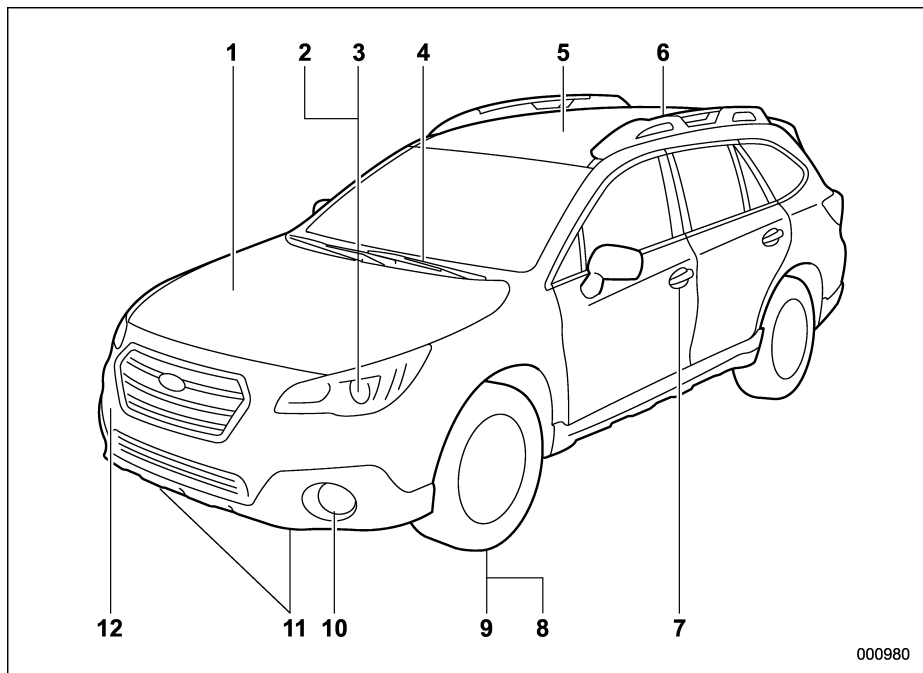


## Table of contents

<i>Seat, seatbelt and SRS airbags</i>	<b>1</b>
<i>Keys and doors</i>	<b>2</b>
<i>Instruments and controls</i>	<b>3</b>
<i>Climate control</i>	<b>4</b>
<i>Audio</i>	<b>5</b>
<i>Interior equipment</i>	<b>6</b>
<i>Starting and operating</i>	<b>7</b>
<i>Driving tips</i>	<b>8</b>
<i>In case of emergency</i>	<b>9</b>
<i>Appearance care</i>	<b>10</b>
<i>Maintenance and service</i>	<b>11</b>
<i>Specifications</i>	<b>12</b>
<i>Consumer information and Reporting safety defects</i>	<b>13</b>
<i>Index</i>	<b>14</b>

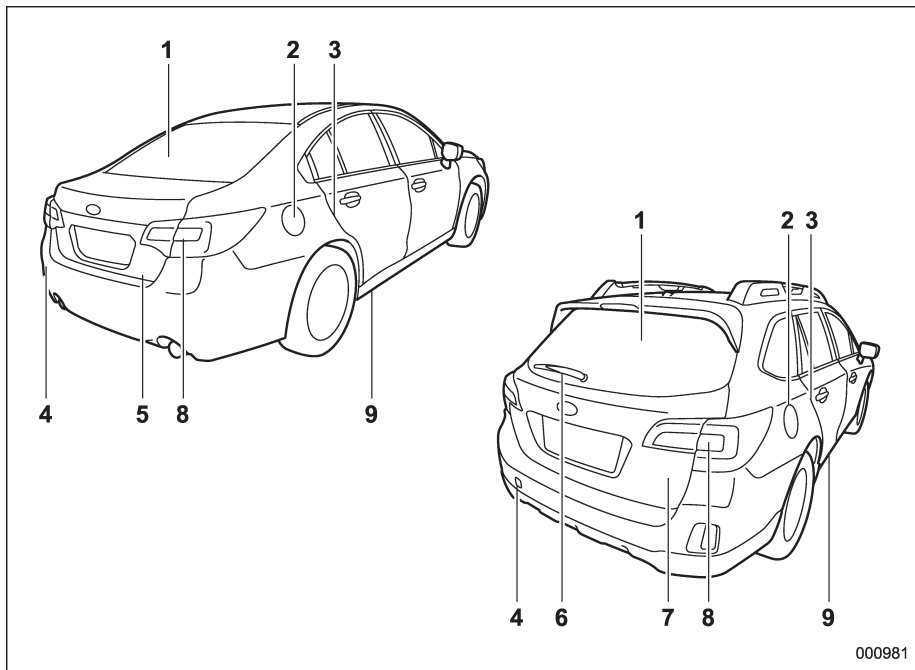
## Illustrated index

### ■ Exterior

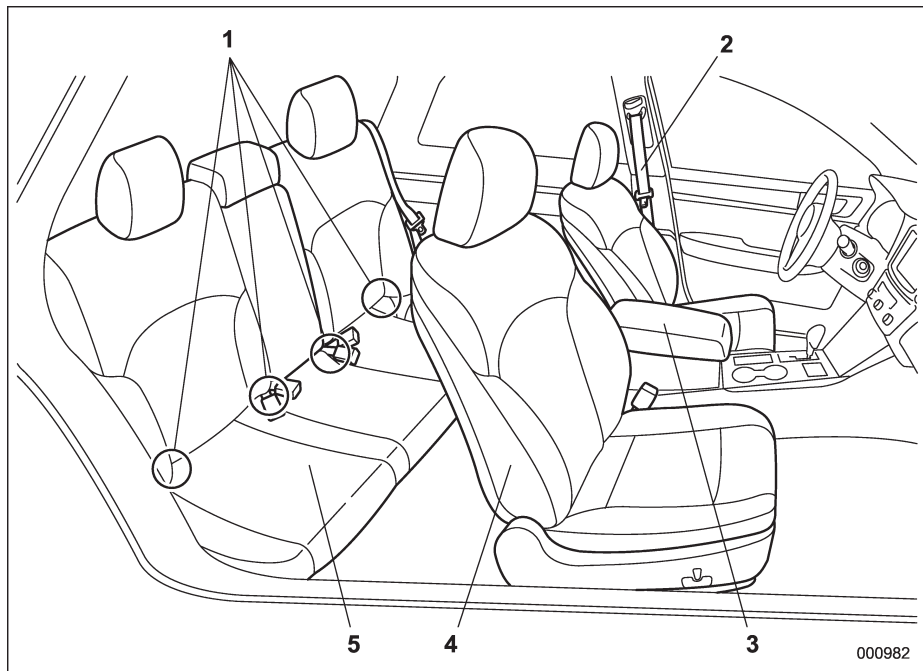


- 1) Engine hood (page 11-7)
- 2) Headlight switch (page 3-42)
- 3) Bulb replacement (page 11-39)
- 4) Wiper switch (page 3-50)
- 5) Moonroof (page 2-46)
- 6) Roof rail with integrated crossbars and rope hook (page 8-14)
- 7) Door locks (page 2-6)
- 8) Tire pressure (page 11-26)
- 9) Flat tires (page 9-5)
- 10) Fog light switch (page 3-47)
- 11) Tie-down hooks (page 9-14)
- 12) Towing hook (Outback) (page 9-14)

000980

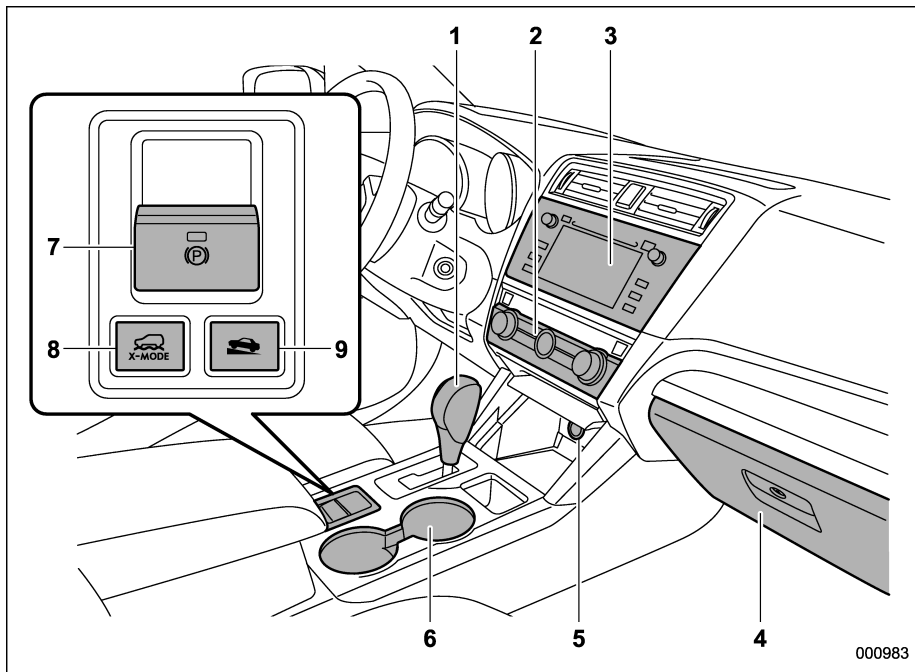


- 1) Rear window defogger switch (page 3-52)
- 2) Fuel filler lid and cap (page 7-4)
- 3) Child safety locks (page 2-32)
- 4) Towing hook (page 9-14)
- 5) Trunk lid (page 2-37)
- 6) Rear wiper switch (page 3-51)
- 7) Rear gate (page 2-39)
- 8) Bulb replacement (page 11-42)
- 9) Tie-down holes (page 9-14)

**Interior****▼ Passenger compartment area**

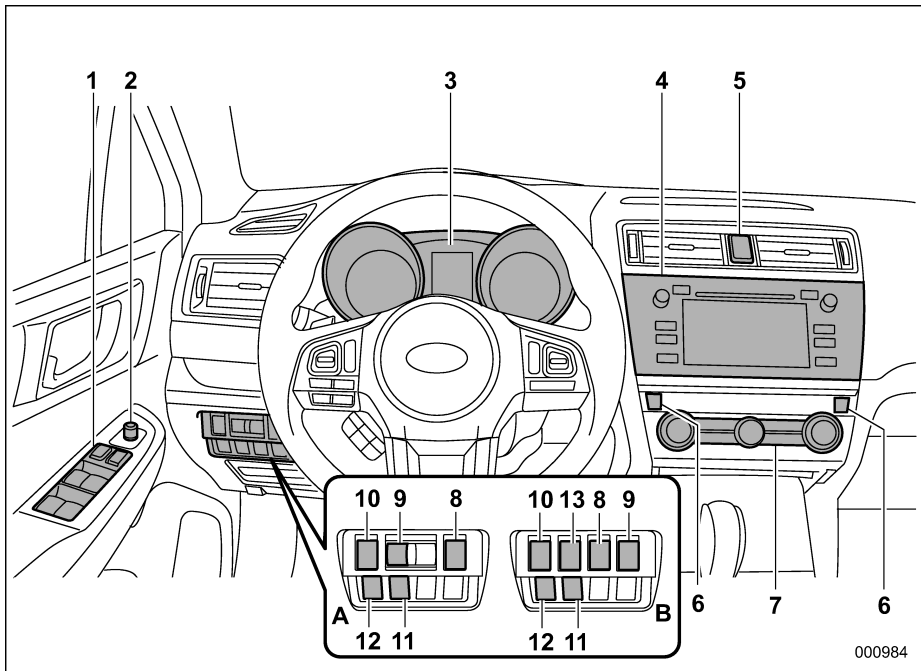
000982

- 1) Lower anchorages for child restraint system (page 1-35)
- 2) Seatbelt (page 1-16)
- 3) Center console (page 6-6)
- 4) Front seat (page 1-2)
- 5) Rear seat (page 1-11)



- 1) Shift lever (MT) (page 7-23)/Select lever (CVT) (page 7-26)
- 2) Climate control (page 4-1)
- 3) Audio (page 5-1)/Navigation system (Refer to the Owner's Manual supplement for the navigation system)
- 4) Glove box (page 6-6)
- 5) Accessory power outlet (page 6-9)
- 6) Cup holder (page 6-7)
- 7) Electronic parking brake switch (page 7-42)
- 8) X-mode switch (page 7-39)
- 9) Hill Holder switch (page 7-45)

## ■ Instrument panel



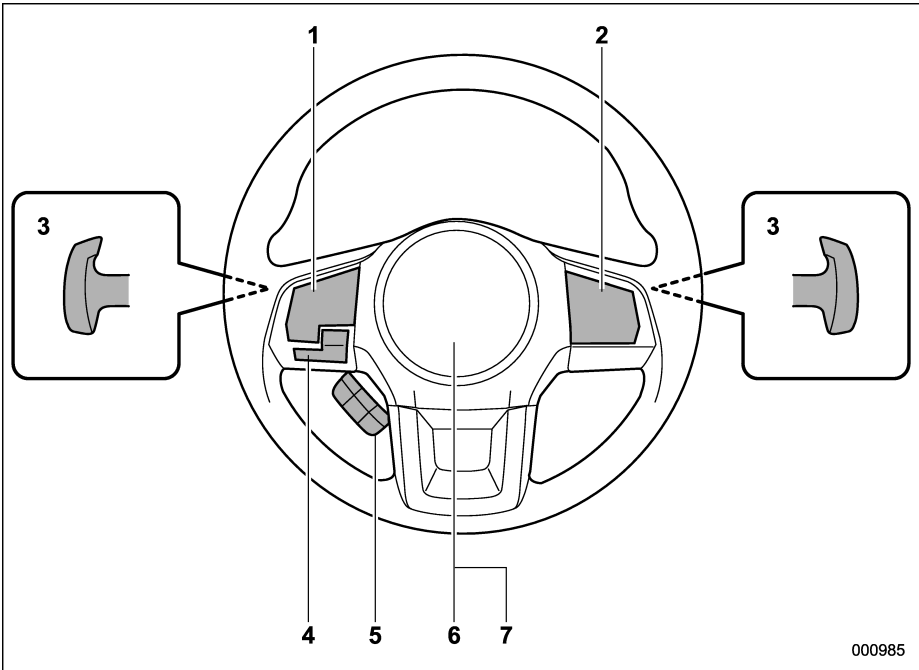
- 1) Power windows (page 2-32)
- 2) Remote control mirror switch (page 3-66)
- 3) Combination meter (page 3-7)
- 4) Audio (page 5-1/Navigation system (Refer to the Owner's Manual supplement for the navigation system)
- 5) Hazard warning flasher switch (page 3-7)
- 6) Seat heater switch (page 1-9)
- 7) Climate control (page 4-1)
- 8) Memory switch (page 2-44)
- 9) Illumination brightness control dial (page 3-46)
- 10) Power rear gate switch (page 2-40)
- 11) SRVD OFF switch (page 7-58)
- 12) Vehicle Dynamics Control OFF switch (page 7-37)
- 13) Steering responsive fog light off switch (page 3-47)

A: Models without EyeSight system  
 B: Models with EyeSight system

### NOTE

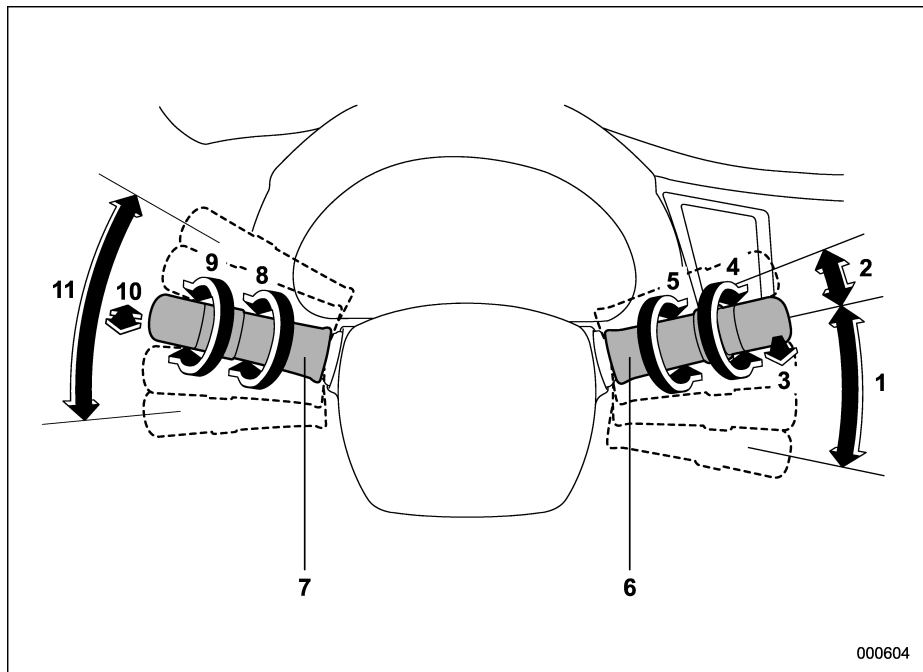
**For models with EyeSight system:**  
 Refer to the Owner's Manual supplement for the EyeSight system.

■ Steering wheel



- 1) Audio control buttons (page 5-18)
- 2) Cruise control (page 7-49)
- 3) Shift paddle (page 7-29)
- 4) Hands-free switches (page 5-84)
- 5) Multi information display control switches (page 3-33)
- 6) SRS airbag (page 1-41)
- 7) Horn (page 3-67)

## ■ Light control and wiper control levers/switches

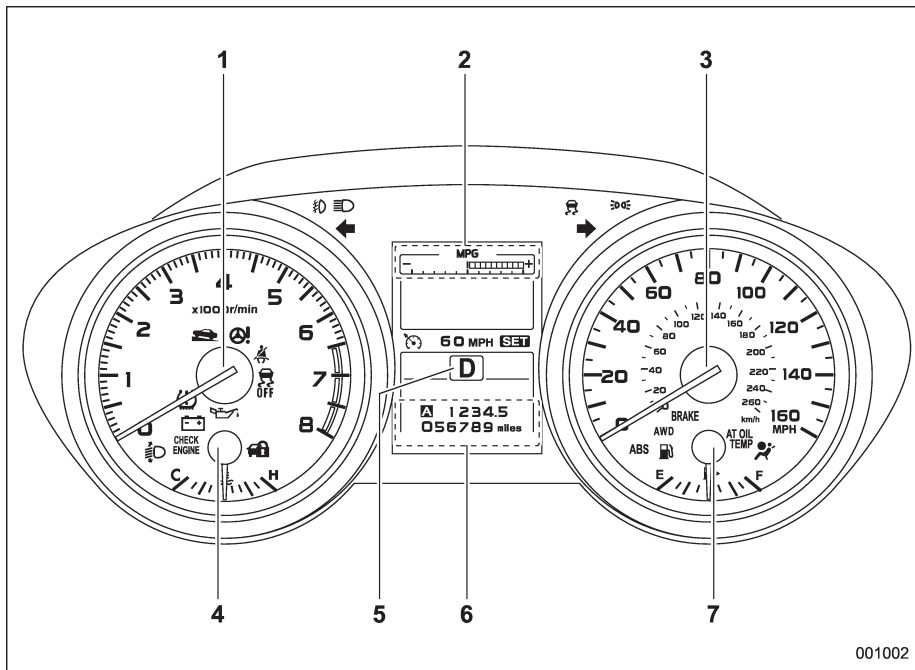


- 1) Windshield wiper (page 3-49)
- 2) Mist (page 3-50)
- 3) Windshield washer (page 3-51)
- 4) Rear window wiper and washer switch (page 3-51)
- 5) Wiper intermittent time control switch (page 3-50)
- 6) Wiper control lever (page 3-50)
- 7) Light control switch (page 3-42)
- 8) Front fog light switch (page 3-47)
- 9) Headlight ON/OFF/AUTO (page 3-42)
- 10) Headlight flasher High/Low beam change (page 3-44)
- 11) Turn signal lever (page 3-46)



## ■ Combination meter

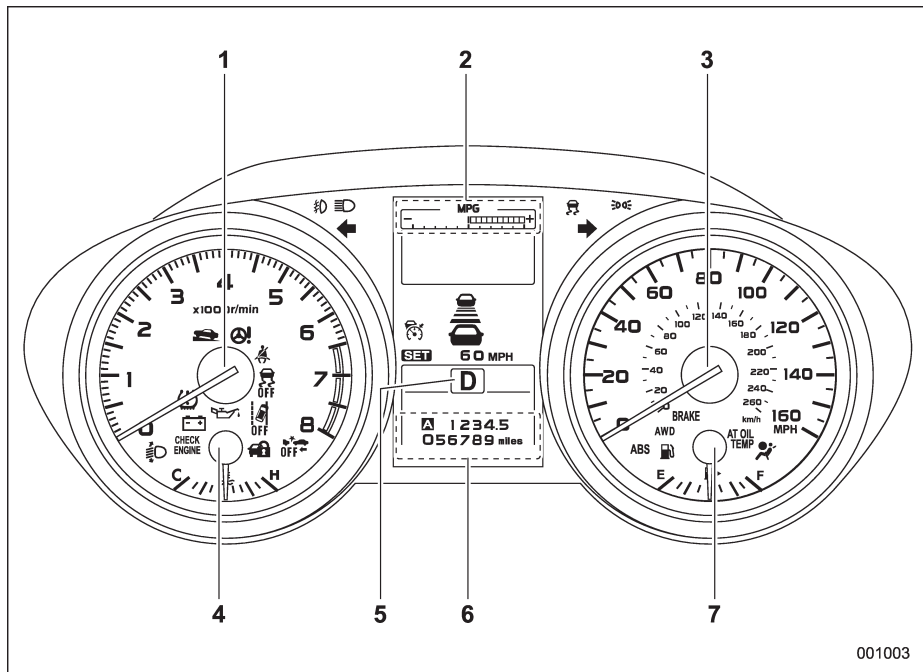
### ▼ U.S. spec. models (type A)



001002

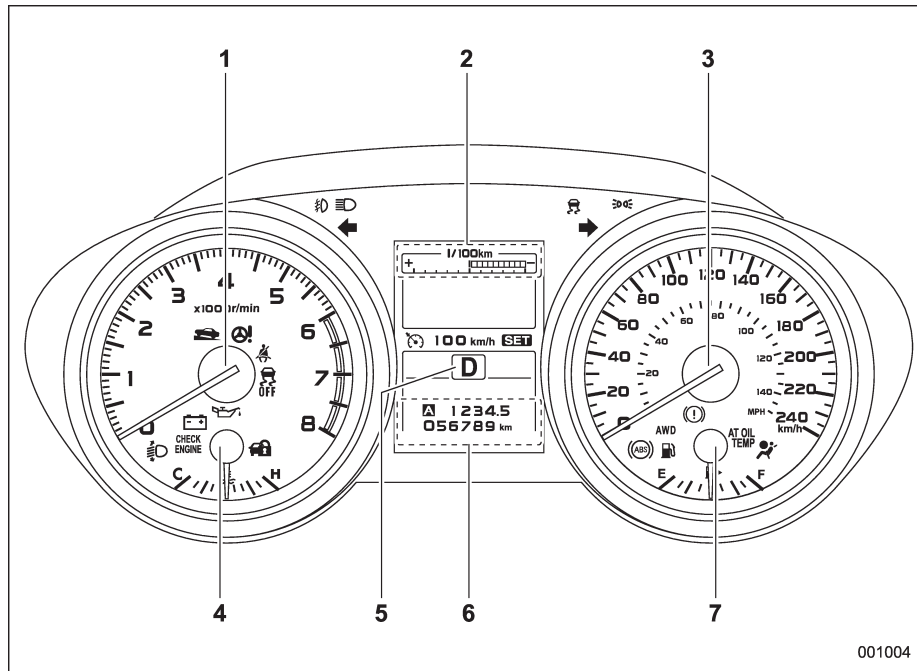
- 1) Tachometer (page 3-9)
- 2) ECO gauge (page 3-11)
- 3) Speedometer (page 3-8)
- 4) Temperature gauge (page 3-11)
- 5) Select lever/gear position indicator (page 3-29)
- 6) Trip meter and odometer (page 3-8)
- 7) Fuel gauge (page 3-10)

## ▼ U.S. spec. models (type B)



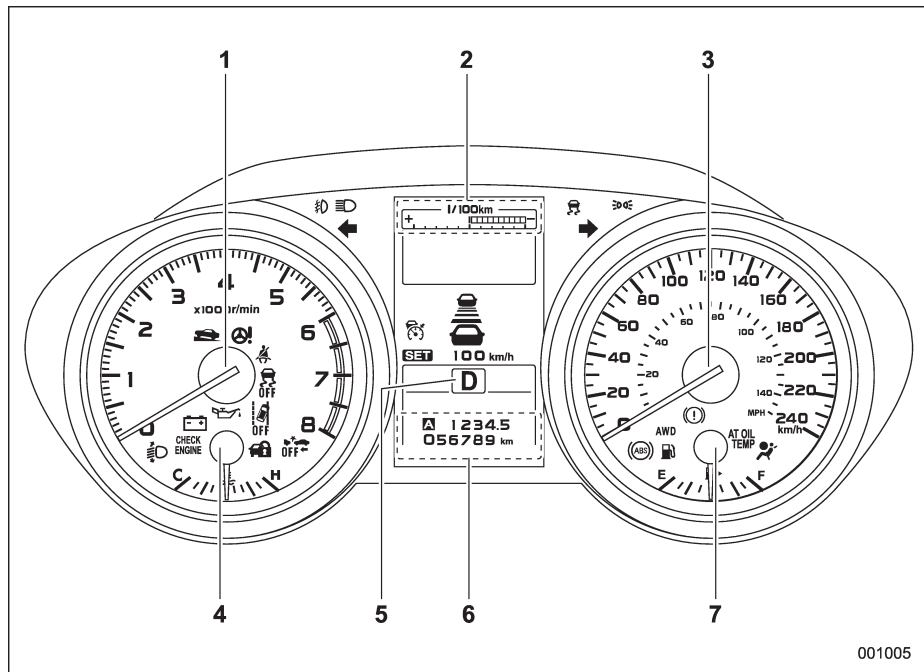
- 1) Tachometer (page 3-9)
- 2) ECO gauge (page 3-11)
- 3) Speedometer (page 3-8)
- 4) Temperature gauge (page 3-11)
- 5) Select lever/gear position indicator (page 3-29)
- 6) Trip meter and odometer (page 3-8)
- 7) Fuel gauge (page 3-10)

▼ Except U.S. spec. models (type A)








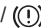












- 1) Tachometer (page 3-9)
- 2) ECO gauge (page 3-11)
- 3) Speedometer (page 3-8)
- 4) Temperature gauge (page 3-11)
- 5) Select lever/gear position indicator (page 3-29)
- 6) Trip meter and odometer (page 3-8)
- 7) Fuel gauge (page 3-10)











## ▼ Except U.S. spec. models (type B)





## ■ Warning and indicator lights

Mark	Name	Page
	Seatbelt warning light	3-12
	Front passenger's seatbelt warning light	3-12
	SRS airbag system warning light	3-14
<b>CHECK ENGINE</b>	CHECK ENGINE warning light/Malfunction indicator light	3-15
	Charge warning light	3-15
	Oil pressure warning light	3-16
	Engine low oil level warning indicator	3-16
<b>AT OIL TEMP</b>	AT OIL TEMP warning light (CVT models)	3-16
ABS / 	ABS warning light	3-18
BRAKE / 	Brake system warning light	3-19

Mark	Name	Page
	Hill Holder indicator light	3-21
	Door open indicator	3-21
	Low fuel warning light	3-21
<b>AWD</b>	All-Wheel Drive warning light (CVT models)	3-21
	Power steering warning light	3-22
	Vehicle Dynamics Control warning light/Vehicle Dynamics Control operation indicator light	3-22
	Vehicle Dynamics Control OFF indicator light	3-23
	Access key warning indicator (if equipped)	3-24
	Security indicator light	3-28
	Turn signal indicator lights	3-29
	High beam indicator light	3-29

Mark	Name	Page
	Automatic headlight beam leveler warning light (if equipped)	3-29
	Front fog light indicator light (if equipped)	3-30
	Cruise control indicator	3-29
<b>SET</b>	Cruise control set indicator	3-29
	X-mode indicator (if equipped)	3-30
	Hill descent control indicator (if equipped)	3-30
	Headlight indicator light	3-30
	Low tire pressure warning light (U.S. spec. models)	3-17
ON / 	Front passenger's frontal airbag ON indicator light	3-14
OFF / 	Front passenger's frontal airbag OFF indicator light	3-14
	Windshield washer fluid warning indicator	3-21

Mark	Name	Page
<b>SRF OFF</b>	Steering responsive fog lights OFF indicator (if equipped)	3-30
	SUBARU Rear Vehicle Detection warning indicator (if equipped)/ SUBARU Rear Vehicle Detection OFF indicator (if equipped)	3-30
	Icy road surface warning screen	3-30

## Function settings

A SUBARU dealer can change the settings of the functions shown in the following table to meet your personal requirements. Contact the nearest SUBARU dealer for details.

Item	Function	Possible settings	Default setting
Alarm system	Alarm system	Operation/Non-operation	Operation
	Monitoring start delay time (after closing doors)	0 seconds/30 seconds	30 seconds
	Impact sensor operation (only models with shock sensors (dealer option))	Operation/Non-operation	Non-operation
	Map light/Dome light/Cargo area light illumination	ON/OFF	OFF
Keyless access with push-button start system <sup>1</sup>	Hazard warning flasher	Operation/Non-operation	Operation
	Audible signal <sup>2</sup>	Operation/Non-operation	Operation
	Audible signal volume	Level 1 to 7	Level 5
	Door unlock selection (driver's door unlock)	Driver's door only/All doors	Driver's door only
	Door unlock selection (rear gate unlock)	Rear gate/trunk only/All doors	Rear gate/trunk only
Remote keyless entry system	Hazard warning flasher	Operation/Non-operation	Operation
Key lock-in prevention	Key lock-in prevention	Operation/Non-operation	Operation
Defogger and deicer system	Rear window defogger, outside mirror defogger and windshield wiper deicer	Operation for 15 minutes/Continuous operation	Operation for 15 minutes
Map light/Dome light/Cargo area light	Operation of map light/dome light/cargo area light OFF delay timer	OFF/Short/Normal/Long	Long
Battery drainage prevention function	Battery drainage prevention function	Operation/Non-operation	Operation
Seatbelt warning	Sounds a chime while driving	Operation/Non-operation	Operation

Item	Function	Possible settings	Default setting
Auto on/off headlights	Sensitivity of the operation of the auto on/off headlights	Min/Low/Mid/Max	Mid
Auto dimmer cancel	Sensitivity of the operation of the auto dimmer cancel	OFF/Min/Low/Mid/Hi/Max	Mid
Welcome lighting function	Welcome lighting function (when approaching)	OFF/30 seconds/60 seconds/90 seconds	30 seconds
	Welcome lighting function (when exiting)	OFF/30 seconds/60 seconds/90 seconds	30 seconds
Reverse gear interlocked rear wiper	Reverse gear interlocked rear wiper operation	Operation/Non-operation	Canada-spec. models: Operation Other models: Non-operation
One-touch lane changer	Operation of the one-touch lane changer	Operation/Non-operation	Operation

\*1: If equipped

\*2: This setting also works as the ON/OFF setting of the power rear gate buzzer for starting operation. However, you cannot change the warning buzzer setting for a detecting jam, etc.