

Avid® Disc Brake Caliper Mounting Bracket and Spacer Configurations

Use the chart below to identify the parts you intend to use, then reference the chart on the reverse side to determine the correct bracket and/or spacers. Consult your retailer for the proper rotor sizes for your bicycle.

Fork/Frame Mount

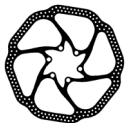
The mounting specification is determined by the fork/frame manufacturer and is not a reference to the rotor size. Consult your manufacturer for the proper mounting specification.

Fork	140 Post (road)
	160 IS
	160 Post
	Totem Post

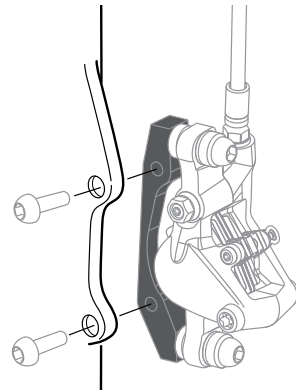
Frame	140 IS
	140 Post
	160 Post
	180 Post

Rotor Size (mm)

140, 160, 170, 180, 200, or 203



IS Mount

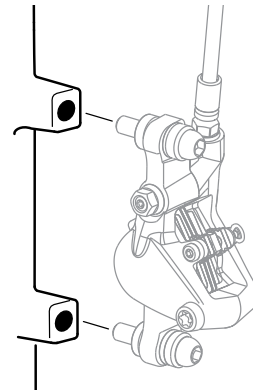


IS Bracket (IS)

Converts IS to Post Mount, required for all IS frames/forks.



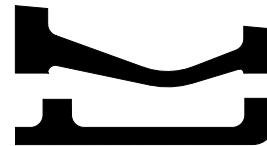
Post Mount



Direct Mount (Direct)

No bracket or spacers needed.

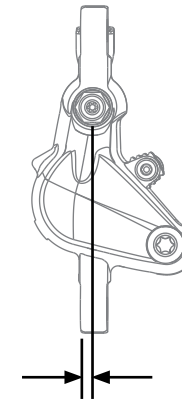
Post Brackets (P)



Post Spacers (S)



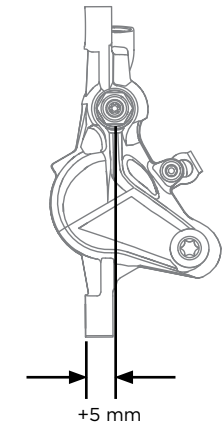
CPS



Inline tabs

CPS washers are needed between caliper and mount.

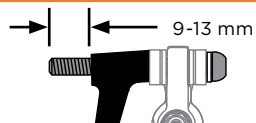
Standard



Offset tabs

No CPS washers are needed between caliper and mount (unless otherwise specified).

⚠ WARNING - CRASH HAZARD



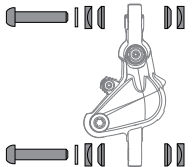
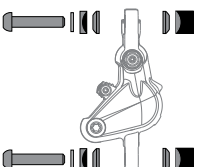
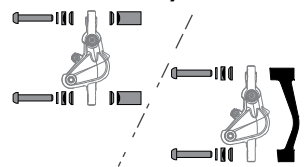
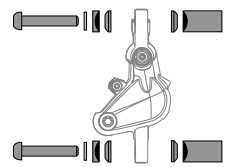
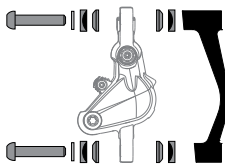
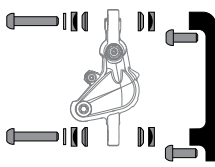
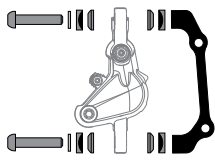
There must be 9-13 mm of mounting bolt thread engagement when mounting brake calipers to forks and frames either with or without brackets and/or spacers. Riding a bike with improper bolt engagement can allow the brakes to disengage from the bicycle, which can lead to a crash and serious injury or death to the rider.

Avid® Disc Brake Caliper Mounting Bracket and Spacer Configurations

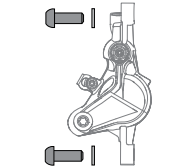
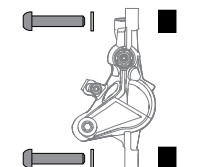
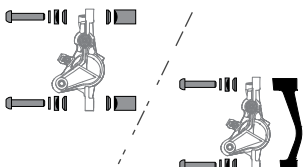
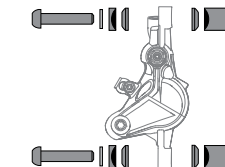
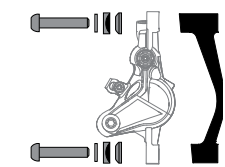
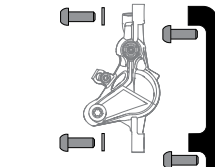
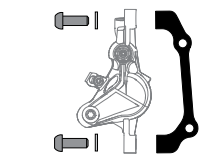
Fork/Frame	Rotor Size (mm)						
	140 mm	160 mm	170 mm	180 mm	185 mm	200 mm	203 mm
140 IS	0 IS	20 IS	30 IS	40 IS	45 IS	60 IS	-
140 Post	0 Direct	20 S/20 P*	30 P	40 P	-	-	-
160 IS	-	0 IS	-	20 IS	25 IS	40 IS	-
160 Post	-	Direct	10 S	20 S/20 P*	25 S	40 P	-
180 Post	-	-	-	Direct	-	20 S/20 P*	-
Totem Post	-	-	-	-	-	-	Direct

*20 P is only available on products from the Original Equipment bicycle Manufacturer (OEM)

CPS

Direct	10 S	20 S/20 P*	25 S	30 P	40 P	IS
						
Upper Bolt: 29 mm	Upper Bolt: 37.5 mm	Upper Bolt: 43 mm	Upper Bolt: 46 mm	Upper Bolt: 50 mm	Upper Bolt: 29 mm	Upper Bolt: 29 mm
Upper Spacer: N/A	Upper Spacer: 12.5 mm	Upper Spacer: 17.5 mm (20 P: N/A)	Upper Spacer: 20.5 mm	Upper Spacer: N/A	Upper Spacer: N/A	Upper Spacer: N/A
Lower Bolt: 29 mm	Lower Bolt: 32 mm	Lower Bolt: 37.5 mm	Lower Bolt: 40.5 mm	Lower Bolt: 43 mm	Lower Bolt: 29 mm	Lower Bolt: 29 mm
Lower Spacer: N/A	Lower Spacer: 7.5 mm	Lower Spacer: 12.5 mm (20 P: N/A)	Lower Spacer: 15 mm	Lower Spacer: N/A	Lower Spacer: N/A	Lower Spacer: N/A
Direct Post Mount	10 Post Spacer	20 Post Spacer/20 Post Bracket	25 Post Spacer	30 Post Bracket	40 Post Bracket	0 IS, 20 IS, 30 IS, 40 IS, 60 IS

Standard

Direct	10 S	20 S/20 P*	25 S	30 P	40 P	IS
						
Upper Bolt: 16.8 mm	Upper Bolt: 24 mm	Upper Bolt: 37.5 mm	Upper Bolt: 43 mm	Upper Bolt: 46 mm	Upper Bolt: 16.8 mm	Upper Bolt: 16.8 mm
Upper Spacer: N/A	Upper Spacer: 6 mm	Upper Spacer: 12.5 mm (20 P: N/A)	Upper Spacer: 17.5 mm	Upper Spacer: N/A	Upper Spacer: N/A	Upper Spacer: N/A
Lower Bolt: 16.8 mm	Lower Bolt: 24 mm	Lower Bolt: 32 mm	Lower Bolt: 37.5 mm	Lower Bolt: 37.5 mm	Lower Bolt: 16.8 mm	Lower Bolt: 16.8 mm
Lower Spacer: N/A	Lower Spacer: 6 mm	Lower Spacer: 7.5 mm (20 P: N/A)	Lower Spacer: 10 mm	Lower Spacer: N/A	Lower Spacer: N/A	Lower Spacer: N/A
Direct Post Mount	10 Post Spacer	20 Post Spacer/20 Post Bracket	25 Post Spacer	30 Post Bracket	40 Post Bracket	0 IS, 20 IS, 30 IS, 40 IS, 60 IS