

SRAM

**SRAM**<sup>®</sup>  
MY18 Distributor Price List

(english) **spare parts catalog**

---

## SRAM® ORIGINAL PARTS

### CAUTION:

The SRAM Warranty policy does not cover damages caused by the use of non-SRAM parts.

Use only SRAM parts with SRAM components.

Installation of parts and accessories not originally intended could result in less than optimal performance and/or injury.

For in-depth service information on SRAM products, refer to our website at [www.sram.com/service](http://www.sram.com/service). Contact your local SRAM distributor or dealer for ordering information.

Information contained in this publication is subject to change at any time without prior notice. Your product's appearance may vary from the diagrams contained in this catalog.



# TABLE OF CONTENTS

## REAR DERAILLEURS - ROAD

- 6 Red eTap
- 7 Red 22
- 8 Red 2013
- 9 Red (2008-2011)
- 10 Force 22 / Rival 22
- 11 Force1 / CX1 (2014)
- 12 Rival1
- 13 Apex1/NX
- 14 Force / Rival / Apex (2007-2012)



## FRONT DERAILLEURS - ROAD

- 15 Red eTap
- 16 Red 22 / Red 2013 / Force 22 / Rival 22
- 17 Force / Rival / Apex (2007-2012)



## SHIFTERS / LEVERS - ROAD

- 18,19 HRD/HRR Red 22 B1 / Force 22
- Force CX1 / Rival 22 / Rival 1 / 700 B1
- 20 Red eTap
- 21 Red eTap HRD
- 22 Red 22 / Red 2013
- 23 Red (2008-2011)
- 24 Force 22 / Force CX1 / Force 1 / Rival 22 / Rival 1
- 25 Force / Rival / Apex (2007-2012)
- 26 DoubleTap® Road Trigger Shifter (2008-2012)
- 27 Time Trial Brake Lever (2008-2012)
- 28 Time Trial Shifter (2008-2016)



## BRAKE CALIPERS - ROAD

- 29 Red Etap HRD
- 30 Red 22 B1 / Force 22 / Force 1 / CX1 / Rival 1 / Rival 22 / 700 B1 HRD / Apex 1 / HRR Calipers
- 31 Red 2013
- 32 Red - Force (2008-2011)
- 33 Force / Rival / Apex (2007-2012)



## CRANKS - ROAD

- 34 Red 22 / Red 2013 / Red / Force 22 / Force CX1
- Force 1 / Force / Rival 22 / Rival / Apex
- 35 950 / 900 / 800 / 550 / 500 / 300 / 100



## CHAINRINGS - ROAD

- 36 Aero / Red X-Glide / X-Glide / X-Sync



## SPIDERS / CASSETTES / BOTTOM BRACKET - ROAD

- 37 PG 1050 / OG 1070 / OG 1090 / XG 1090



## WHEELS - ROAD

- 38 Spokes / Nipples / Hubs / Freehub Bodies
- Decals / Tools



## HUBS - MTB

- 39 406
- 40 506
- 41 716/46
- 42 X7
- 43 X9
- 44,45 900
- 46 X0 (2015-2018) A1
- 47 Predictive Steering



## WHEELS - MTB

- 48,49 Rise 60 (B1) (2015-2018)
- 50,51 Rise 40/60 (A1) (2012-2014)
- 52,53 Rise XX A1 (2015-2017)
- 54,55 Roam 30/40 (2015-2017)
- 56,57 Roam 50 29" (2017-2018)
- 58,59 Roam 60 27.5" (B1 2017-2018)
- 60,61 Roam 50/60 (2014-2016) A1
- 62,63 Rail 40 (A1 2015-2016)
- 64,65 Rail 50 (A1 2014-2016)
- 66,67 Maxle



## REAR DERAILLEURS - MTB

- 68 XX1 / X01 Eagle
- 69 XX1 / X01 / X01DH / X1 / EX1 (2013-Preset) 1x
- 70 XX (2010-2012) 2x10
- 71 X0 / X9 / X7 Type 2/2.1 (2013-Present) 2x10
- 72 X0 / X9 / X7 / ViaGT (2011-2013) 2x10, 3x10
- 73 X0 3x9 (2006-2013)
- 74 GX 2x10 Type 2.1
- 75 GX 2x11 Type 2.1
- 76 GX 1x11, GX DH 1X7 Type 2.1
- 77 GX Eagle
- 78 X9 / X7 (2010) 3x9
- 79 X9 (2007-2009) 3x9
- 80 X9 / X7 DualDrive 27 (2005-2006) 3x9
- 81 X7 (2007-2009) 3x9
- 82 X9 / X7 (2004-2009) 3x9
- 83 X5 / X4 (2008-2009) X5 / 2012 SX4, SX3, Dual Drive
- 84 5.0 3x9



## FRONT DERAILLEURS - MTB

- 85 X5 (2012) / X7 / X-Gen (2005-2010)



## TRIGGER SHIFTERS - MTB

- 86 XX1 Eagle
- 87 X01 Eagle
- 88 XX1 / X01 / X01DH 1x11, X1 / EX1
- 89 XX 2x10 (2010-2012)
- 90 X0 / X9 / X7 B1
- 91 X0 2x10, 3x10 (2011-2012)
- 92 X0 3x9 (2006-2012)
- 93 GX Eagle, 2x10, 2x11, GX DH 1X7
- 94 X9 / X7 / X5 / ViaGT 2x10, 3x10 (2011-2012)
- 95 X9 (2007-2010) 3x9 3X10
- 96 X7 3x9 (2010)
- 97 X7 (2007-2009) / X9 (2006) 3x9
- X9 (2005) / X7 (2005-2006) / X5 / X-Gen (08-09) 3x9



## TWIST SHIFTERS - MTB

- 98 XX1 Eagle / XX1 / XX / X0 / X01 Grip Shift
- 99 GX 2x11, 1x11, NX
- 100 X0 / X9 / X7 / Rocket / Attack 3x9 (2005-2011)
- 101 3.0 Comp / 3.0 / MRX Comp / MRX




## CRANK / CHAINRINGS

- 102 XX1 / X1 / X0 / X01 / X01DH / X9 / X7 / GX / NX Left Crank Arm
- 103 Spider / Bottom Bracket / Crank / Cassette
- 104 2X10 / 3X10 / 3X9 - Crank / Chain Rings MTB
- 105 X-Sync 2 / X-Sync / 2x11 Chainrings



## TABLE OF CONTENTS

### DISC BRAKES - LEVERS

- 106 DB1 (A1 2015-2016)
- 107 DB3 (A1 2015-2016)
- 108 DB5 (A1 2015-2016)
- 109 Level (A1 2017-2018)
- 110 Level T (A1 2017-2018)
- 111 Level TL (A1 2017-2018)
- 112 Level TLM (A1 2017-2018)
-  113 Level Ultimate (A1 2017-2018)
- 114 Guide R (A1-B1 2015-2018)
- 115 Guide RE (A1 2017-2018)
- 116 Guide RS (A1-B1 2015-2017)
- 117 Guide RSC (A1-B1 2015-2018)
- 118 Guide Ultimate
- 119 Code R (2018)
- 120 Code RSC (2018)
- 121,122 X0 (A1 2013-2016)
- 123 XX World Cup (A1 2011-2016)

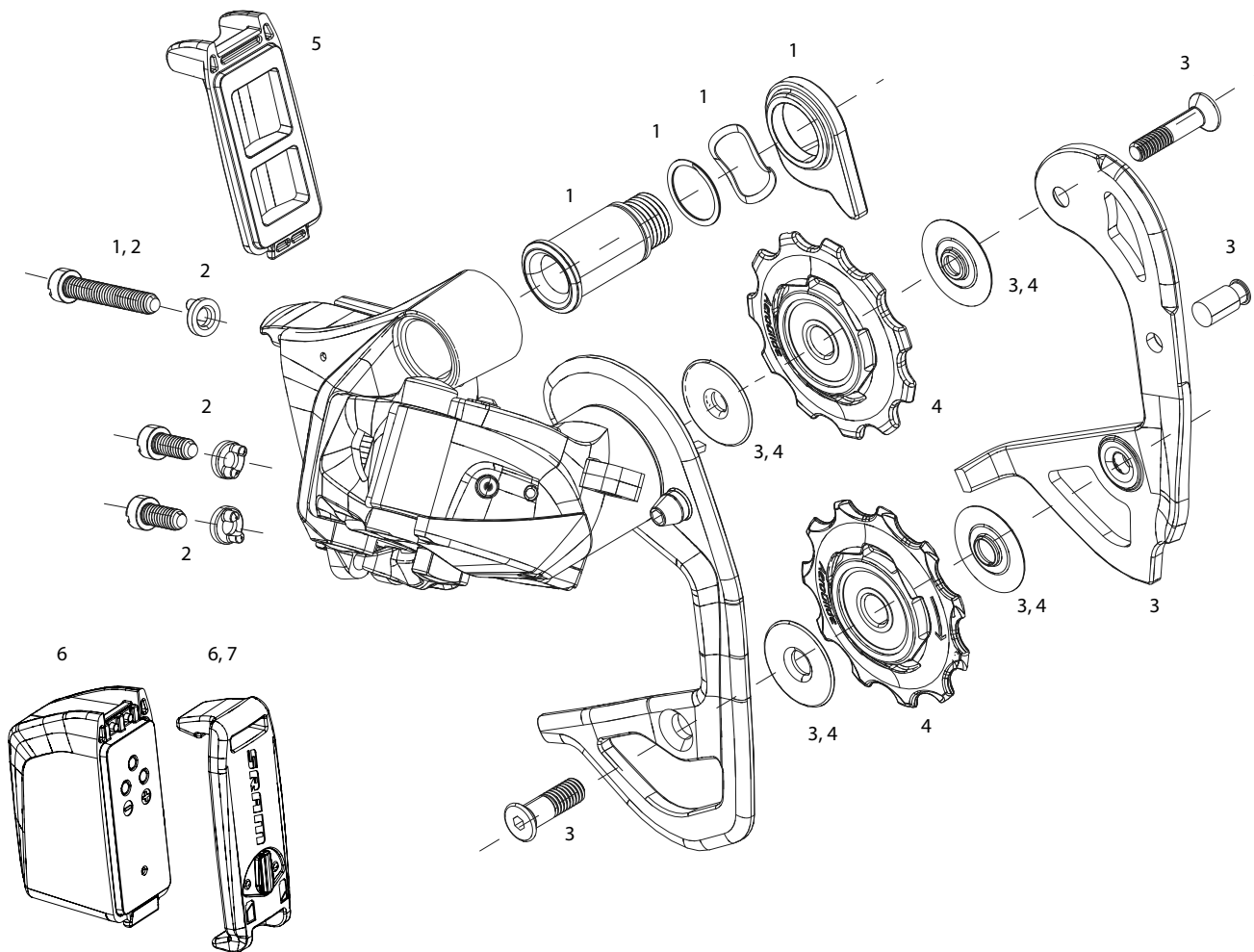
### DISC BRAKES - CALIPERS

- 124 DB1 (A1 2015-2016)
- 125 DB3 (A1 2015-2016)
- 126 DB5 (A1 2015-2016)
- 127 Level (A1 2017-2018)
- 128 Level T (A1 2017-2018)
- 129 Level TL (A1 2017-2018)
- 130 Level TLM (A1 2017-2018)
- 131 Level Ultimate (A1 2017-2018)
- 132 Guide R/RS (A1 2015-2016)
- 133 Guide R/RS S4 (B1 2017-2018)
- 134 Guide RE (A1 2017-2018)
- 135 Guide RSC (A1 2015-2016)
- 136 Guide RSC (B1 2017-2018)
- 137 Guide Ultimate (A1 2016-2018)
- 138 Code R (B1 2018)
- 139 Code RSC (A1 2018)
- 140 X0 (2011-2016)
- 141 XX / XX World Cup (2010-2016)

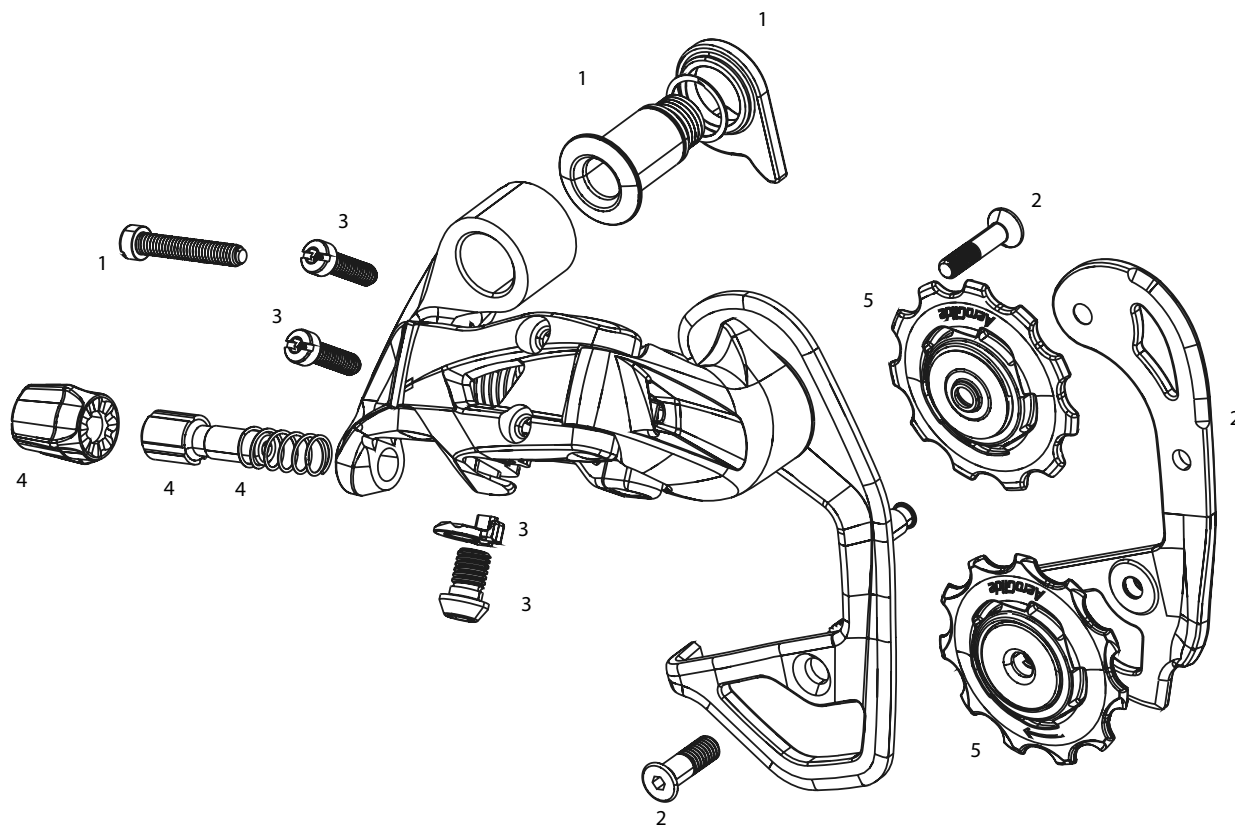


### ROTORS / MOUNTING BRACKETS / HARDWARE / TOOLS

- 142 Rotors
- 143-146 Mounting Brackets / Hardware
- 146 Flat Mount Road Brackets / Hardware
- 147 Matchmaker / Brake Pads / Hydraulic Line Fittings
- 148 Bleed Kits / Tools / Fluid / Grease
- 149 Replacement Kits for Hydro Brake Tackle Box

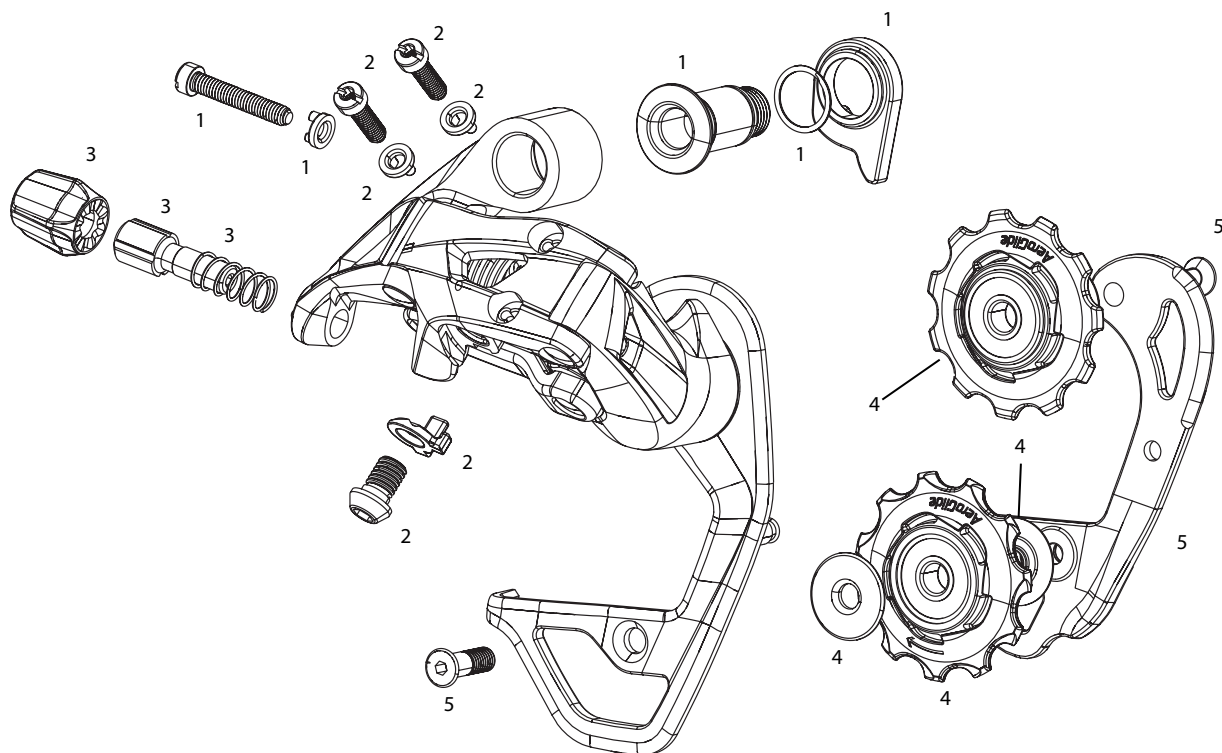


No.	Part Number	Description
1	11.7518.063.000	Red eTap Rear Derailleur B-Bolt/B-Screw
2	11.7518.064.000	Red eTap Rear Derailleur Limit Screws
3	11.7518.085.000	Red eTap Rear Derailleur Medium Inner Cage with Screws
3	11.7518.065.000	Red eTap Rear Derailleur Inner Cage with Screws
4	11.7518.066.000	Red eTap Rear Derailleur Pulleys Ceramic 11 Speed
5	11.7618.005.000	Red eTap Battery Block Front/Rear Derailleur Qty 1
6	00.3018.102.000	SRAM eTAP Battery Qty 1
7	11.7618.006.000	SRAM eTap Battery Terminal Cover Qty 1



No. Part Number Description

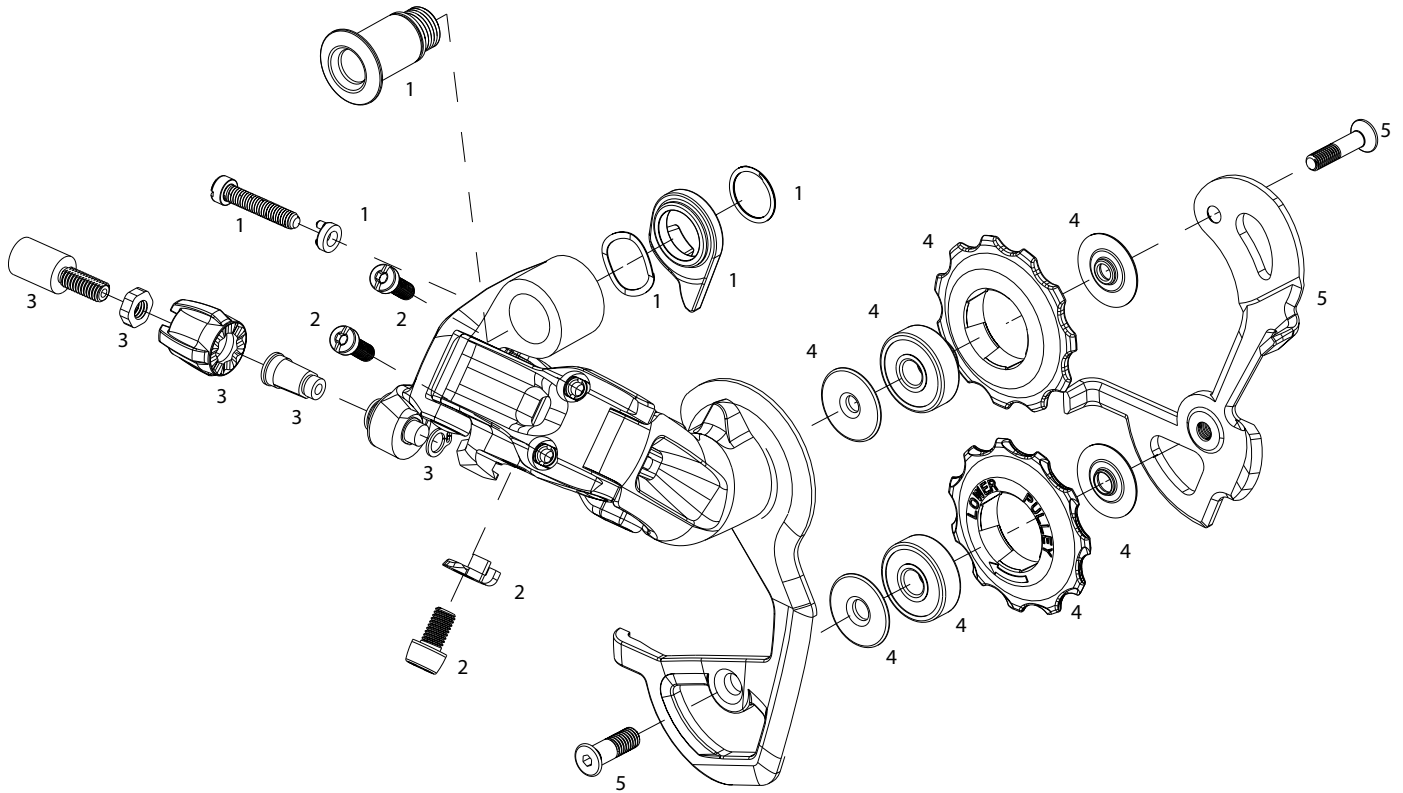
- 1 11.7518.020.000Red22 Rear Derailleur B-Bolt/B-Screw
- 2 11.7518.013.001Red 13/22 Rear Derailleur Inner Cage with Mounting Bolts
- 2 11.7518.013.002Red 13/22 Rear Derailleur Medium Inner Cage with Mounting Bolts
- 3 11.7518.001.000Red 13/22 Aero Glide Rear Derailleur Cable Anchor/Limit Screw
- 4 11.7518.002.000Red 13/22 Force22 Aero Glide Rear Derailleur Barrel Adjuster
- 5 00.7518.014.000BlackBox Ceramic Bearing Pulleys – AeroGlide Road



No. Part Number Description

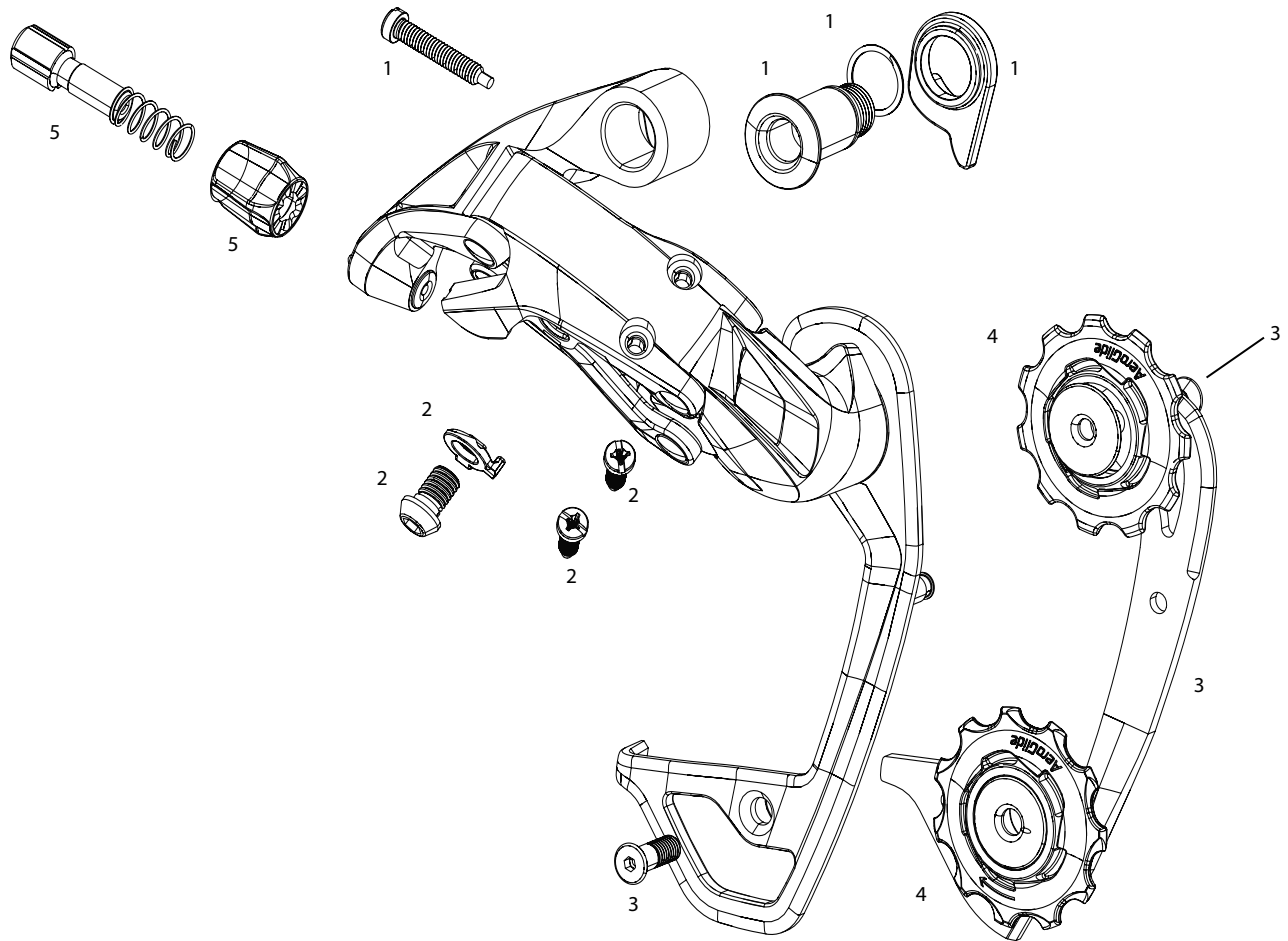
- 1 11.7518.000.000Red 13 Aero Glide Rear Derailleur B-Bolt/B-Screw
- 2 11.7518.001.000Red 13/22 Aero Glide Rear Derailleur Cable Anchor/Limit Screw
- 3 11.7518.002.000Red 13/22 Force22 Aero Glide Rear Derailleur Barrel Adjuster
- 4 00.7518.014.000BlackBox Ceramic Bearing Pulleys – AeroGlide Road
- 5 11.7518.013.001Red 13/22 Rear Derailleur Inner Cage with Mounting Bolts
- 5 11.7518.013.002Red 13/22 Rear Derailleur Medium Inner Cage with Mounting Bolts





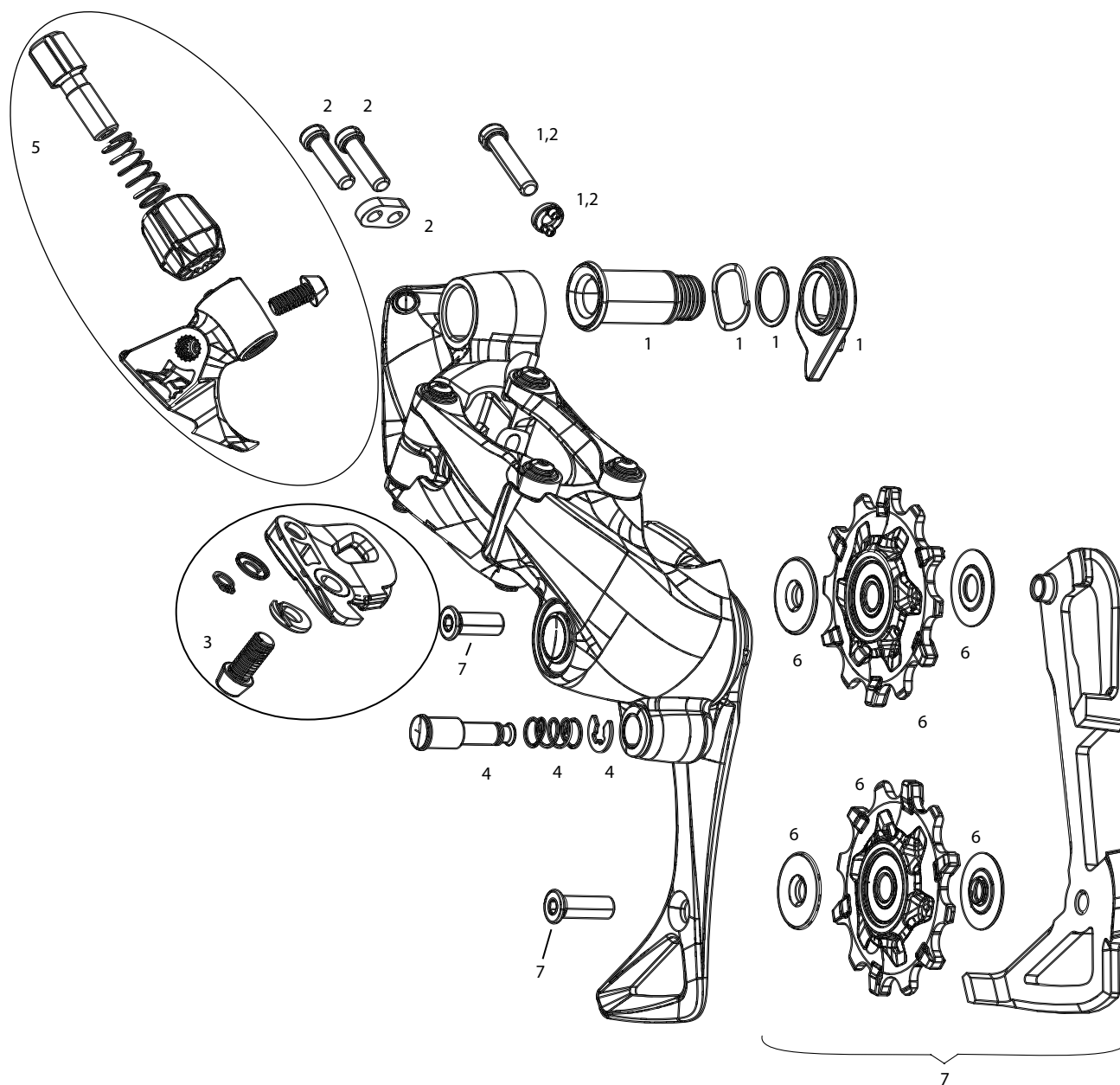
No. Part Number Description

- 1 11.7515.016.000Red Rear Derailleur B-Bolt Kit
- 1 11.7515.068.000Red Black Rear Derailleur B-Bolt Kit
- 2 11.7515.017.000Red Rear Derailleur Cable Anchor/Limit Screw
- 3 11.7515.018.000Red Rear Derailleur Barrel Adjuster Kit
- 3 11.7515.070.000Red Black Rear Derailleur Barrel Adjuster Kit
- 4 00.7518.014.000BlackBox Ceramic Bearing Pulleys – AeroGlide Road
- ns 11.7515.034.000Rear Derailleur Limit Screw Plugs Qty 10 (Red, Force, Rival, X-0)
- 5 11.7518.013.000Red Rear Derailleur Inner Cage with Mounting Bolts



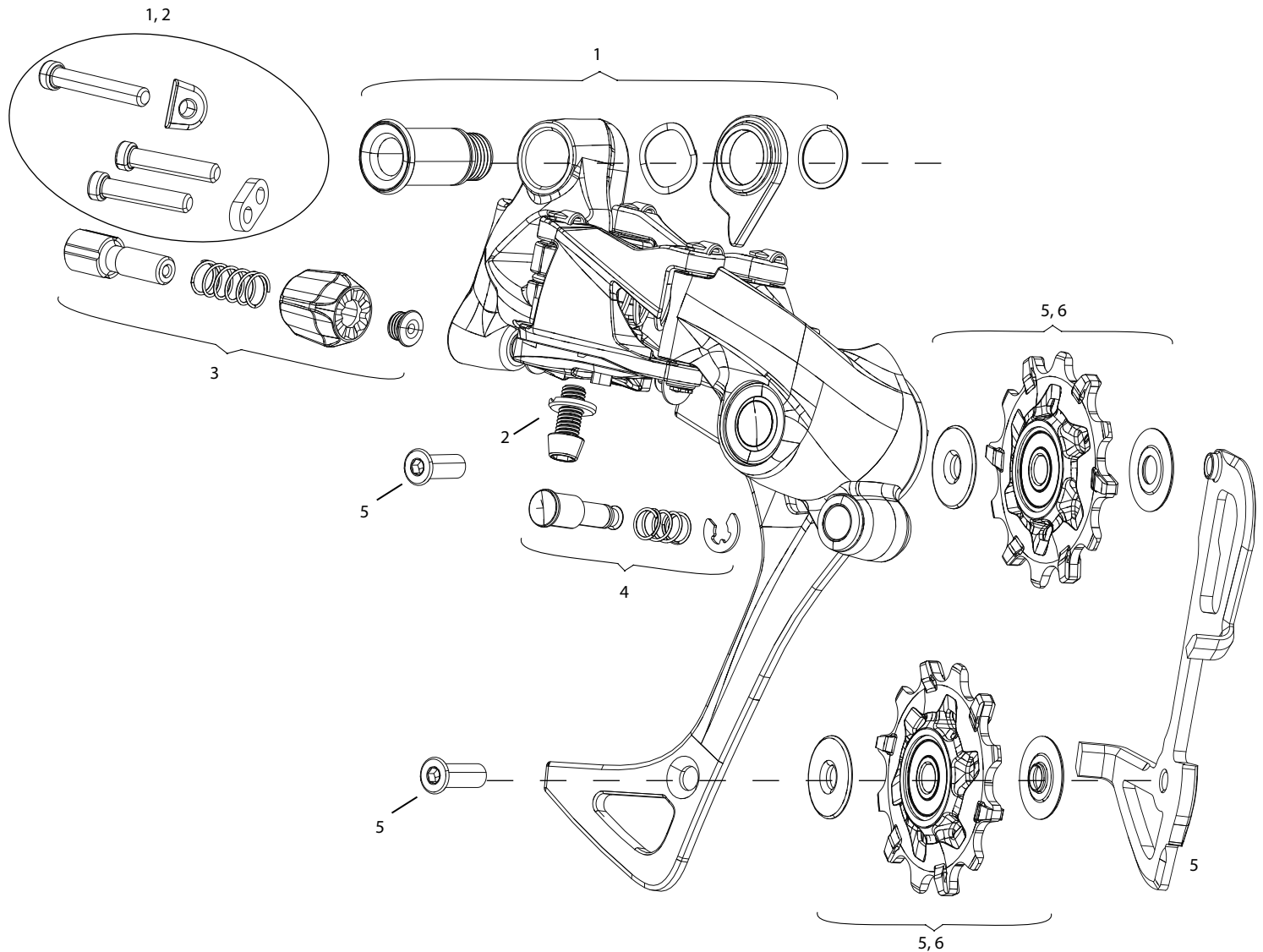
No. Part Number Description

- 1 11.7518.021.000Force22 Rear Derailleur B-Bolt/B-Screw
- 2 11.7518.023.000Force22 Rear Derailleur Cable Anchor/Limit Screws
- 2 11.7518.035.000Rival22 Cable Anchor and Limit Screws
- 3 11.7518.025.000Force22 Rear Derailleur Inner Cage with Mounting Bolts
- 3 11.7518.025.001Force22 Rear Derailleur Medium Inner Cage with Mounting Bolts
- 3 11.7518.036.000Rival22 Pulleys and Inner Cage - Medium
- 4 11.7518.026.000Force22 Rear Derailleur Pulley Kit
- 5 11.7518.002.000Red 13/22 Force22 Aero Glide Rear Derailleur Barrel Adjuster
- 5 11.7518.038.000Rival22 Rear Derailleur Barrel Adjuster



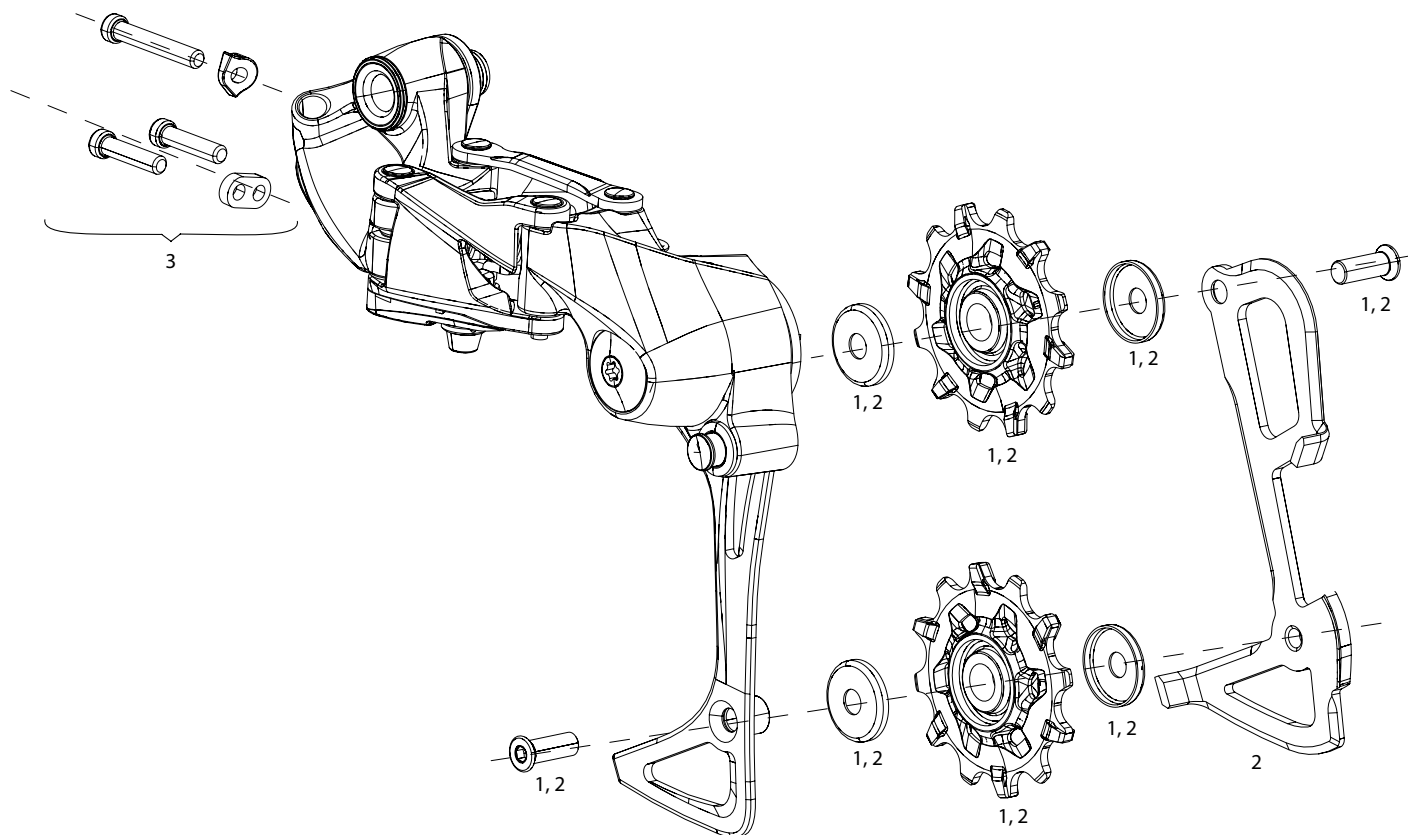
No. Part Number Description

- 1 11.7518.039.000 Force CX1 Rear Derailleur B.Bolt Kit
- 2 11.7518.034.000 RD X01 and X01DH B.Screw and Limit Screw Kit
- 3 11.7518.041.000 Force CX1 Rear Derailleur Fin and Cable Anchor Bolt
- 4 11.7518.012.000 XX1/X01/DH/X0/CX1/X1/X9/X7 Type 2/2.1 Cage Lock with Spring Qty 1
- 5 11.7518.040.000 Force CX1 Barrel Adjuster and Holder
- 6 11.7518.032.000 RD X01/X01DH/X1/CX1 X.Sync Pulley Assembly
- 7 11.7518.059.000 Rear Derailleur GX 1X11/Force1/Rival1 Type 2.1 Cage and Pulley Kit Long Cage



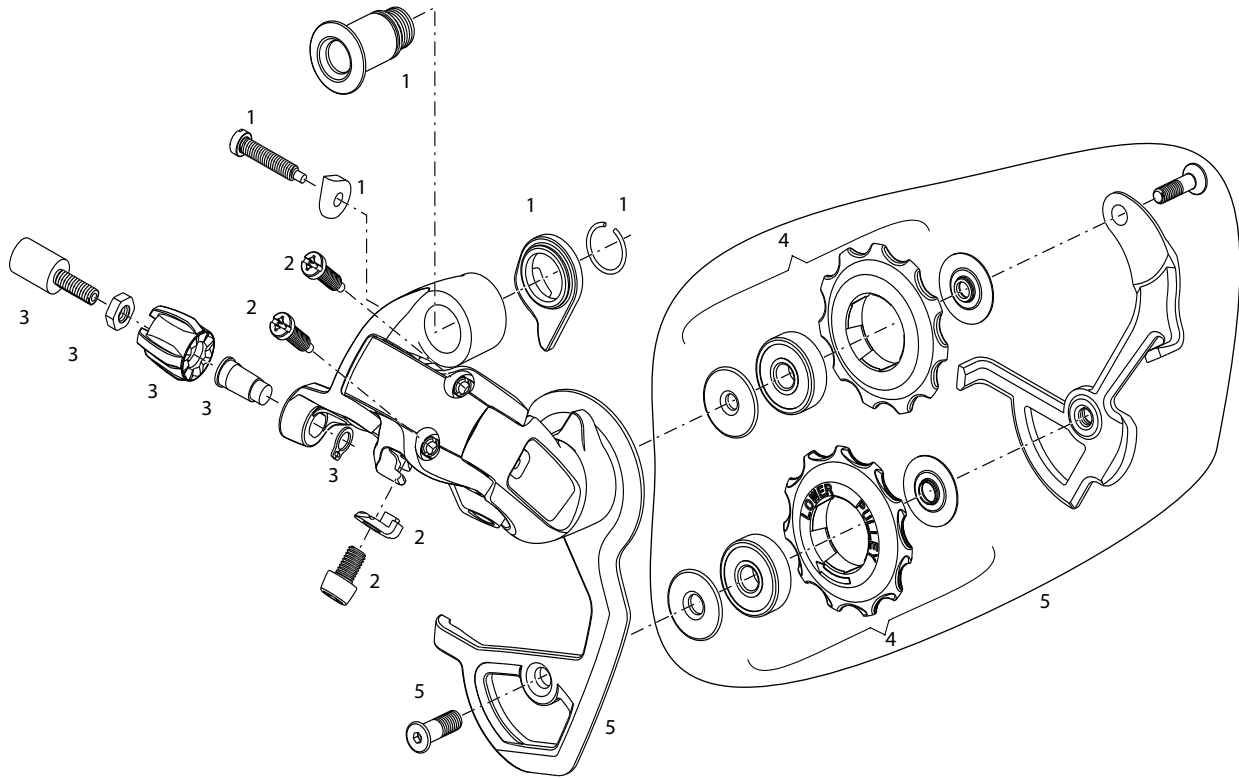
No. Part Number Description

- 1 11.7518.060.000Rival1 B Bolt and Limit Screw Kit
- 2 11.7518.061.000Rival1 Cable Anchor and Limit Screw Kit
- 3 11.7518.038.000Rival22 Rear Derailleur Barrel Adjuster
- 4 11.7518.012.000XX1/X01/DH/X0/CX1/X1/X9/X7 Type 2/2.1 Cage Lock with Spring Qty 1
- 5 11.7518.062.000Rival1 Rear Derailleur Pulley and Inner Cage Kit Medium
- 5 11.7518.059.000Rear Derailleur GX 1X11/Force1/Rival1 Type 2.1 Cage and Pulley Kit Long Cage
- 6 11.7518.032.000RD X01/X01DH/X1/CX1 X.Sync Pulley Assembly



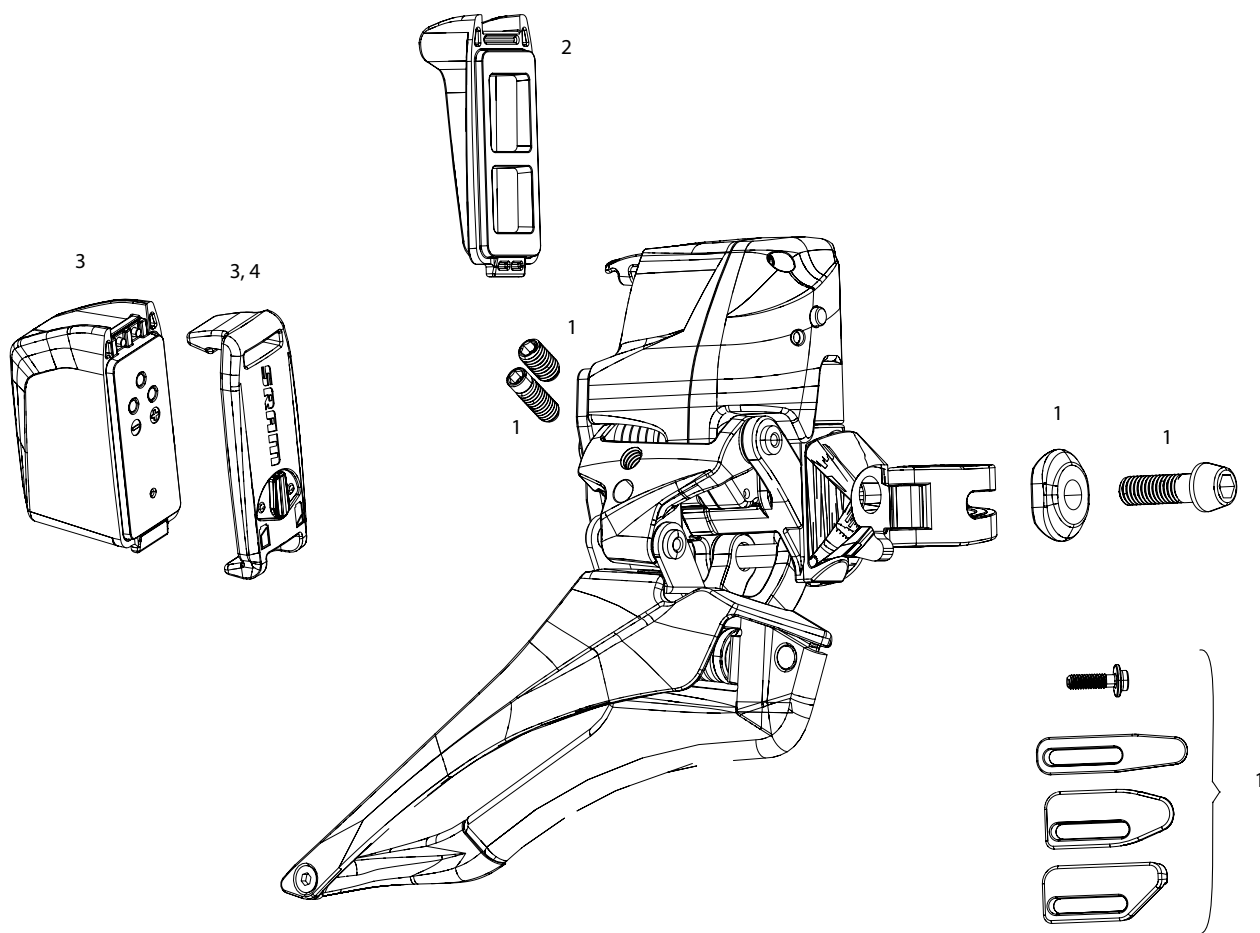
No. Part Number Description

- 1 11.7518.072.000Rear Derailleur Apex1/NX 11 Speed Pulley Kit
- 2 11.7518.073.000Rear Derailleur Apex1/NX 11 Speed Cage and Pulley Kit
- 3 11.7518.075.000Rear Derailleur Apex1 B Adjust and Limit Screw Kit
- 3 11.7518.067.000Rear Derailleur NX 11 Speed B Adjust and Limit Screw Kit



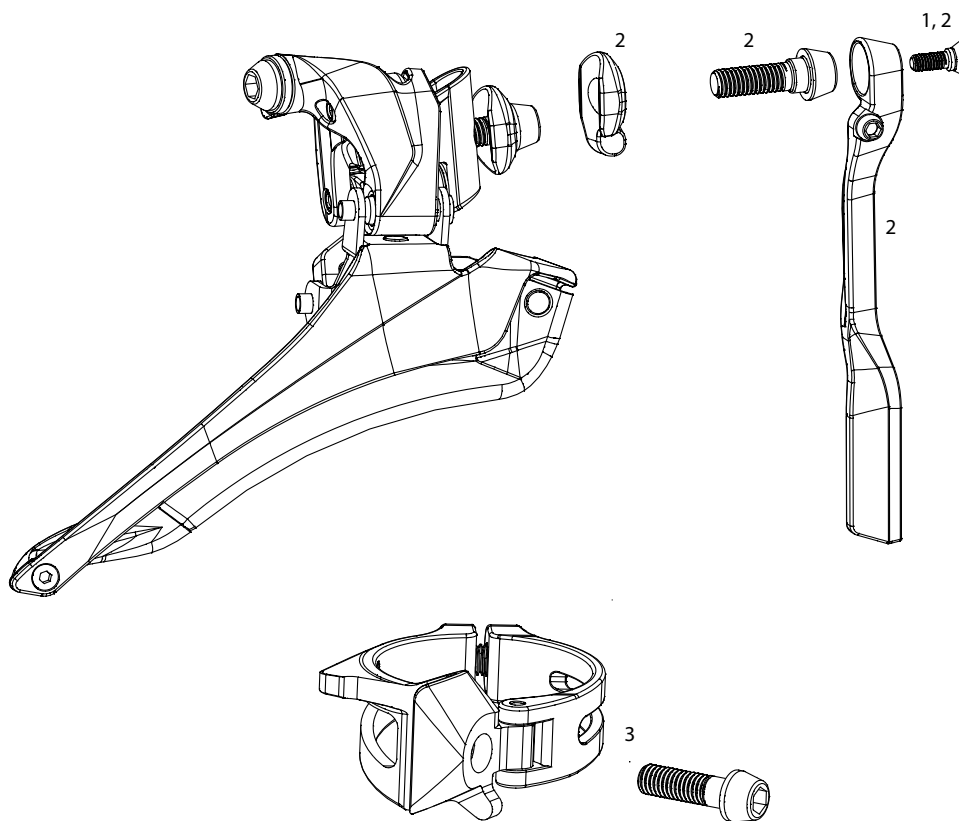
No. Part Number Description

1	11.7518.009.000	Rival/Apex Medium Cage Rear Derailleur B-Bolt Kit
1	11.7515.035.000	Apex/Rival/Force Rear Derailleur B-Bolt Kit
2	11.7515.001.000	Rival Rear Derailleur Cable Anchor/Limit Screw
2	11.7515.061.000	Force Rear Derailleur Cable Anchor/Limit Screw
3	11.7515.005.000	Apex/Rival/Force Rear Derailleur Barrel Adjuster Kit
4	11.7515.060.000	Force Rival Apex Rear Derailleur Pulley Kit
5	11.7515.059.000	Apex Short Rear Derailleur Cage/Pulley Complete Kit
5	11.7515.059.010	Apex Medium Rear Derailleur Cage/Pulley Complete Kit
5	11.7515.033.020	Rival Rear Derailleur Cage/Pulley Complete Kit Blk
5	11.7515.033.040	Rival Medium Rear Derailleur Cage/Pulley Complete Kit
5	11.7515.033.030	2010 Force Rear Derailleur Cage/Pulley Complete Kit
5	11.7515.033.050	Force Medium Rear Derailleur Cage/Pulley Complete Kit
ns	11.7515.034.000	Rear Derailleur Limit Screw Plugs Qty 10 (Red, Force, Rival,X-0)



No. Part Number Description

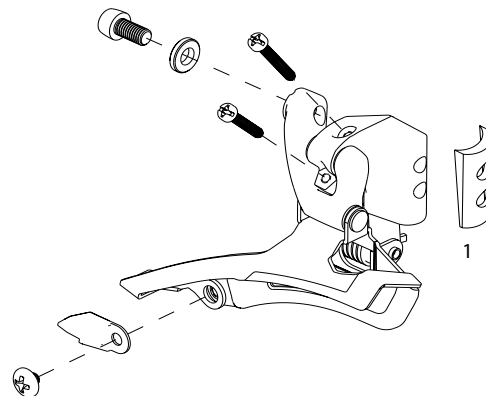
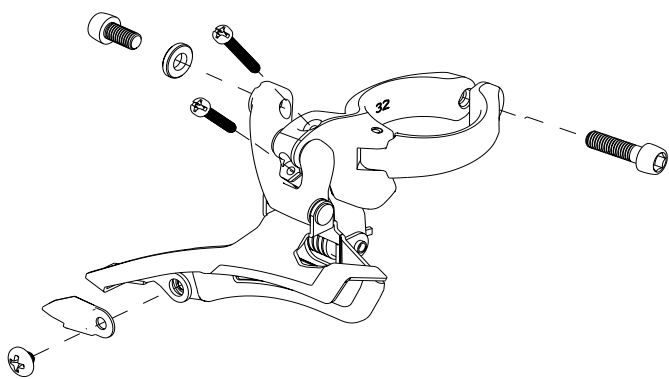
- 1 11.7618.004.000Red eTap Front Derailleur Spare Parts Kit
- 2 11.7618.005.000Red eTap Battery Block Front/Rear Derailleur Qty 1
- 3 00.3018.102.000SRAM eTap Battery Qty 1
- 4 11.7618.006.000SRAM eTap Battery Terminal Cover Qty 1



No. Part Number Description

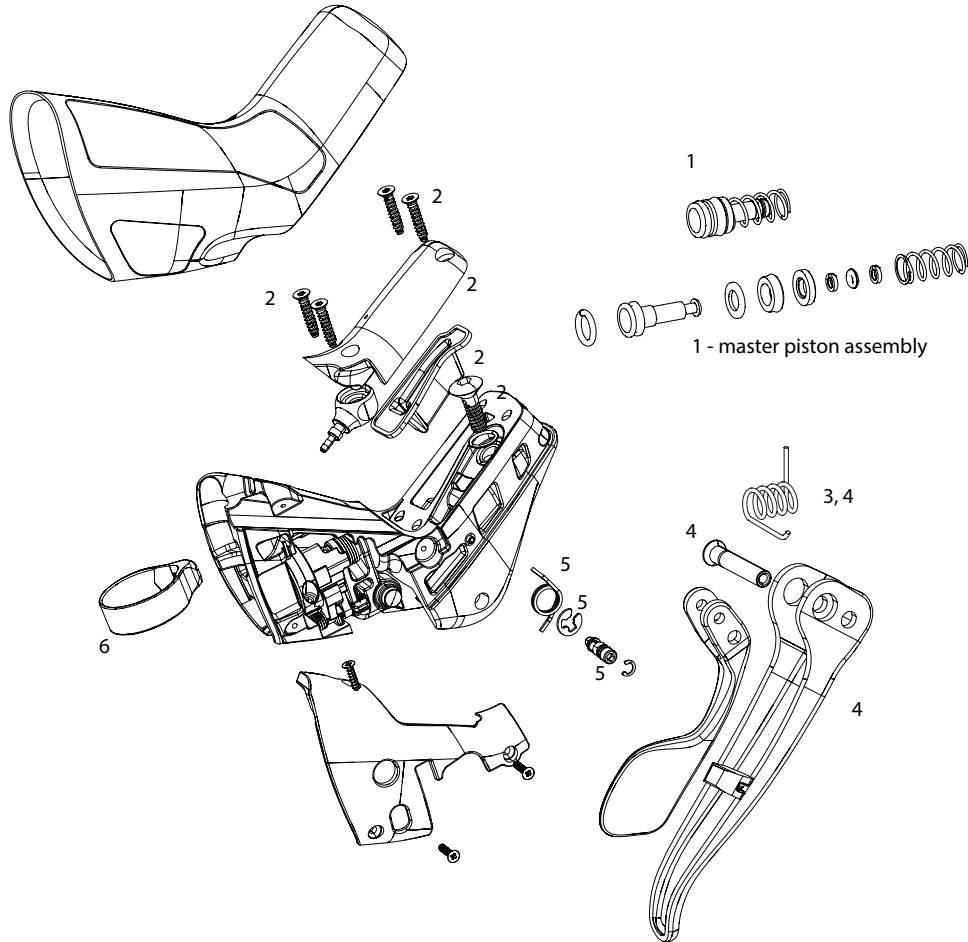
- 1 11.7618.003.000 Chainspotter Attaching Bolt qty 1
- 2 00.7618.013.000 Front Derailleur Chain Spotter with Washer
- 3 11.7618.000.000 Braze-on Adaptor Red 34.9 with Chainspotter Stop Black
- 3 11.7618.000.001 Braze-on Adaptor Red 31.8 with Chainspotter Stop Black





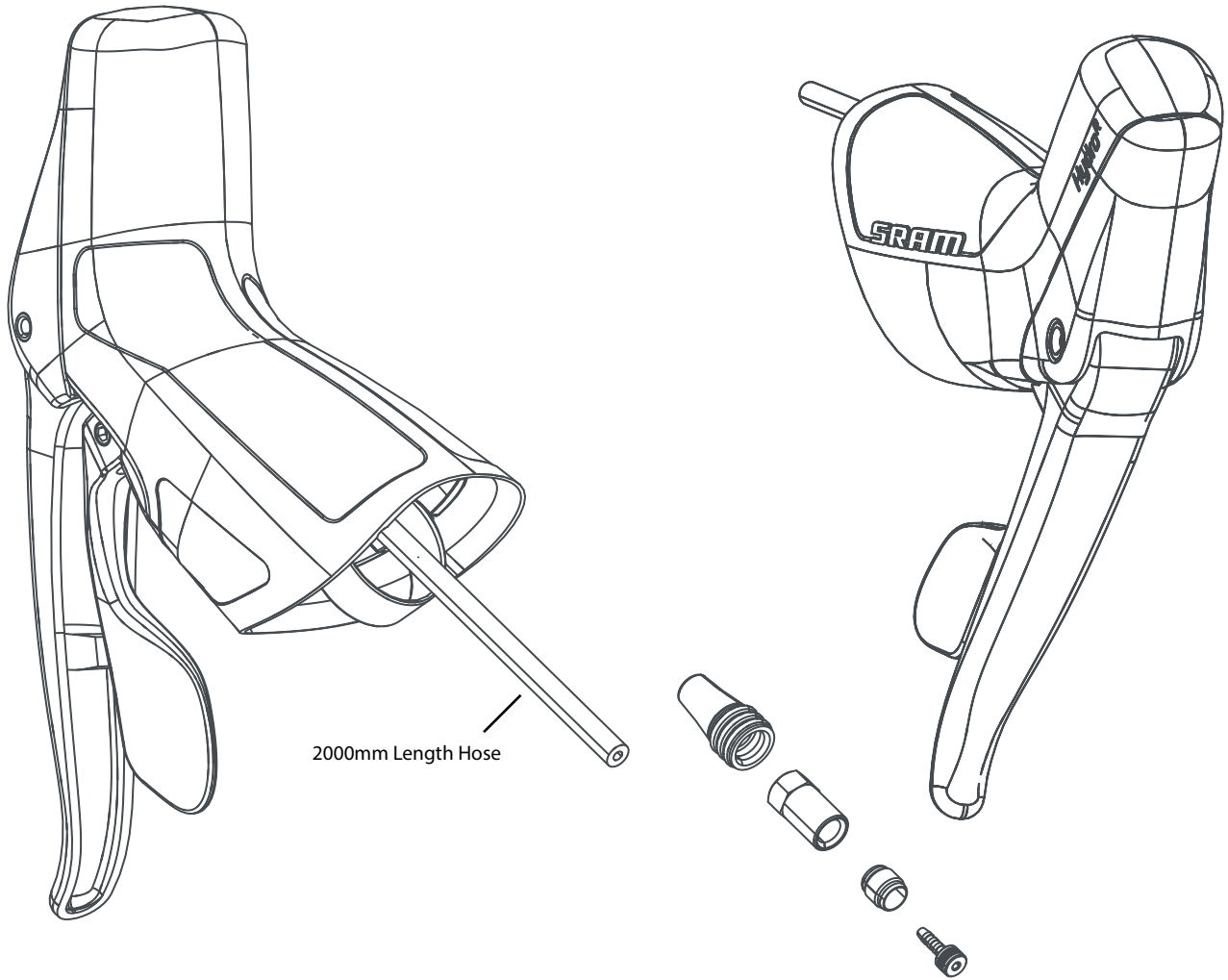
No. Part Number Description

1 11.7615.011.000Rival/Force Slanted Adjustment Washer Front Derailleur Braze Qty 1



No. Part Number Description

1	11.7018.036.000	HRD/HRR Shift Lever Master Piston Assembly and Bleed Screw 1 lever
2	11.7018.037.000	HRD/HRR Shift Lever Front Reservoir Cap/Bladder Kit with Screws and Bleed Plug Qty1
2	11.7018.037.001	HRD/HRR Shift Lever Rear Reservoir Cap/Bladder Kit with Screws and Bleed Plug Qty1
3	11.7018.031.000	RED22/700 Hydraulic Lever Bias Spring Kit Left and Right
4	11.7018.038.000	Red22 B1 Hydraulic ErgoDynamic Brake Lever Assembly Right
4	11.7018.038.001	Red22 B1 Hydraulic ErgoDynamic Brake Lever Assembly Left
4	11.7018.038.002	Force22 Hydraulic Brake Lever Assembly Right
4	11.7018.038.003	Force22 Hydraulic Brake Lever Assembly Left
4	11.7018.038.004	Rival22 Hydraulic Brake Lever Assembly Right
4	11.7018.038.005	Rival22 Hydraulic Brake Lever Assembly Left
4	11.7018.038.006	700 B1 Hydraulic Brake Lever Assembly Right
4	11.7018.038.007	700 B1 Hydraulic Brake Lever Assembly Left
4	11.7018.038.008	Red HRD B2 Brake Lever Assembly Right
4	11.7018.038.009	Red HRD B2 Brake Lever Assembly Left
4	11.5118.006.001	Force CX1 Hydraulic ErgoDynamic Brake Lever Assembly Left
4	11.5218.001.001	Force1 Brake Lever Assembly Left
5	11.7018.042.000	Red22 B1 Hydraulic Shift Lever Assembly Right
5	11.7018.042.001	Red22 B1 Hydraulic Shift Lever Assembly Left
5	11.7018.042.002	Force22 Hydraulic Shift Lever Assembly Right
5	11.7018.042.003	Force22 Hydraulic Shift Lever Assembly Left
5	11.7018.042.004	Rival22 Hydraulic Shift Lever Assembly Right
5	11.7018.042.005	Rival22 Hydraulic Shift Lever Assembly Left
5	11.7018.042.006	700 B1 Hydraulic Shift Lever Assembly Right
5	11.7018.042.007	700 B1 Hydraulic Shift Lever Assembly Left
5	11.7018.070.000	Red HRD B2 Shift Lever Assembly Right
5	11.7018.070.010	Red HRD B2 Shift Lever Assembly Left
6	11.7018.002.000	Red 13/22/Force22/Rival22/700 ErgoDynamic and Hydraulic RoadShifter Clamp Kit Pair

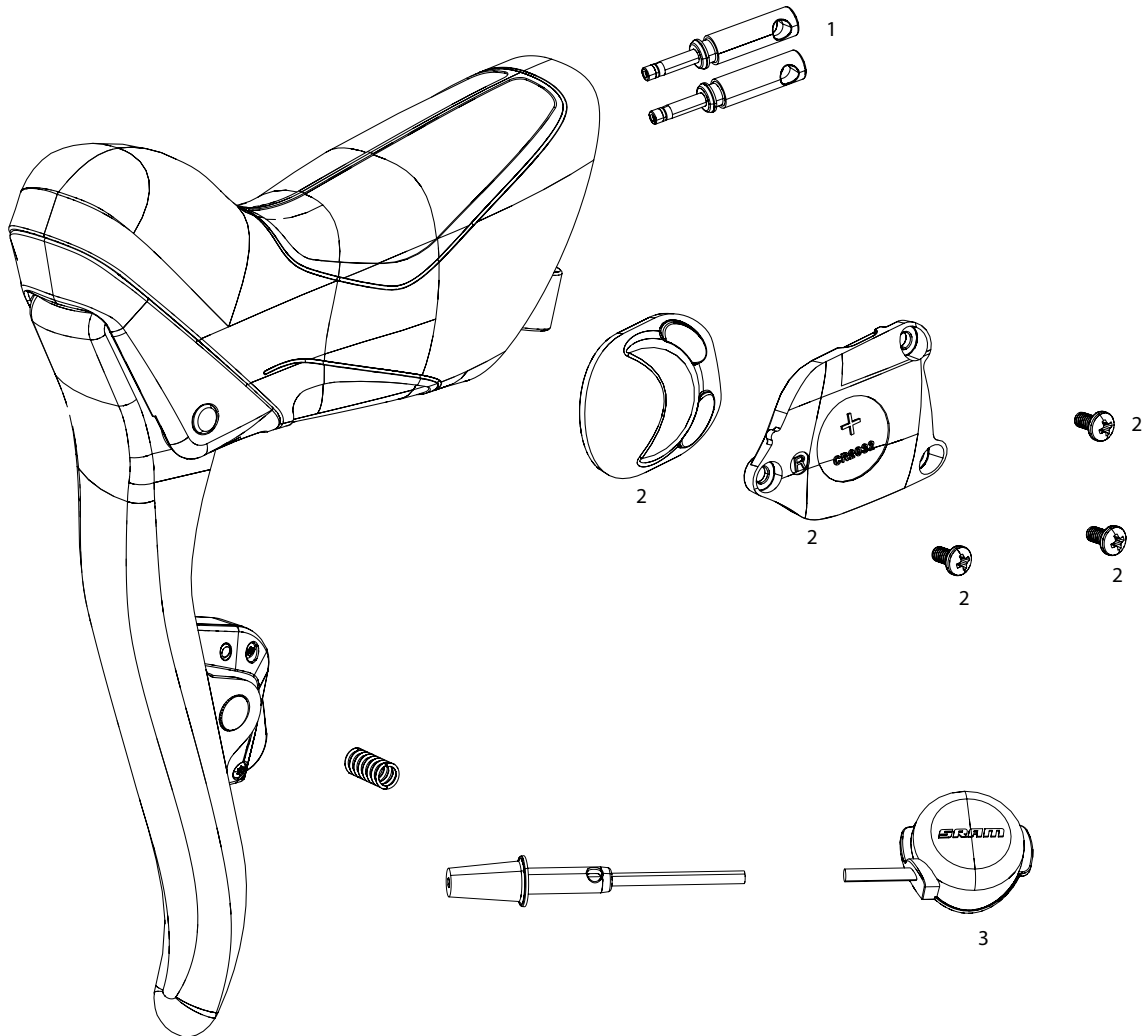


2000mm Length Hose

NOTES:

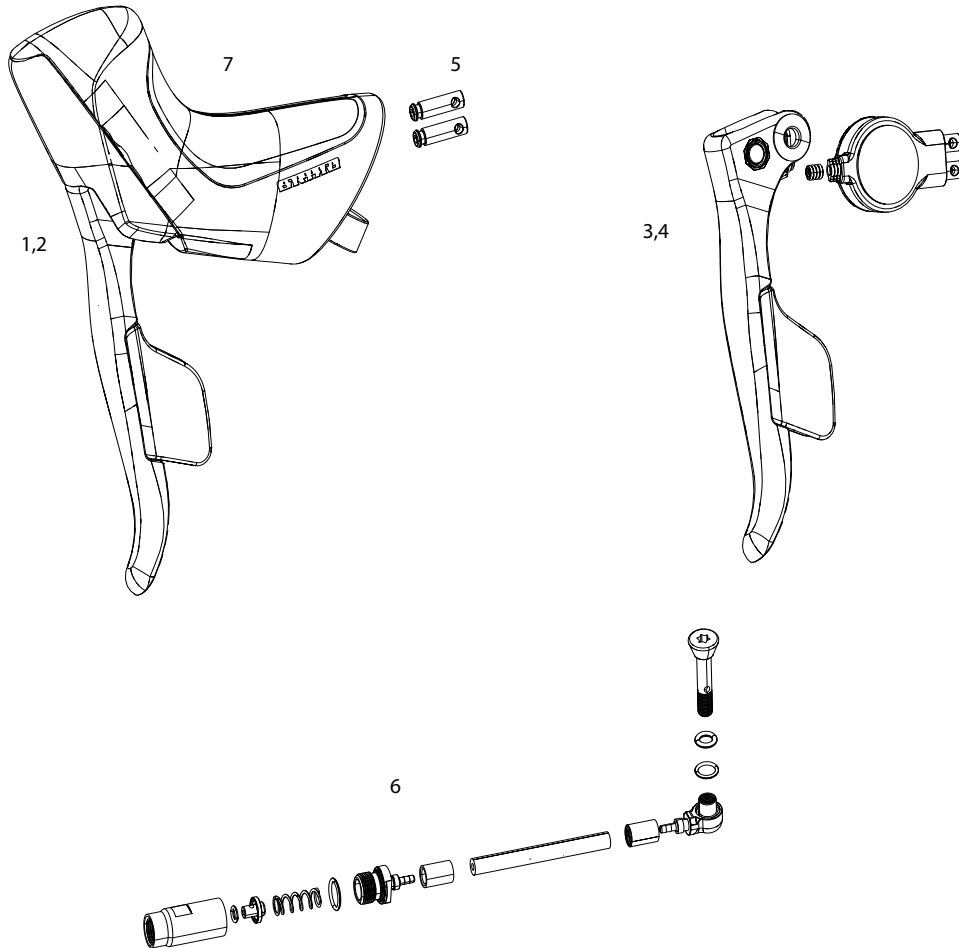
1. Hydraulic Road Exchange includes 2000mm of hose.

Part Number	Description
11.7018.043.000	Red 22 Hydraulic Road Rear Shifter Lever Exchange
11.7018.043.001	Force 22 Hydraulic Road Rear Shifter Lever Exchange
11.7018.043.002	Rival 22 Hydraulic Road Rear Shifter Lever Exchange
11.7018.043.003	S700 Hydraulic Road Rear Shifter Lever Exchange
11.7018.046.000	Red 22 Hydraulic Road Front Shifter Lever Exchange
11.7018.046.001	Force 22 Hydraulic Road Front Shifter Lever Exchange
11.7018.046.002	Rival 22 Hydraulic Road Front Shifter Lever Exchange
11.7018.046.003	S700 Hydraulic Road Front Shifter Lever Exchange
11.5218.000.000	Force CX1 Hydraulic Road Front Brake Lever Exchange
11.5218.002.000	Rival1 Hydraulic Road Front Brake Lever Exchange
11.5218.003.000	Apex1 Hydraulic Road Front Brake Lever Exchange
11.7018.043.004	Apex1 Hydraulic Road Rear Shift/Brake Lever Exchange

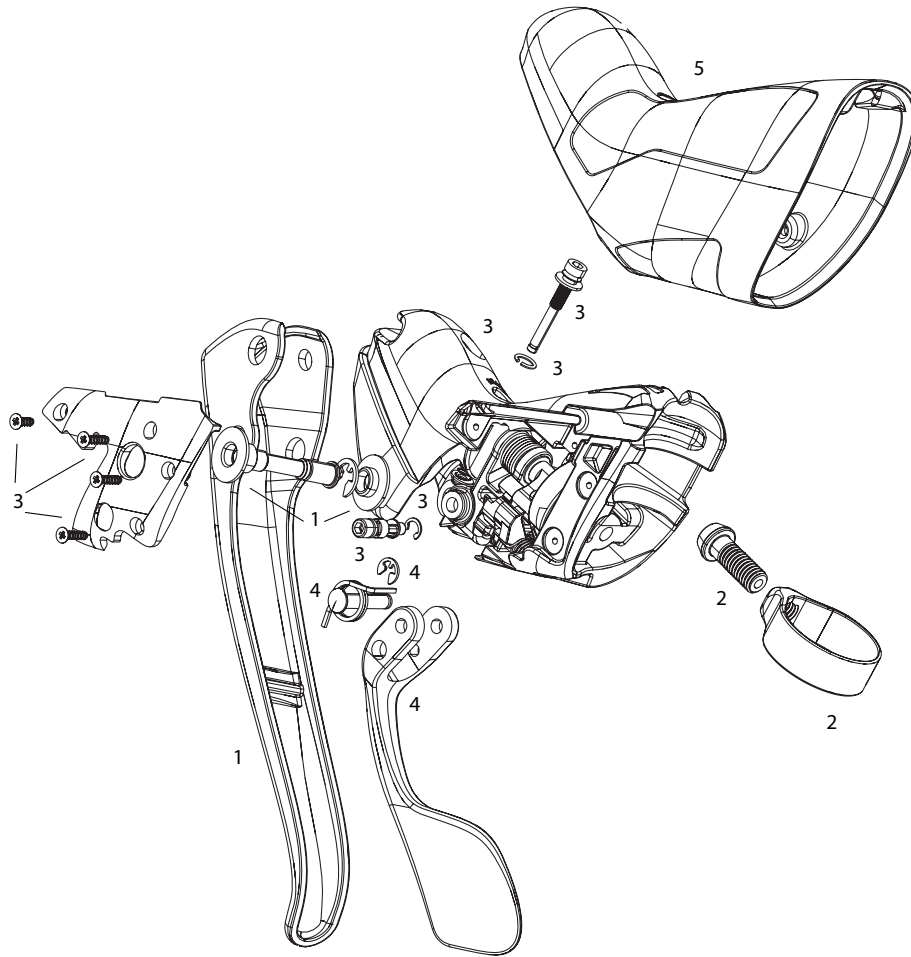


No. Part Number Description

- 1 11.7018.049.000 Red eTap Blip Dummy Plug Shifter/Blip Box Qty 2
- 2 11.7018.050.000 Red eTap Shifter Battery Hatch and Screws Left
- 2 11.7018.051.000 Red eTap Shifter Battery Hatch and Screws Right
- 3 00.7018.210.003 Blip for eTAP 650mm Black Qty 2
- 4 11.7018.063.000 Red eTap Shifter Spring and Actuator Left/Right Qty 1
- ns 00.7918.066.000 Hood Cover Pair for eTAP Levers, Black

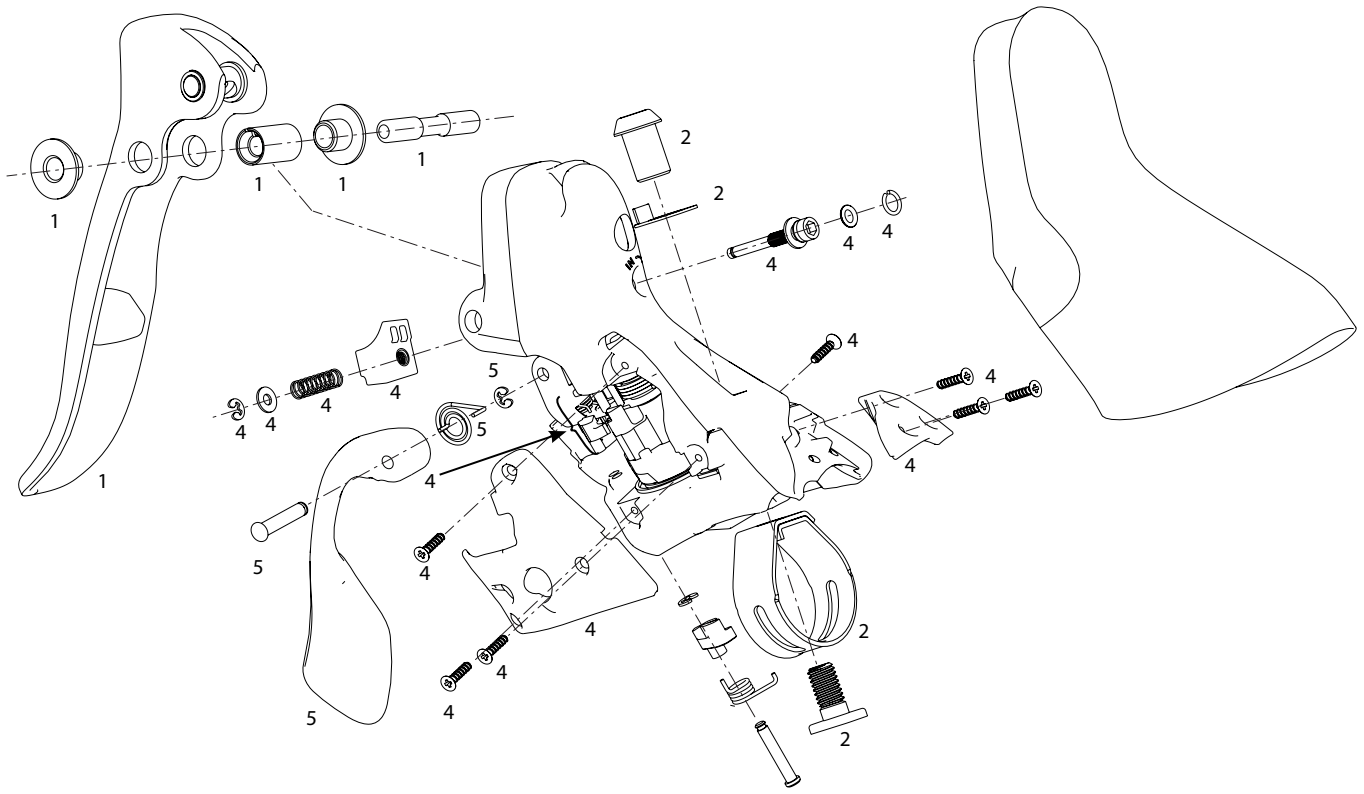


No.	Part Number	Description
1	11.7018.066.000	Red eTap Hydraulic Road Shifter Lever Exchange Left
2	11.7018.066.010	Red eTap Hydraulic Road Shifter Lever Exchange Right
3	11.7018.067.000	Red eTap Hydraulic Road Brake Lever Assembly Left
4	11.7018.067.010	Red eTap Hydraulic Road Brake Lever Assembly Right
5	11.7018.049.000	Red eTap Blip Dummy Plug Shifter/Blip Box Qty 2
6	11.5018.042.000	Hose Hood Assembly eTap HRD Stealthmajig, Qty 1
7	00.7918.027.002	Hood Cover SRAM eTap Hyrdraulic Road Levers Black, Pair
ns	00.5016.168.180	Hydraulic Line Kit - Monoblock, 2000mm, Black, Qty 1 - Red eTap HRD



No. Part Number Description

1	11.7018.001.000	Red 13/22 ErgoDymanic Brake Lever Assembly Right
1	11.7018.001.001	Red 13/22 ErgoDymanic Brake Lever Assembly Left
1	11.7018.068.000	Red B2 Mechanical Brake Lever Assembly Right
1	11.7018.068.010	Red B2 Mechanical Brake Lever Assembly Left
2	11.7018.002.000	Red 13/22/Force22/Rival22/700 ErgoDynamic and Hydraulic Road Shifter Clamp Kit Pair
3	11.7018.004.000	Red 13 ErgoDymanic Shifter Body Assembly Right
3	11.7018.004.001	Red 13 ErgoDymanic Shifter Body Assembly Left
4	11.7018.005.000	Red 13/22 ErgoDymanic Shift Lever Assembly Right
4	11.7018.005.001	Red 13/22 ErgoDymanic Shift Lever Assembly Left
4	11.7018.069.000	Red B2 Mechanical Shift Lever Assembly Right
4	11.7018.069.010	Red B2 Mechanical Shift Lever Assembly Left
5	00.7918.010.000	Hood Cover Pair for Red2012, Red 22, Force 22, Rival 22 Levers, Textured, Black
5	00.7918.010.001	Hood Cover Pair for Red2012, Red 22, Force 22, Rival 22 Levers, Textured, White
5	00.7918.010.002	Hood Cover Pair for Red2012, Red 22, Force 22, Rival 22 Levers, Textured, Red

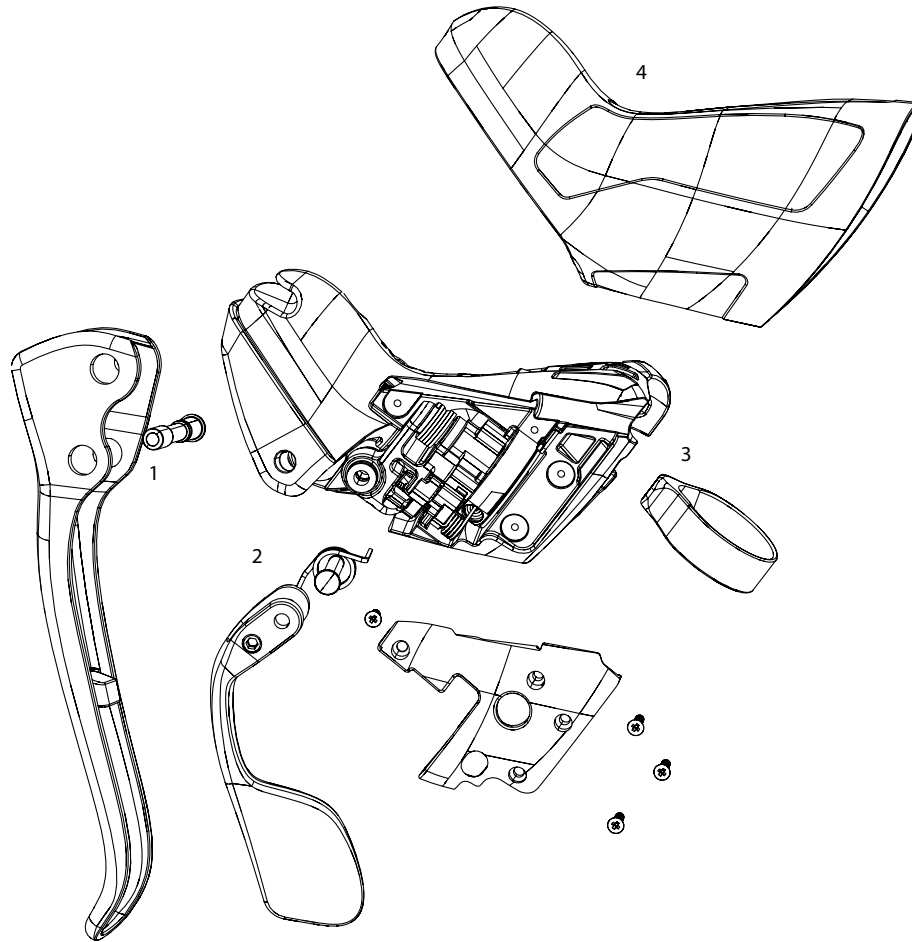


Notes:

1. Hoods for 2008-2011 Red are no longer available.

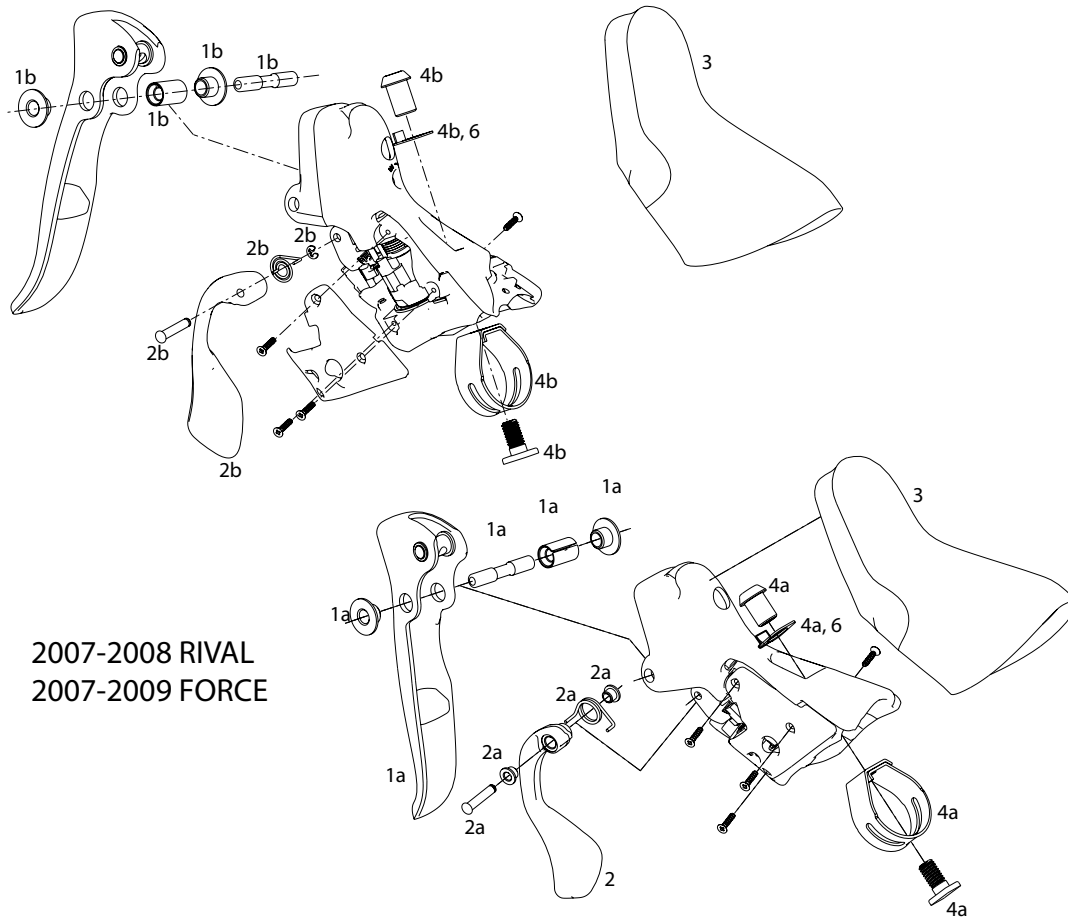
No. Part Number Description

1	11.5215.026.000	Red Brake Lever Assy Kit, Left
1	11.5215.026.010	Red Brake Lever Assy Kit, Right
2	11.7015.050.00009-11	Road Shifter Clamp Kit, Pair
4	11.7015.039.000	Red Shifter Body Assy Left
4	11.7015.039.010	Red Shifter Body Assy Right
5	11.7015.040.000	Red Shifter Lever Assy Left
5	11.7015.040.010	Red Shifter Lever Assy Right
ns	11.7015.065.000	Shifter Spring, Right, RED (Qty 5)
ns	11.7015.065.010	Shifter Spring, Left, RED (Qty 5)



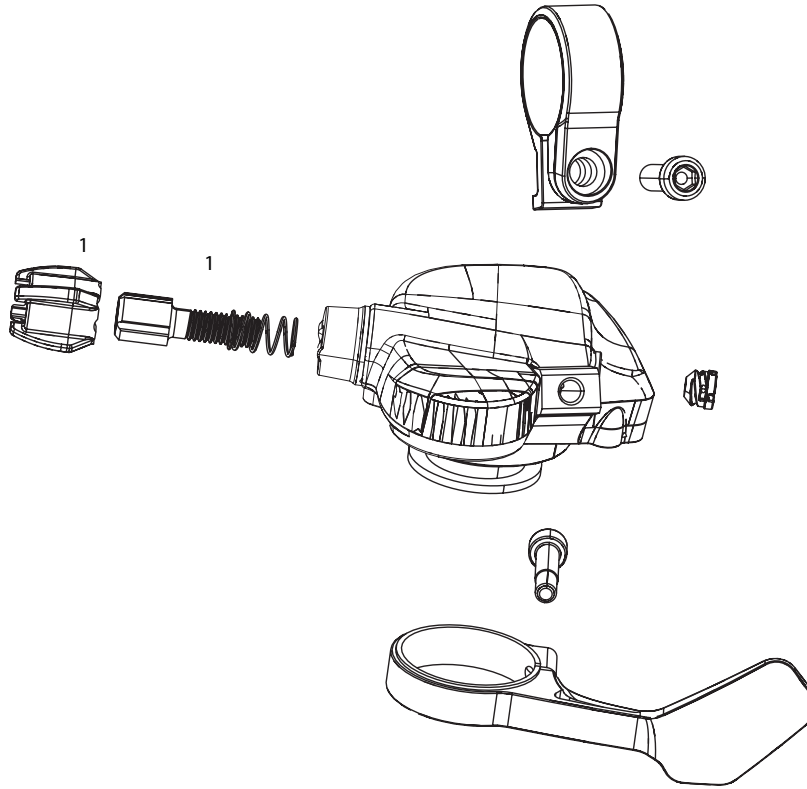
No.	Part Number	Description
1	11.7018.047.000	Rival22 Mechanical Brake Lever Assembly Kit Left
1	11.7018.047.001	Rival22 Mechanical Brake Lever Assembly Kit Right
1	11.7018.022.000	Force22 Mechanical Brake Lever Assy Kit Left
1	11.7018.022.001	Force22 Mechanical Brake Lever Assy Kit Right
1	11.5218.001.000	Rival1 Brake Lever Assembly left
2	11.7018.048.000	Rival22 Mechanical Shift Lever Assembly Kit Left
2	11.7018.048.001	Rival22 Mechanical Shift Lever Assembly Kit Right
2	11.7018.023.000	Force22 Mechanical Shift Lever Assy Kit Left
2	11.7018.023.001	Force22 Mechanical Shift Lever Assy Kit Right
3	11.7018.002.000	Red 13/22/Force22/Rival22/700 ErgoDynamic and Hydraulic RoadShifter Clamp Kit Pair
4	00.7918.010.000	Hood Cover Pair for Red2012, Red 22, Force 22, Rival 22 Levers, Textured, Black
4	00.7918.010.001	Hood Cover Pair for Red2012, Red 22, Force 22, Rival 22 Levers, Textured, White
4	00.7918.010.002	Hood Cover Pair for Red2012, Red 22, Force 22, Rival 22 Levers, Textured, Red





2007-2008 RIVAL  
2007-2009 FORCE

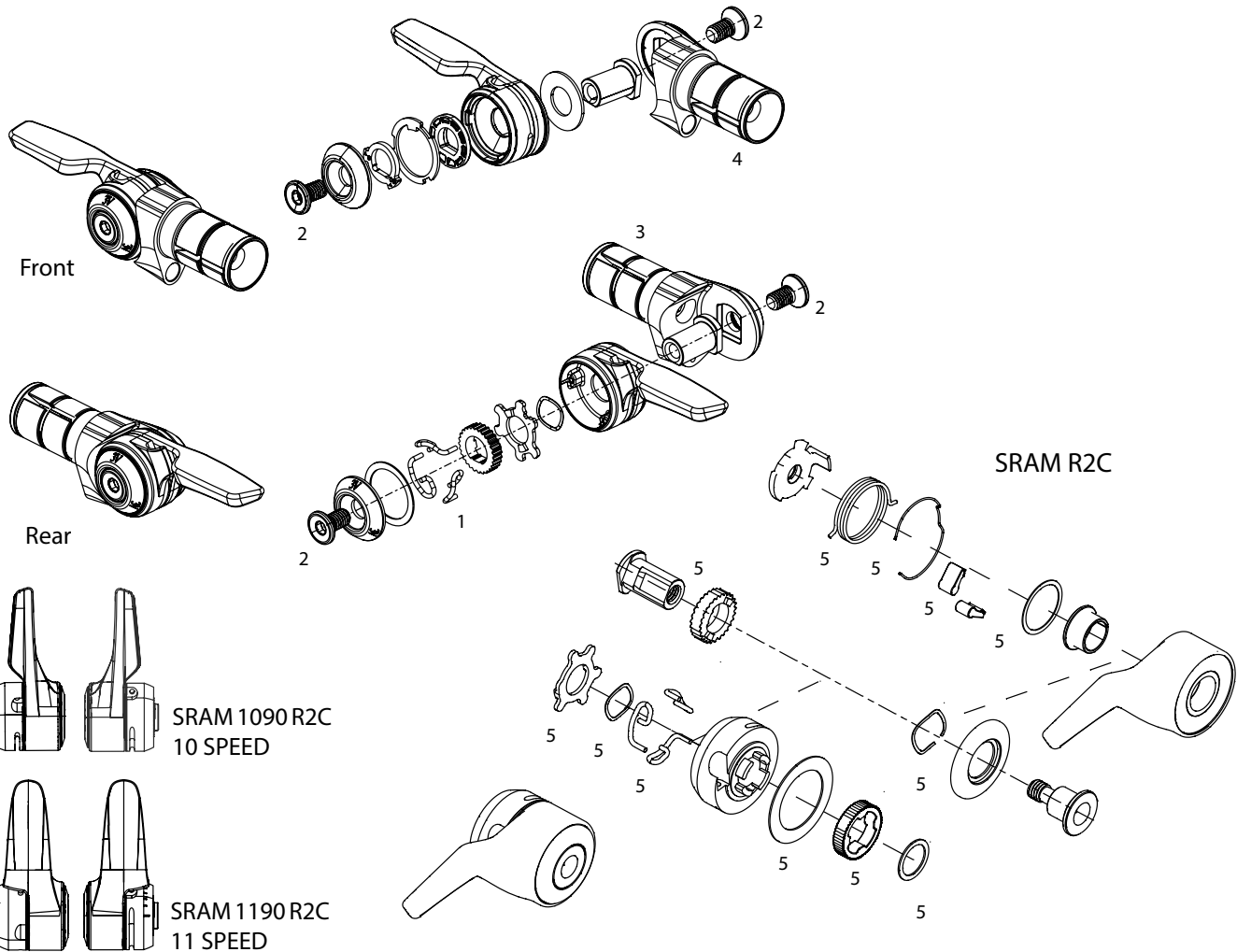
No.	Part Number	Description
1a	11.7015.052.0802010	Force Brake Lever Assy Kit Left
1b	11.7015.052.0902010	Force Brake Lever Assy Kit Right
1a	11.7015.052.00011	Rival Brake Lever Assy Kit, Left
1b	11.7015.052.01011	Rival Brake Lever Assy Kit, Right
2a	11.7015.052.04009-11	Apex/Rival Shift Lever Assy Kit, Left
2b	11.7015.052.05009-11	Apex/Rival Shift Lever Assy Kit, Right
3	00.7915.042.000	Hoods for Doubletap Levers Black, Pair
3	00.7915.042.010	Hoods for Doubletap Levers White, Pair
3	00.7915.042.020	Hoods for Doubletap Levers Red, Pair
4	11.7015.000.00007-08	Rival/Force Shifter Clamp Kit, Pair
ns	11.7015.050.00009-11	Road Shifter Clamp Kit, Pair
ns	11.7915.002.000	Rival/Force Cable Downtube Barrel Adjuster (R/L)



No. Part Number Description

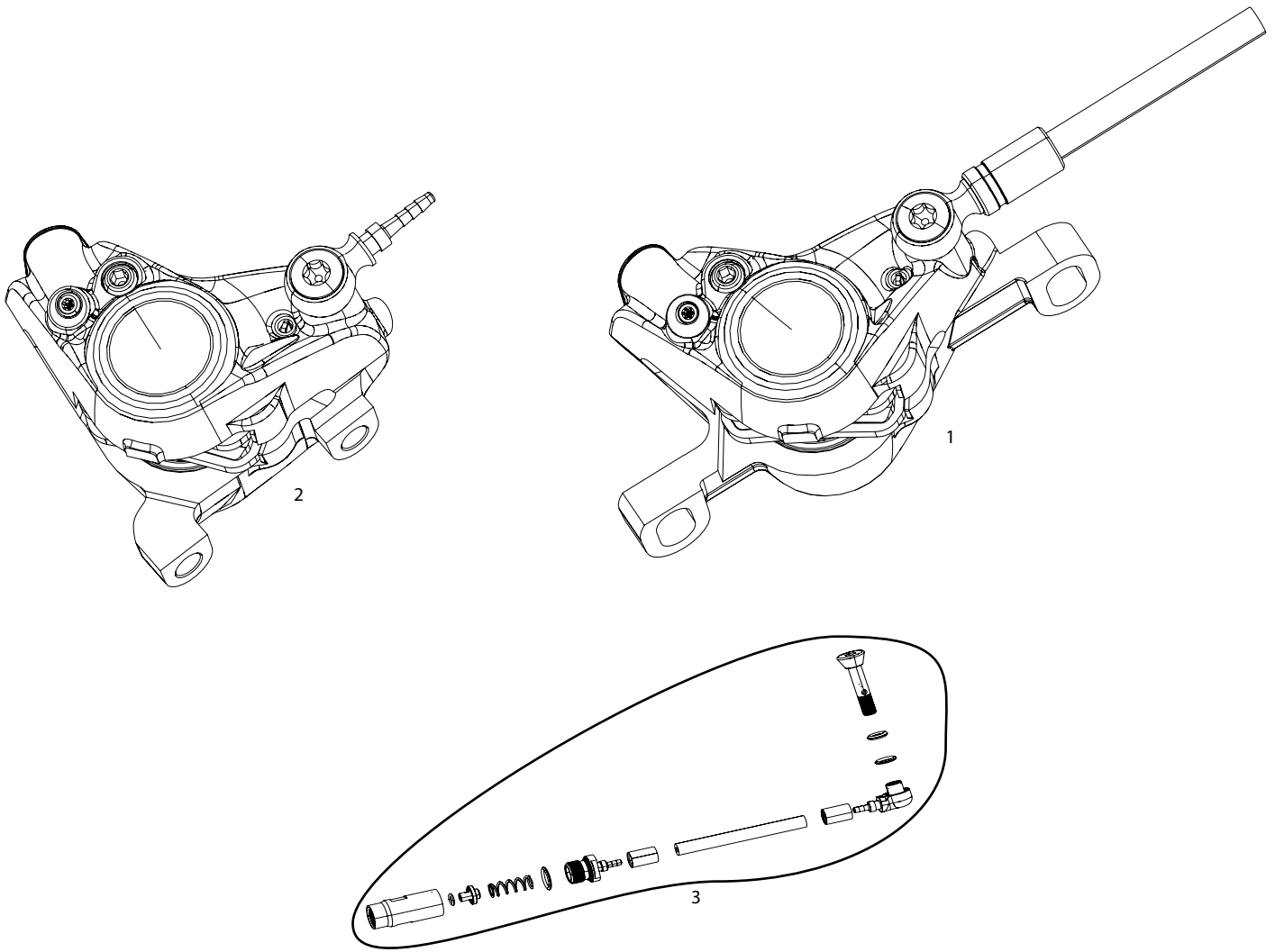
1 11.7015.024.00007-09 X0/X9 Trigger Barrel Adjuster Qty 2 (M6, 3PC)





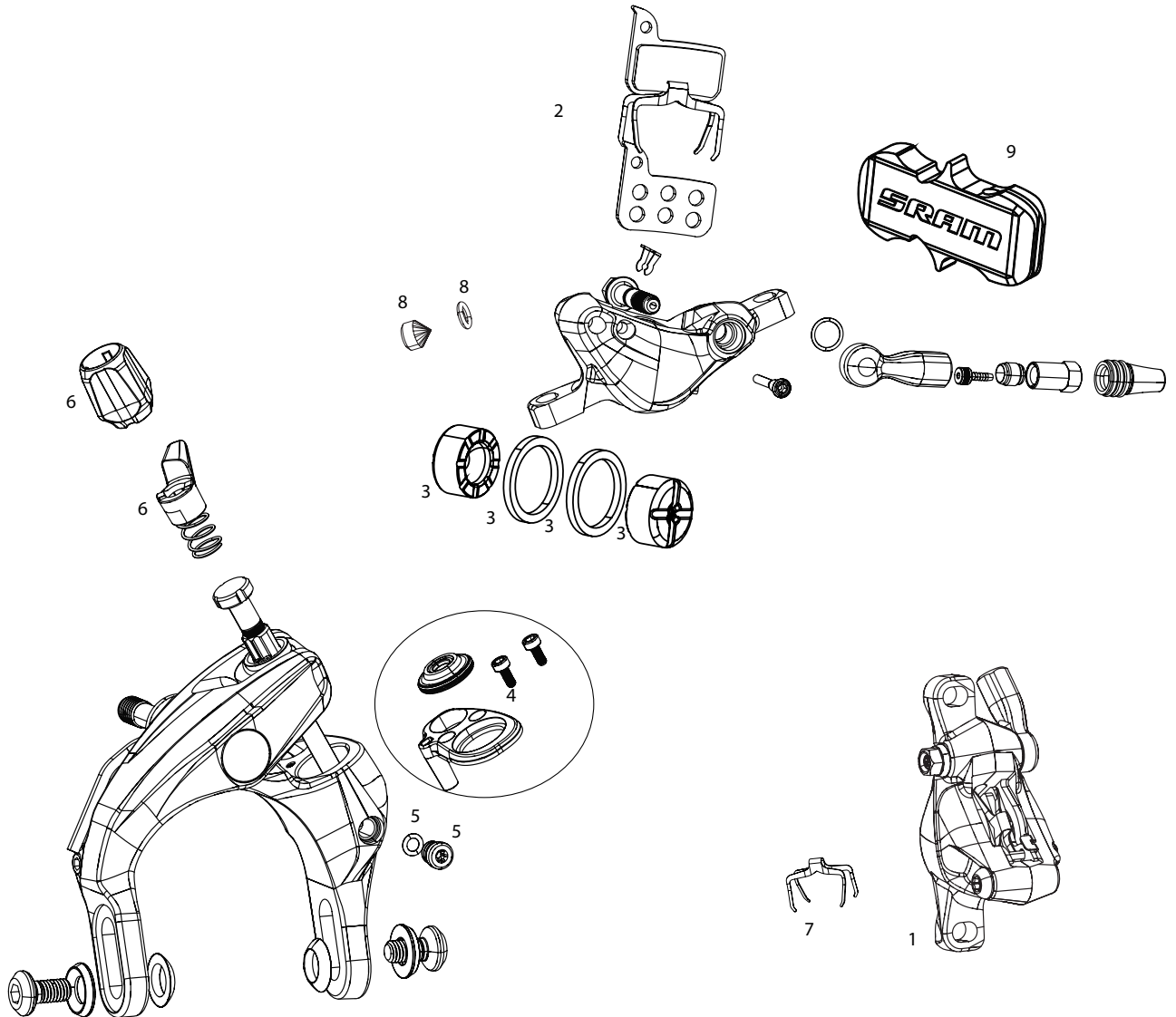
No. Part Number Description

- 1 11.7015.036.000TT900, TT500 Shifter Spring Kit Rear
- 2 11.7015.037.000TT900, TT500 Shifter Screw Kit F/R
- 3 11.7015.038.000TT900, TT500 Bar Lock Assy Rear
- 4 11.7015.038.010TT900, TT500 Bar Lock Assy Front
- 5 11.7015.075.000R2C Shifter Front/Rear Service Kit
- ns 11.7018.040.000R2C Front YAW Rear 11 speed Shifter Service Kit



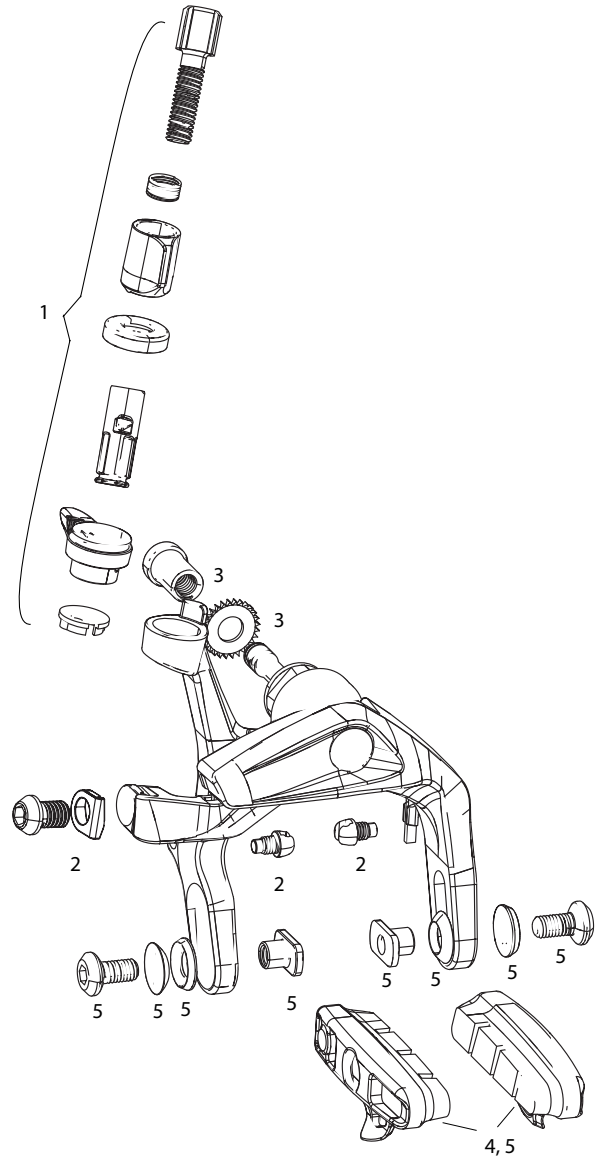
No.	Part Number	Description
1	11.5018.024.010	Red eTap HRD Caliper Assembly Post Mount Front/Rear Falcon Grey
2	11.5018.039.010	Red eTap HRD Caliper Assembly Flat Mount Front/Rear Falcon Grey
3	11.5018.042.000	Hose Hood Assembly eTap HRD Stealthmajig, Qty 1

SRAM RED 22 B1 / FORCE 22 / FORCE 1 / CX1 / RIVAL 22  
RIVAL 1 / 700 B1 HRD / APEX 1 / HRR CALIPERS



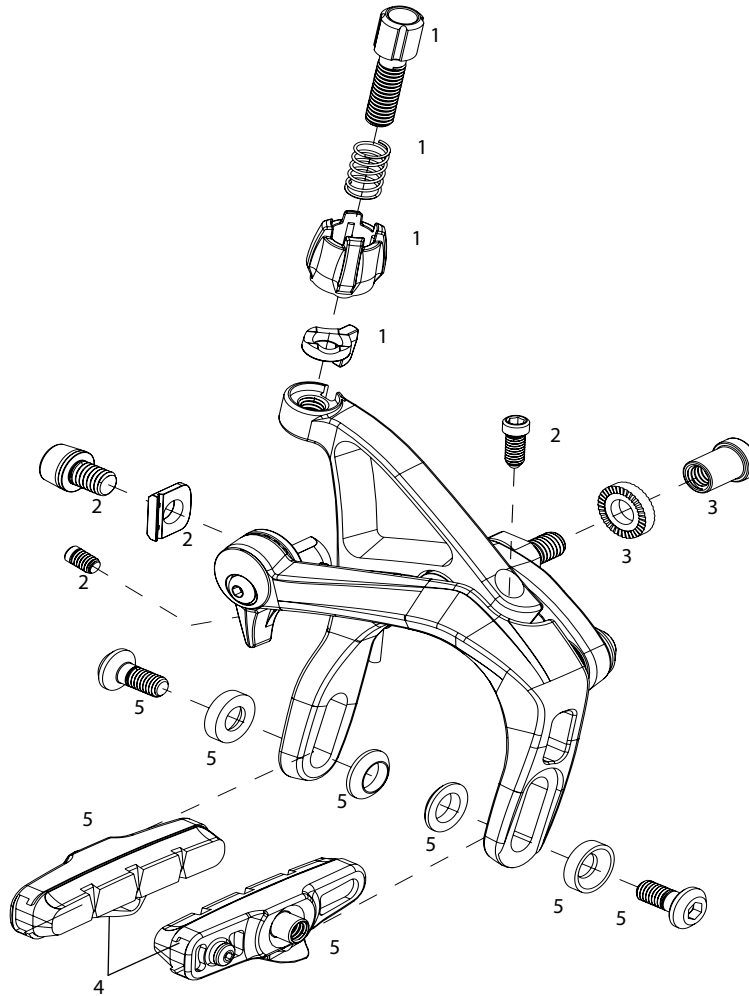
No. Part Number Description

1	11.5018.024.000	RED22 HRD B1 Caliper Assembly 18mm Front/Rear Grey
1	11.5018.025.000	700 HRD B1 Caliper Assembly 18mm Front/Rear Black
1	11.5018.026.000	Force22 HRD B1 Caliper Assembly 18mm Front/Rear Grey
1	11.5018.027.000	Rival22 HRD B1 Caliper Assembly 18mm Front/Rear Black
1	11.5018.044.000	Apex HRD Caliper Assembly Post Mount Front/Rear Black
1	11.5018.039.000	Red22 HRD Flat Mount Caliper Assembly Front/Rear
1	11.5018.040.000	Force22/Force1 HRD Flat Mount Caliper Assembly Front/Rear
1	11.5018.041.000	Rival22/Rival1 HRD Flat Mount Caliper Assembly Front/Rear
1	11.5018.045.000	Apex HRD Caliper Assembly Flat Mount Front/Rear Black
2	11.5018.037.000	Disc Brake Pads Organic/Steel - SRAM Hydraulic Road Disc, Level Ultimate/TLM 20 Sets
2	11.5018.037.001	Disc Brake Pads Organic/Aluminum - SRAM Hydraulic Road Disc, Level Ultimate/TLM 20 Sets
2	11.5018.037.002	Disc Brake Pads Sintered/Steel - SRAM Hydraulic Road Disc, Level Ultimate/TLM 20 Sets
3	11.5018.029.000	Piston Kit Caliper Red2/700 B1 18mm Rear
4	11.5118.003.000	Red22 HRR Piston and Cover Kit with Screws Qty1
5	11.5118.004.000	Red22 HRR Reservoir Bleed Screw with O-Ring
6	11.5118.005.000	Red22 HRR Barrel Adjuster and Quick Release Qty1
7	11.5018.028.000	Red 22 700 B1 Pad Spreader QTY 20
8	11.5015.069.010	Set Screw & O-Ring (Banjo Bolt Bleed) Qty 20
9	11.5015.014.060	Bleed Block Hydraulic Road Disc
ns	11.5018.031.000	Hydraulic Road Disc Brake Non-Connectamajig Banjo Black Qty 1
ns	11.5018.031.001	Hydraulic Road Disc Brake Non-Connectamajig Banjo Silver Qty 1
ns	11.5018.034.000	HRD B1 Caliper Parts Kit



No. Part Number Description

- 1 11.5118.000.000Red 13 Aero Link Brake Barrel Adjuster/Quick Release Qty1
- 2 11.5118.001.000Red 13 Aero Link Brake Clamp Bolt/Spring Adjust Qty1
- 2 11.5415.017.040Red B2 Brake Cable Clamp Bolt/Adjuster Screws, Qty 1
- 3 11.5415.018.000Red Brake Center Nut/Washer (10, 12, 14, 16, 18, 20, 22, 30)
- 4 11.5115.000.000Brake Pad Insert SRAM Road Black Qty 2
- 5 00.5315.013.050Brake Pad/Holder Red Black Pair
- ns 00.7918.011.000SRAM Red Brake Centering Wrench, 13mm (2013)



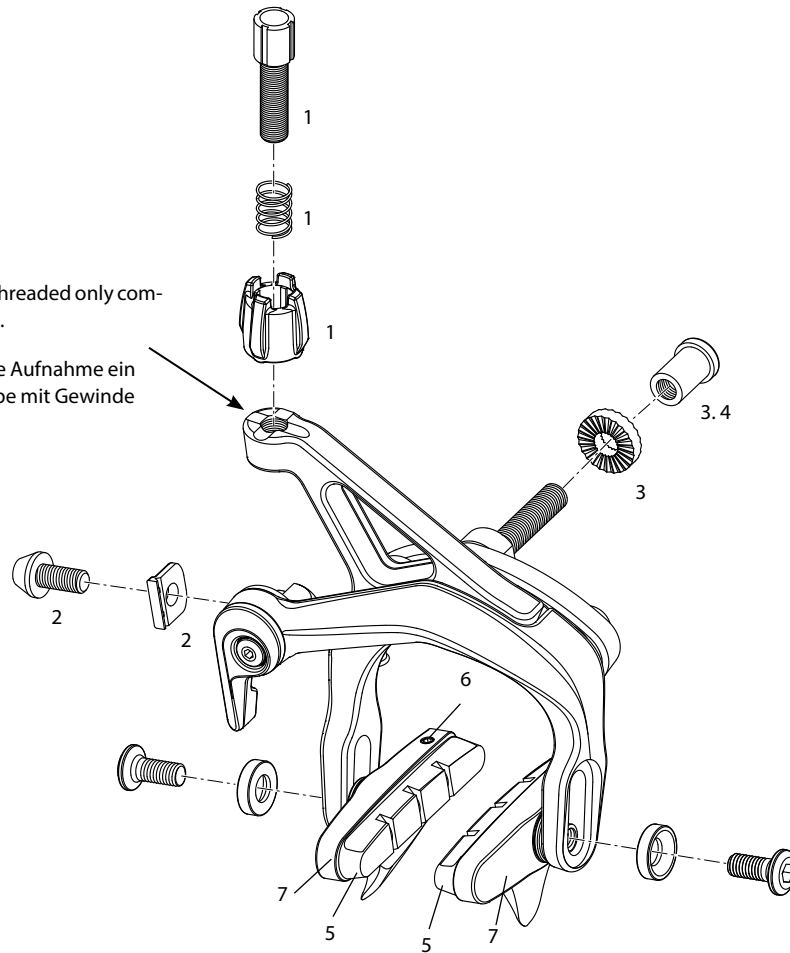
No. Part Number Description

- 1 11.5415.016.000Red/11 Force Brake Barrel Adjuster
- 2 11.5415.017.030Red Black Brake Cable Clamp Bolt/Adjuster Screws, Qty 1
- 3 11.5415.018.000Red Brake Center Nut/Washer (10, 12, 14, 16, 18, 20, 22, 30)
- 4 11.5115.000.000Brake Pad Insert SRAM Road Qty 2
- 4 11.5115.000.010Brake Pad Insert for Carbon Rim SRAM Road Qty 2
- 5 00.5315.013.050Brake Pad/Holder Red Black Pair



Check brake caliper before ordering. Threaded only compatible with threaded barrel adjusters.

Prüfen Sie vor einer Bestellung: hat die Aufnahme ein Gewinde, so ist nur die Einstellschraube mit Gewinde kompatibel.



No. Part Number Description

1	11.5315.042.000	Apex/Rival/Force Brake Barrel Adjuster Threaded, Qty 1
1	11.5415.016.000	Red/11 Force Brake Barrel Adjuster
2	11.5415.005.000	Rival/09 Force Brake Cable Clamp Bolt, Qty 1
3	11.5415.006.000	Rival/Force Brake Center Nut/Washer Kit, Qty 1
4	11.5415.007.000	Rival/Force Brake Center Nut Set (12, 16, 20, 30)
5	11.5115.000.000	Brake Pad Insert SRAM Road Qty 2
6	11.5115.003.000	Rival/Force Brake Pad Set Screw, Qty 2 (Mid-2007 And Later)
7	00.5315.013.030	Brake Pad/Holder Force Pair
7	00.5315.016.000	Brake Pad/Holder Rival Black Pair
7	00.5315.016.010	Brake Pad/Holder Apex Pair



Part Number	Description
11.6118.020.000	Red22 ExoGram Left Arm GXP 165
11.6118.020.001	Red22 ExoGram Left Arm GXP 1675
11.6118.020.002	Red22 ExoGram Left Arm GXP 170
11.6118.020.003	Red22 ExoGram Left Arm GXP 1725
11.6118.020.004	Red22 ExoGram Left Arm GXP 175
11.6118.020.005	Red22 ExoGram Left Arm GXP 1775
11.6115.537.020	Left Arm Apex GXP 1725 Mirror Black
11.6115.537.030	Left Arm Apex GXP 175 Mirror Black
11.6115.549.010	Left Arm Apex GXP 170 White
11.6115.549.020	Left Arm Apex GXP 1725 White
11.6115.549.030	Left Arm Apex GXP 175 White
11.6118.021.000	Force22 Left Crank Arm GXP 165
11.6118.021.001	Force22 Left Crank Arm GXP 170c
11.6118.021.002	Force22 Left Crank Arm GXP 1725
11.6118.021.003	Force22 Left Crank Arm GXP 175
11.6118.021.004	Force22 Left Crank Arm GXP 1775
11.6118.032.000	Force1/CX1 Left Crank Arm GXP 170
11.6118.032.001	Force1/CX1 Left Crank Arm GXP 1725
11.6118.032.002	Force1/CX1 Left Crank Arm GXP 175
11.6118.031.000	Rival22 Left Crank Arm GXP 170 Mirror Black
11.6118.031.001	Rival22 Left Crank Arm GXP 1725 Mirror Black
11.6118.031.002	Rival22 Left Crank Arm GXP 175 Mirror Black
11.6118.041.000	Rival1 Left Crank Arm GXP 170 Black
11.6118.041.001	Rival1 Left Crank Arm GXP 172.5 Black
11.6118.041.002	Rival1 Left Crank Arm GXP 175 Black
11.6118.044.000	Red C2 Left Crank Arm GXP 165
11.6118.044.001	Red C2 Left Crank Arm GXP 1675
11.6118.044.002	Red C2 Left Crank Arm GXP 170
11.6118.044.003	Red C2 Left Crank Arm GXP 1725
11.6118.044.004	Red C2 Left Crank Arm GXP 175
11.6118.044.005	Red C2 Left Crank Arm GXP 1775
11.6118.053.000	Apex1 Left Crank Arm GXP 165 Black
11.6118.053.010	Apex1 Left Crank Arm GXP 170 Black
11.6118.053.020	Apex1 Left Crank Arm GXP 1725 Black
11.6118.053.030	Apex1 Left Crank Arm GXP 175 Black



Part Number	Description
-------------	-------------

11.6118.023.000S100	Left Crank Arm GXP 165 Mirror Black
11.6118.023.001S100	Left Crank Arm GXP 170 Mirror Black
11.6118.023.002S100	Left Crank Arm GXP 1725 Mirror Black
11.6118.023.003S100	Left Crank Arm GXP 175 Mirror Black
11.6115.538.020	Left Arm S100 / S150 175 Power Spline Blast Black
11.6118.022.000S300	Left Crank Arm GXP 165 Mirror Black
11.6118.022.001S300	Left Crank Arm GXP 170 Mirror Black
11.6118.048.000	Left Crank Arm S350-1 GXP 170mm Mirror Black
11.6118.048.010	Left Crank Arm S350-1 GXP 1725mm Mirror Black
11.6118.048.020	Left Crank Arm S350-1 GXP 175mm Mirror Black
11.6115.504.310	Left Arm S900/S950 GXP 170 Carbon
11.6115.504.320	Left Arm S900/S950 GXP 172.5 Carbon
11.6115.504.330	Left Arm S900/S950 GXP 175 Carbon
11.6115.504.340	Left Arm S900/S950 GXP 177.5 Carbon
11.6115.541.000	Left Arm S1000 GXP 170 Blast Black
11.6115.542.000	Left Arm S1400 GXP 170 Blast Black



## Part Number Description

11.6215.172.000	Chain Ring SS/Road 44T 130 Alum 3mm Blast Black
11.6215.197.110	Chain Ring SS/Road Track 48T V1 130 AL3 Black
11.6215.197.000	Chain Ring Road Aero 42T B 10 or 11 speed V4 130 Alum 3mm Black (55-42, 54-42)
11.6215.197.010	Chain Ring Road 39T V2 130 Alum 3mm Black (53-39, 48-39)
11.6215.197.020	Chain Ring Road 34T V1 110 Alum 3mm Black (50-34)
11.6215.197.120	Chain Ring Road 46T V1 130 Alum 4mm Black (46-38)
11.6215.197.140	Chain Ring Road 38T V1 130 Alum 3mm Black (46-38)
11.6215.197.150	Chain Ring Road 38T V1 110 Alum 3mm Black (52-38)
11.6215.197.160	Chain Ring Road 36T V3 110 Alum 3mm Black (50-36, 52-36, 46-36)
11.6215.197.180	Chain Ring Road 46T S1 110 Alum 4mm Black Long Pin (Force GXP, Rival, Apex, S350, S550)
11.6215.197.190	Chain Ring Road 46T S1 110 Alum 4mm Black Short Pin (Red, Force BB30, S950)
11.6215.198.000	Chain Ring Road Red 53T S1 130 Alum 4mm Black
11.6215.198.010	Chain Ring Road Red 50T S1 110 Alum 4mm Black(50-34)
11.6215.198.020	Chain Ring Road Red TT 53T S1 Non-Hidden Bolt 130 Alum 4mm Black
11.6215.198.030	Chain Ring Road Red TT 54T S1 Non-Hidden Bolt 130 Alum 4mm Black
11.6215.198.040	Chain Ring Road Red TT 55T S1 Non-Hidden Bolt 130 Alum 4mm Black
11.6215.198.050	Chain Ring Road Red 52T S1 110 Alum 4mm Black (52-36, 52-38)
11.6218.000.000	Chain Ring Road Red X-Glide R 53T Yaw S2 Hidden Bolt 130 Alum 5mm Falcon Grey (53-39)
11.6218.000.001	Chain Ring Road Red X-Glide R 39T Yaw S1 130 Alum 3mm BlastBlack (53-39)
11.6218.001.000	Chain Ring Road Red X-Glide R 50T Yaw S2 Hidden Bolt 110 Alum 5mm Falcon Grey (50-34)
11.6218.001.001	Chain Ring Road Red X-Glide R 34T Yaw S1 110 Alum 3mm BlastBlack (50-34)
11.6218.002.000	Chain Ring Road X-Glide R 53T Yaw S2 Non-Hidden Bolt 130 Alum 5mm Falcon Grey (53-39)
11.6218.003.000	Chain Ring Road X-Glide R 50T Yaw S2 Non-Hidden Bolt 110 Alum 5mm Falcon Grey (50-34)
11.6218.005.000	Chain Ring Road Red TT 55T S1 Hidden Bolt 130 Alum 4mm Falcon Grey
11.6218.009.000	Chain Ring Road Red22X-Glide R53TYaw 11 Speed S3 Hidden Bolt/Non-Hidden Bolt 130 Alum 5mm Falcon Grey BB30 or GXP (53 39)
11.6218.009.001	Chain Ring Road Force22X-Glide R53TYaw 11 Speed S3 Hidden Bolt/Non Hidden Bolt 130 Alum 5mm Blast Black BB30 or GXP(53-39)
11.6218.009.005	Chain Ring Road X-Glide R 39T Yaw 11 Speed S2 130 Alum 3mm Blast Black (53-39)
11.6218.009.006	Chain Ring Road X-Glide R55TYaw 11 Speed S3 Hidden Bolt/NonHidden Bolt 130 Alum 5mm Blast Black BB30 or GXP (55-42)
11.6218.010.000	Chain Ring Road Red22X-Glide R50TYaw 11 Speed S3 Hidden Bolt/Non-Hidden Bolt 110 Alum 5mm Falcon Grey BB30 or GXP (50 34)
11.6218.010.001	Chain Ring Road Force22X-Glide R50TYaw 11 Speed S3 Hidden Bolt/Non Hidden Bolt 110 Alum 5mm Blast Black BB30 or GXP (50-34)
11.6218.010.002	Chain Ring Road X-Glide R 46T Yaw 11 Speed S2 Hidden Bolt/Non/Hidden Bolt 110 Alum 5mm Blast Black BB30 or GXP (46/36)
11.6218.010.008	Chain Ring Road Red X-Glide R 34T Yaw 11 Speed S2 110 Alum 3mm Blast Black (50-34)
11.6218.010.009	Chain Ring Road Red X-Glide R 36T Yaw 11 Speed S1 110 Alum 3mm Blast Black (52-36, 46-36)
11.6218.010.010	Chain Ring Road Red22X-Glide R52TYaw 11 Speed S3 Hidden Bolt/Non-Hidden Bolt 110 Alum 5mm Falcon Grey BB30 or GXP (52 36)
11.6218.010.011	Chain Ring Road Force22X-Glide R52TYaw 11 Speed S3 Hidden Bolt/Non Hidden Bolt 110 Alum 5mm Blast Black BB30 or GXP (52-36)
11.6218.016.000	Chain Ring Road X-Glide R52TYaw 11 Speed S2 Hidden Bolt/Non-Hidden Bolt 110 Alum 5mm Silver BB30 or GXP (52-36)
11.6218.016.001	Chain Ring Road X-Glide R50TYaw 11 Speed S3 Hidden Bolt/Non-Hidden Bolt 110 Alum 5mm Silver BB30 or GXP (50-34)
11.6218.019.000	Chain Ring X-Sync 48T 110BCD Alum 7mm Black 11 speed
11.6218.019.001	Chain Ring X-Sync 50T 110BCD Alum 7mm Black 11 speed
11.6218.020.000	Chain Ring X-Sync 52T 11 Speed 130 Alum Argon Grey BB30 or GXP
11.6218.020.001	Chain Ring X-Sync 54T 11 Speed 130 Alum Argon Grey BB30 or GXP
11.6218.015.000	Chain Ring X-Sync 38T 11 Speed 110 Alum Argon Grey BB30 or GXP
11.6218.015.001	Chain Ring X-Sync 40T 11 Speed 110 Alum Argon Grey BB30 or GXP
11.6218.015.002	Chain Ring X-Sync 42T 11 Speed 110 Alum Argon Grey BB30 or GXP
11.6218.015.003	Chain Ring X-Sync 44T 11 Speed 110 Alum Argon Grey BB30 or GXP
11.6218.015.004	Chain Ring X-Sync 46T 11 Speed 110 Alum Argon Grey BB30 or GXP
11.6218.015.005	Chain Ring X-Sync 48T 11 Speed 110 Alum Argon Grey BB30 or GXP
11.6218.015.006	Chain Ring X-Sync 50T 11 Speed 110 Alum Argon Grey BB30 or GXP
11.6215.197.170	Chain Ring Road 30T Triple V4 74 Alum Black (52-39-30, 50-39 30)
11.6215.197.080	Chain Ring Road 48T V2 110 Alum 4mm Black BB30 Short Pin (48 34)
11.6215.197.090	Chain Ring Road 48T V2 110 Alum 4mm Black GXP Long Pin (48-34)
11.6215.197.060	Chain Ring Road 50T B V2 110 Alum 4mm Black (50-34)
11.6215.197.050	Chain Ring Road 50T A V4 110 Alum 4mm Black (50-36)
11.6215.197.130	Chain Ring Road 39T V4 130 Triple Alum 3mm Black (52-39-30,50-39-30)
11.6215.197.070	Chain Ring Road 50T Triple V1 130 Alum 4mm Black (50-39-30)
11.6215.197.040	Chain Ring Road 52T B Triple V2 130 Alum 4mm Black (52-39-30)
11.6215.197.030	Chain Ring Road 53T V4 130 Alum 4mm Black



## SPIDERS

Part Number	Description
11.6918.000.000	Chain Ring Bolt Kit Red Quarq Hidden Bolt 5-arm Steel Black
11.6918.000.001	Chain Ring Bolt Kit Red Hidden Bolt 5/arm Aluminum Black
11.6118.033.000	Spider Force22/CX1 110BCD 11Speed Blast Black
11.6118.033.001	Spider Force22/CX1 130BCD 11Speed Blast Black
11.6118.004.000	XX1 Specialized Spider with Chain Ring Bolts 76BCD 11Speed Zephyr Grey
11.6915.009.000	Chain Ring Bolt Kit 5-Arm Double Aluminum Black
11.6915.008.000	Chain Ring Bolt Kit 5-arm Double Aluminum Silver
11.6915.012.000	Chain Ring Bolt Kit 5 Steel/Black
11.6218.017.000	Spacers (Qty 5) and Hidden Bolt/Nut kit for CX1 Chainring
11.6118.027.000	Spider Bolt Kit T20 Qty 8 Quarq
11.6118.049.000	Spider 8 Bolt Hidden Bolt 130BCD No Power Meter
11.6118.049.001	Spider 8 Bolt Hidden Bolt 110BCD No Power Meter
11.6118.050.000	Spider 8 Bolt Non-Hidden Bolt 130BCD No Power Meter
11.6118.050.001	Spider 8 Bolt Non-Hidden Bolt 110BCD No Power Meter
11.6118.051.000	Spider 8 Bolt 110BCD No Power Meter (Use with Aluminum Crankarm)

## CASSETTES

11.2418.000.000	XG1090 X-Dome Stealth Ring Set 11-23
11.2418.000.001	XG1090 X-Dome Stealth Ring Set 11-25/26
11.2418.000.002	XG1090 X-Dome Stealth Ring Set 11-28
11.2415.013.000	Cassette Lockring Aluminum OG1070, PG970 For 12T
11.2415.027.010	Cassette PG1050, PG950 Lockring 12T Steel
11.2415.022.000	Cassette Lockring Aluminum PG990, PG970 Dh for 11T Red
11.2418.001.000	XG1190 X-Dome Stealth Ring Set 11-25/26
11.2418.001.001	XG1190 X-Dome Stealth Ring Set 11-28
11.2418.002.000	XG1190 Cassette Lockring 11t 11speed Aluminum
11.2418.004.000	Cassette Lockring Steel PG1130 11-42, PG 720 11-25

## BOTTOM BRACKETS

11.6415.007.000	Bottom Bracket Shield and Wave Washer Assembly PressFit GXP Road
11.6415.007.020	Bottom Bracket Shield and Wave Washer Assembly BB30 Bearing
11.6115.533.000	Spindle Spacer, BB30 - DS 13
11.6115.533.010	Spindle Spacer, BB30 - Drive Side 9.11
11.6115.533.020	Spindle Spacer, BB30 - Drive Side 15.46
11.6415.005.000	BB30 Spacer Kit 2 X 2.5mm
11.6900.002.160	Crank Arm Bolt M15/M26 Alloy Self-Extracting GXP Black Qty 1
11.6900.002.140	Crank Arm Bolt M15/M26 Alloy Self-Extracting GXP Silver Qty1
11.6115.115.000	Crank Arm Bolts M8 Capless Qty 2 for Square-taper & PowerSpline
11.6900.002.050	Crank Arm Bolts M15 Capless Qty 2 for ISIS & Hwtzr M15
11.6115.530.050	Crank Arm Bolt M18/M30 Alloy Self-Extracting BB30 Left (Black Red, Force) Qty 1
00.6415.032.010	Tool BB30 to BSA Adapter Removal Kit
00.6415.032.020	BB30 Bearing Install Kit
00.6415.032.030	BB30 Bearing Removal Tool
11.6415.003.000	BB30 Shim/Wave Washer Kit
11.6215.195.000	Aero Guard Via 48T Clear Smoke
11.6700.002.010	Pedal Washers Chromo, Qty 2
11.6118.054.000	Spindle Spacer Kit, BB30 Force, Quarq, and S-Series Road BB30 to BB386



## SPOKES

Part Number Description

- 11.1915.000.080 Spokes & Nipples 3-pack 220mm Bladed for S80 Rear Drive side Black
- 11.1915.000.090 Spokes & Nipples 3-pack 236mm Bladed for S80 Front Black
- 11.1915.000.100 Spokes & Nipples 3-pack 246mm Bladed for S60 Rear Drive side Black
- 11.1915.000.110 Spokes & Nipples 3-pack 248mm Bladed for S80 Rear Non-Drive side Black
- 11.1915.000.160 Spokes & Nipples 3-pack 262mm Bladed for S40 Rear Drive Black
- 11.1915.000.130 Spokes & Nipples 3-pack 272mm Bladed for S60 Rear Non-drive side Black
- 11.1915.000.140 Spokes & Nipples 3-pack 276mm Bladed for S40 Front Black
- 11.1915.000.170 Spokes & Nipples 3-pack 290mm Bladed for S40 Rear Non-drive side Black
- 11.1915.016.000 Spokes & Nipples 3-pack 278mm CX for S27 Front
- 11.1915.016.020 Spokes & Nipples 3-pack 280mm CX for S27 Rear Non-drive side
- 11.1915.016.110 Spokes & Nipples 3-pack 286mm CX Sprint for S30 Sprint Rear Non-Drive side
- 11.1915.016.120 Spokes & Nipples 3-pack 282mm CX Ray for S30 Race Front

## FREEHUB BODIES

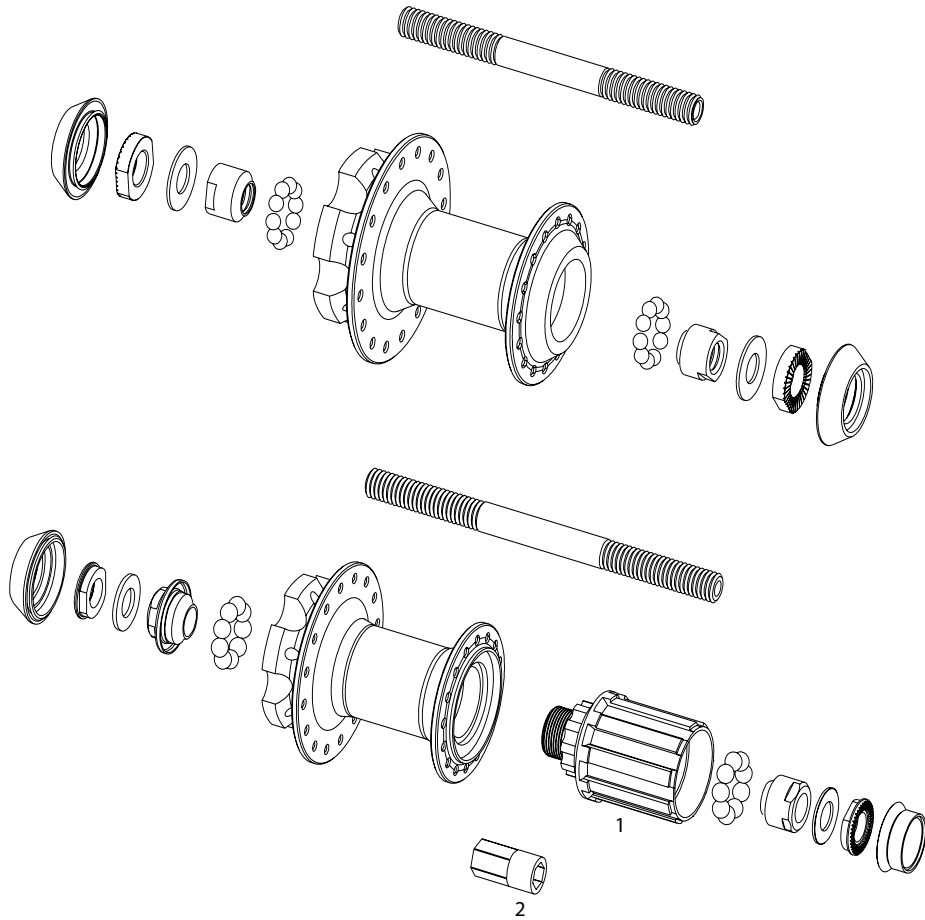
- 11.1915.001.000 Freehub body with seal, SRAM/Shimano spline S40/S60/S80
- 11.1915.017.000 Freehub body with seal, SRAM/Shimano spline S27/30

## BEARINGS

- 11.1915.003.010 Hub Bearings Rear Pair S40/S60/S80
- 11.1915.003.020 Hub Bearings Front Pair S30/S27
- 11.1915.003.030 Hub Bearings Rear Pair S30/S27

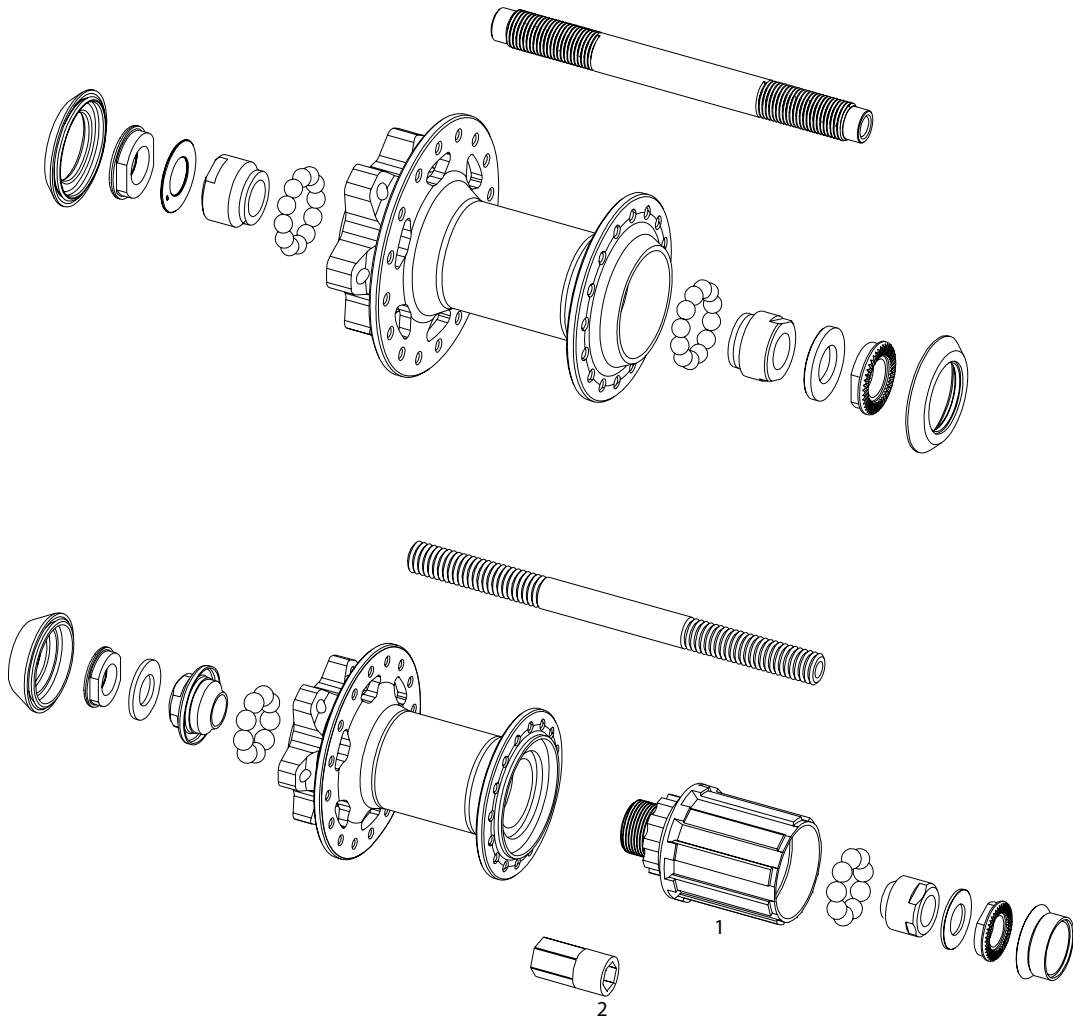
## TOOLS

- 11.1915.007.000 Nipple Drive 5.5mm Socket 115mm
- 14.1915.006.000 Bearing removal & installation tools for S40, S60, S80 & FlashPoint Wheels
- 14.1915.007.000 Bearing removal & installation tools for S27/S30 Wheels



No. Part Number Description

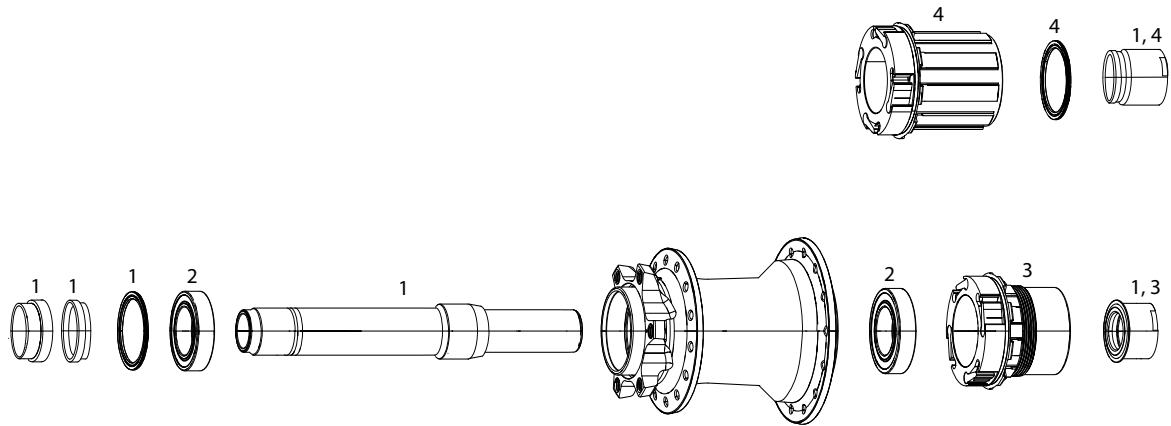
- 1 11.2015.018.100Kit Freehub Body, MTH 406
- 2 14.2015.000.000SRAM MTB Hub FH Body Removal Tool (11mm adapter)



No. Part Number Description

- 1 11.2015.023.100Kit Freehub Body, MTH 506
- 2 14.2015.000.000SRAM MTB Hub FH Body Removal Tool (11mm adapter)



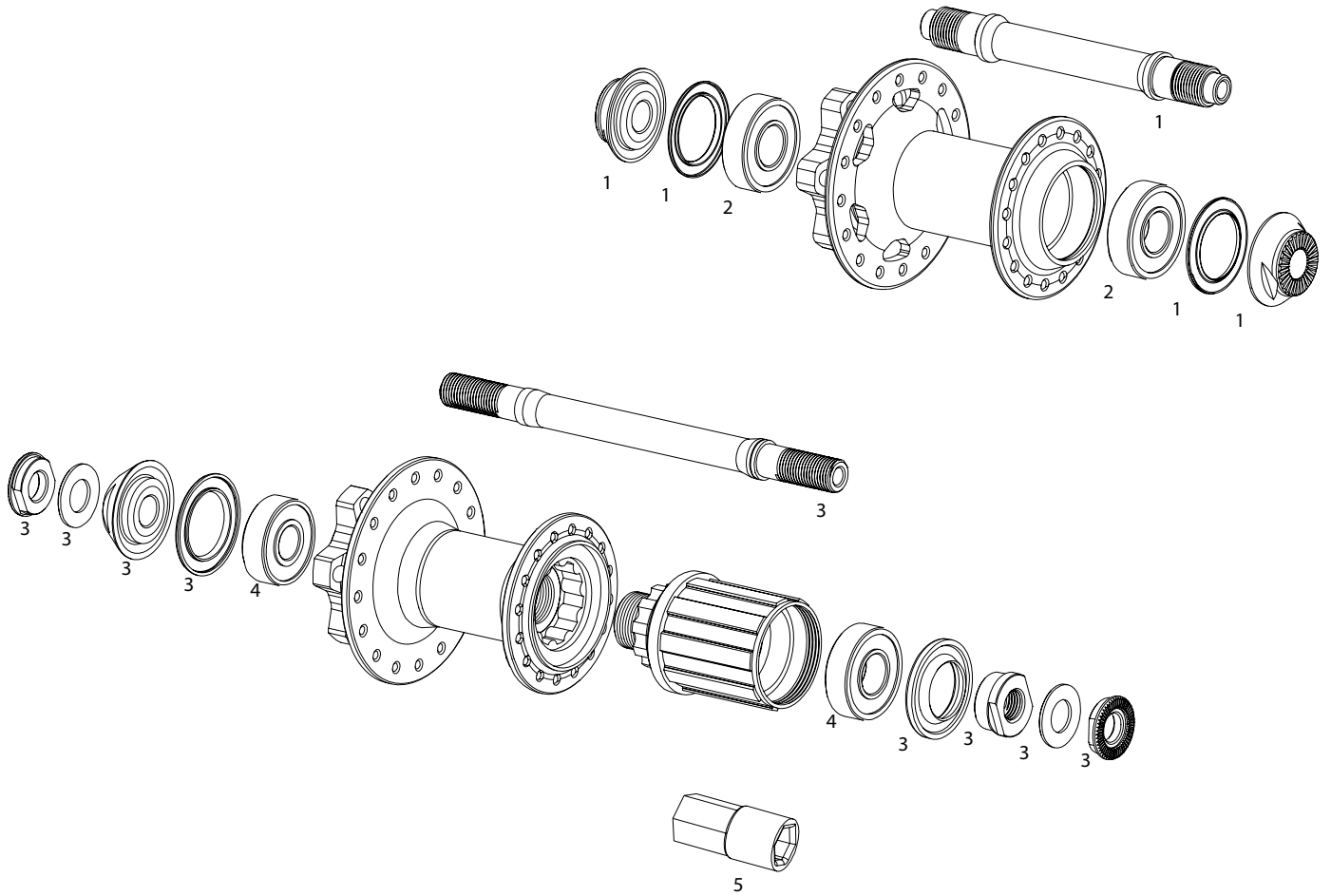


NOTES:

- 1. 746 hubs are not convertible from 9/10 speed Cassette body to XD Cassette Driver body
- 2. 716 hubs use 18307 bearings

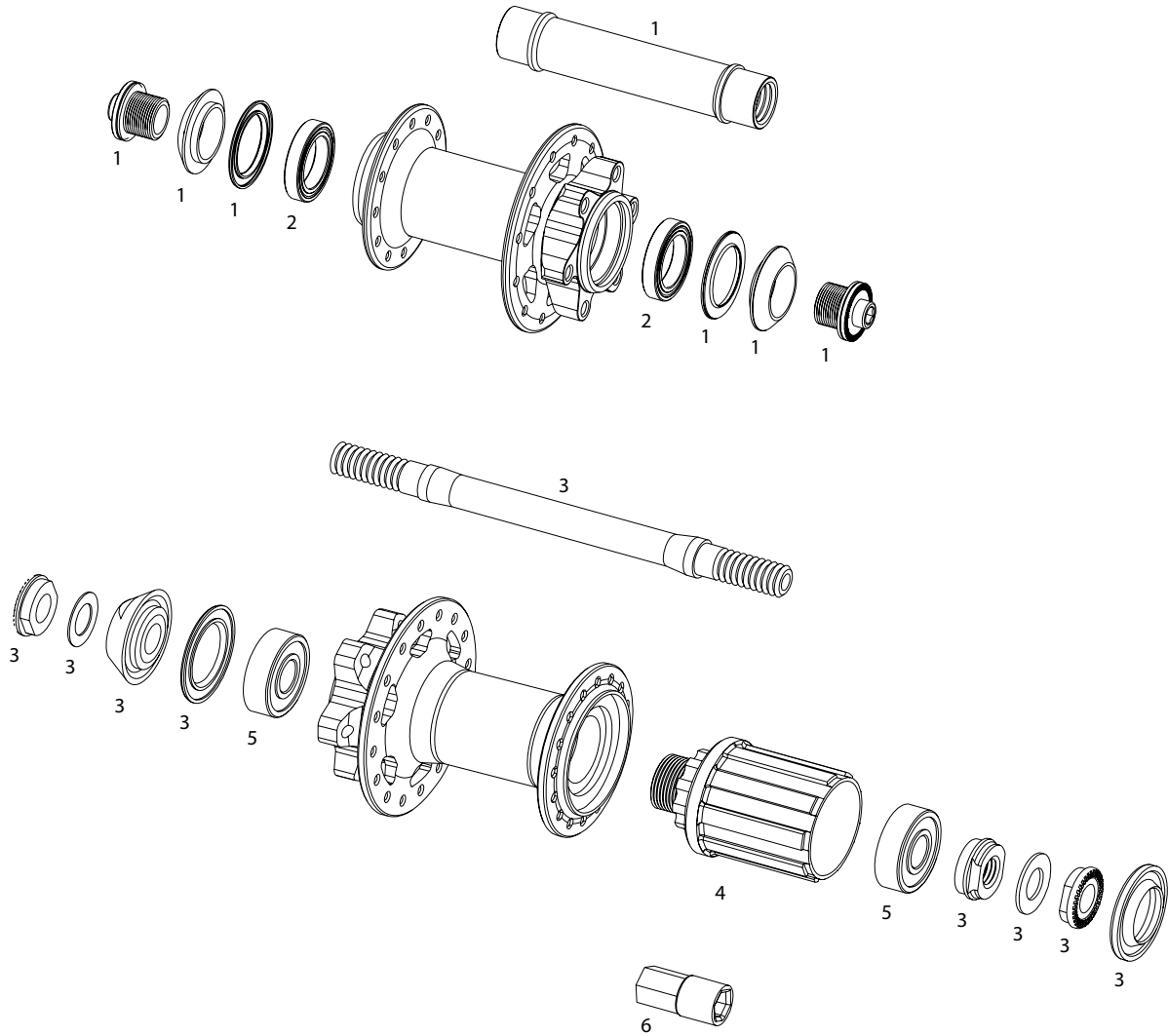
No. Part Number Description

1	11.2018.026.000	Kit Complete Axle Assembly (includes axle, threaded lock nuts and end caps) - MTH-746 XD Rear
1	11.2018.027.000	Kit Complete Axle Assembly (includes axle, threaded lock nuts and end caps) - MTH-746 Cassette Rear
1	11.2018.028.000	Kit Complete Axle Assembly (includes axle, threaded lock nuts and end caps) - MTH-746 Boost Compatible XD Rear
1	11.2018.029.000	Kit Complete Axle Assembly (includes axle, threaded lock nuts and end caps) - MTH-746 Boost Compatible Cassette Rear
2	11.2018.026.002	Kit Hub Bearings MTH-746 Rear - 2-6903/61903
3	11.2018.026.001	Kit Freehub XD Driver Body 11 Speed MTH-746
4	11.2018.027.001	Kit Freehub Cassette Body 9/10 Speed MTH-746
ns	00.1918.145.008	Conversion Caps Hub MTH 716 Front - 15 Through Axle



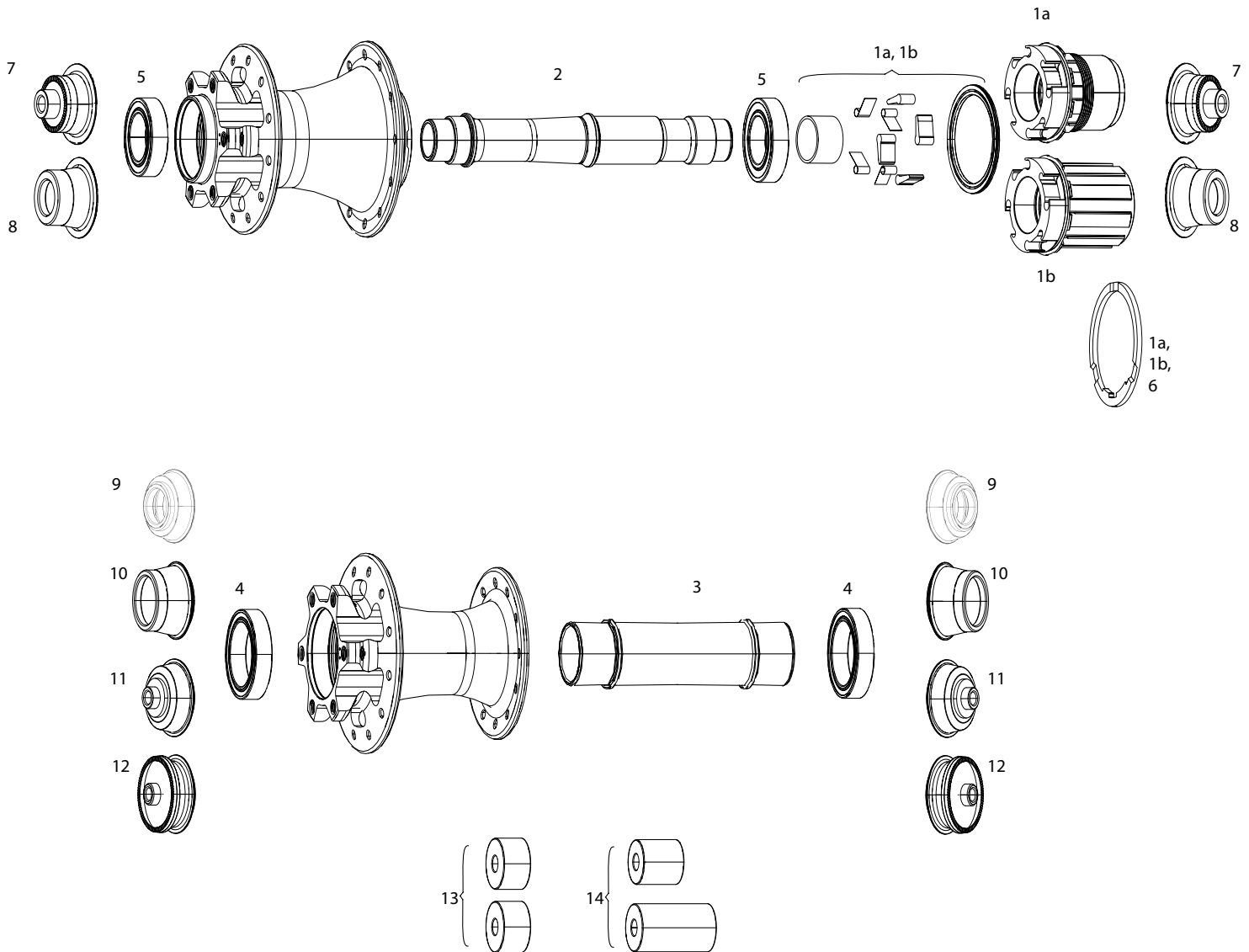
No. Part Number Description

- 1 11.2015.020.000Kit Axle Assembly X-7 & X-9 V2 Front
- 2 11.2015.024.100Kit Hub Bearings X-7 Front, 2-6001
- 3 11.2015.021.000Kit Axle Assembly X-7 Rear
- 4 11.2015.021.100Kit Hub Bearings X-7 Rear, 2-6000
- 5 14.2015.000.000SRAM MTB Hub FH Body Removal Tool (11mm adapter)



No. Part Number Description

1	11.2015.025.000	Kit Axle Assembly X-9 F 20x110
1	11.2015.026.000	Kit Axle Assembly X-9/Rise 40 F 15x100
1	11.2015.027.000	Kit Complete Axle, X-9 Front
2	11.2015.020.100	Kit Hub Bearings X-9 V2 Front, 2-6001
2	11.2015.025.100	Kit Hub Bearings X-9 20x110, 2-6804
2	11.2015.026.100	Kit Hub Bearings X-9/Rise 40 15x100, 2-6804
2	11.2015.027.100	Kit Hub Bearings, X-9 Front, 2-6803/61803
3	11.2015.019.000	Kit Axle Assembly X-9 V2 Rear
3	11.2015.028.000	Kit Complete Axle Assembly, X-9/Rise 40 Rear
3	11.2015.029.000	Kit Axle Assembly X-9 R 12x135
3	11.2015.030.000	Kit Axle Assembly X-9/Rise 40 R 12x142
4	11.2015.019.200	Kit Freehub Body X-9 V2 Rear
4	11.2015.028.100	Kit Freehub Body, X-9/X-7/Rise 40,
4	11.2015.029.100	Kit Freehub Body X-9/Rise 40 12x135/142
5	11.2015.019.100	Kit Hub Bearings X-9 V2 Rear, 1-6803/61803, 1-6000
5	11.2015.028.200	Kit, Hub Bearings, X-9/Rise 40 Rear, 2-6000
5	11.2015.029.200	Kit Hub Bearings X-9 Rear 12x135/142, 2-6903/61903
6	14.2015.000.000	SRAM MTB Hub FH Body Removal Tool (11mm adapter)



NOTES:

- 1. 900 hubs use Double Time internals.
- 2. 900 Hubs use XD-R Driver which requires a 1.85 cassette spacer to install XD 10-42T Cassette.
- 3. See Maxle page for complete list of Maxle options

HUB SPARE PARTS

No. Part Number Description

- 1a 11.1918.000.013 Freehub Body with Bearings Double Time 11 Speed XD-R (28.6mm Long Driver) - 900
- 1b 11.1918.000.014 Freehub Body with Bearings Double Time 9/10/11 Speed Double Time - 900
- 2 11.1918.002.018 Hub Axle Rear Standard Double Time (includes axle assembly) 900
- 2 11.1918.002.019 Hub Axle Rear Boost Double Time (includes axle assembly) - 900 Boost
- 3 11.1918.002.012 Hub Axle Front - X0 Hubs/Rise 60 (B1)/Roam 30/Roam 40/Rail 40/Rise XX/900/Roam 50/60 (B1)
- 3 11.1918.002.016 Hub Axle Front Double Time 15x110 Boost Compatible (only for Boost front hubs) - X0 A1/ Roam 30/40/Roam 50/60 (B1)/ 900
- 4 11.1918.003.030 Hub Bearing Set Front Double Time (includes 2-23327) - X0 Hubs/Rise 60 (B1)/Roam 30/Roam 40/Roam 50/60 (B1)/Rail 40
- 5 11.1918.003.040 Hub Bearing Set Rear Double Time (includes 1-6903/61903&1-63803D28) - X0 Hubs/Rise 60 (B1)/Roam 30/Roam 40/Roam 50/60 (B1)/Rail 40
- ns 11.1918.003.050 Hub Bearing Set Freehub Double Time (includes 2-63803D28) - X0 Hubs/Rise 60 (B1)/Roam 30/Roam 40/Roam 50/60 (B1)/Rail 40
- 6 11.1918.008.000 Cassette Spacer 10 speed 188 SRAM Freehub 11 speed - Zipp 188/177/ SRAM 900 Hub



## AXLE CONVERSION END CAPS

No.	Part Number	Description
7	00.1918.145.004	Conversion Caps Hub Double Time Rear, 10x135 QR, fits 9/10 Speed Driver Body - X0Hubs/900Hubs/Rise60 (B1)/Roam30/Roam40/Roam50/60(B1)/Rail40/RiseXX
7	00.1918.145.006	Conversion Caps Hub Double Time Rear, 10x135 QR, fits XD/XD-R Driver Bodies - X0Hubs/900Hubs/Rise60 (B1)/Roam30/Roam40/Roam50/60(B1)/Rail40/RiseXX
8	00.1918.145.007	ConversionCapsHubDoubleTimeRear,12x142/12x157X0DH/12x148Boost,fitsXD/XD-RDriverBodies-X0Hubs/900Hubs/Rise60(B1)/Roam30/Roam40/Roam50/60(B1)/Rail40/RiseXX
8	00.1918.145.010	Conversion Caps Hub Double Time Rear, 12x142/12x157 X0 DH/12x148 Boost, Through Axle,9/10 Speed Driver Body - X0Hubs/900Hubs/Rise60 (B1)/Roam30/Roam40/Roam50/60(B1)/Rail40/RiseXX
8	00.1918.145.009	Conversion Caps Hub Double Time Rear, 12x135 Through Axle, fits 9/10 Speed Driver Body - X0Hubs/900Hubs/Rise60 (B1)/Roam30/Roam40/Roam60(B1)/Rail40/RiseXX
8	00.1918.145.011	ConversionCapsHubDoubleTimeFront,15x100/15x110Boost,31mmThroughAxle,TorqueCapRockShoxForks-X0Hubs/900Hubs/Rise60(B1)/Roam30/Roam40/Roam50/60(B1)/Rail40/RiseXX
8	00.1918.145.012	ConversionCapsHubDoubleTimeRear-12x135,12X150X0DHThroughAxle,fitsXD/XD-RDriverBodies-X0Hubs/900Hubs/Rise60(B1)/Roam30/Roam40/Roam50/60(B1)/Rail40/RiseXX
9	00.1918.145.002	Conversion Caps Hub Double Time Front, 15x100mm Through Axle X0Hubs/900Hubs/Rise60 (B1)/Roam30/Roam40/Roam50/60(B1)/Rail40/RiseXX
9	00.1918.145.013	Conversion Caps Hub Double Time Front - 12x100 - X0Hubs/900Hubs/Rise60 (B1)/Roam30/Roam40/Roam50/60(B1)/Rail40/RiseXX
10	00.1918.145.003	Conversion Caps Hub Double Time Front, 20x110 Through Axle -X0Hubs/900Hubs/Rise60 (B1)/Roam30/Roam40/Roam50/60(B1)/Rail40/RiseXX
11	00.1918.145.000	Conversion Caps Hub Double Time Front, 9x100 QR 19mm Standard - X0Hubs/900Hubs/Rise60 (B1)/Roam30/Roam40/Roam50/60(B1)/Rail40/RiseXX
12	00.1918.145.001	Conversion Caps Hub Double Time Front, 9x100 QR 31mm RockShox - X0Hubs/900Hubs/Rise60 (B1)/Roam30/Roam40/Roam50/60(B1)/Rail40/RiseXX

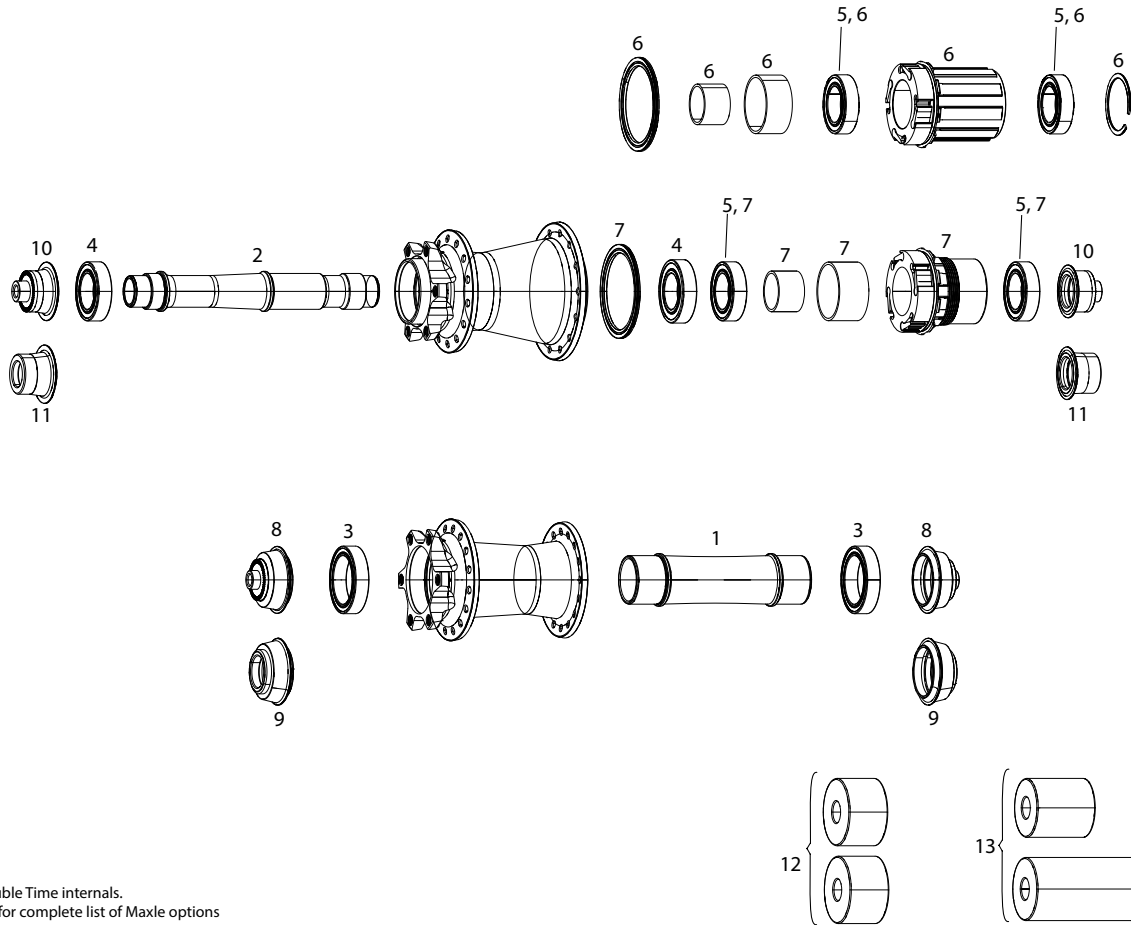
## QUICK RELEASE & MAXLES (for complete list see Maxle page)

ns	00.4318.005.001	Axle Maxle Ultimate Front MTB, 15x100, Length 148mm, ThreadLength 9mm, Thread Pitch M15x1.50 - PIKE, R51, Lyrik B1, Yari
ns	00.4318.005.002	Axle Maxle Lite Front MTB, 15x100, Length 148mm, Thread Length 9mm, Thread Pitch M15x1.50 - SID/Reba/Revelation/Recon/Sektor/XC32
ns	00.4318.005.004	Axle Maxle Lite Front MTB, 15x110, Length 158mm, Thread Length 9mm, Thread Pitch M15x1.50 Boost Compatible - SID/Reba
ns	00.4318.005.007	Axle Maxle Ultimate Front MTB, 15x110, Length 158mm, ThreadLength 9mm, Thread Pitch M15x1.50 - PIKE, Lyrik B1, Yari Boost Compatible
ns	00.4318.005.008	Axle Maxle Ultimate Rear MTB, 12x135, Length 167mm, Thread Length 20mm, Thread Pitch M12x1.75 - Standard
ns	00.4318.005.009	Axle Maxle Ultimate Rear MTB, 12x142, Length 174mm, Thread Length 20mm, Thread Pitch M12x1.75 - Standard
ns	00.4318.005.010	Axle Maxle Ultimate Rear MTB, 12x148, Length 180mm, Thread Length 20mm, Thread Pitch M12x1.75 - Boost Compatible
ns	00.4318.005.011	Axle Maxle Ultimate Rear MTB, 12x150, Length 182mm, Thread Length 20mm, Thread Pitch M12x1.75 - Standard
ns	00.4318.005.012	Axle Maxle Ultimate Rear MTB, 12x148, Length 188mm, Thread Length 20mm, Thread Pitch M12x1.75 - Boost Compatible
ns	00.4318.005.018	Axle Maxle Stealth Front MTB, 15x100, Length 148mm, Thread Length 9mm, Thread Pitch M15x1.50 (not compatible with RS-1) Standard
ns	00.4318.005.019	Axle Maxle Stealth Front MTB, 15x110, Length 158mm, Thread Length 9mm, Thread Pitch M15x1.50 - Boost Compatible
ns	00.1915.232.010	Quick Release Pair Rise 60 Stainless
ns	00.1915.002.020	Quick Release Pair X.9 Steel Black for MTB Wheels
ns	00.4318.005.020	Axle Maxle Stealth Front MTB, 15x150, Length 198mm, Thread Length 9mm, Thread Pitch M15x1.50 - Bluto
ns	00.4318.005.021	Axle Maxle Stealth Front Road, 12x100, Length 118.5mm, Thread Length 9mm, Thread Pitch M12X1.5 - Road Forks
ns	00.4318.005.022	Axle Maxle Stealth Rear MTB, 12x142, Length 160mm, Thread Length 20mm, Thread Pitch M12X1.5 - Road Frames
ns	00.4318.005.023	Axle Maxle Stealth Rear MTB, 12x142, Length 164mm, Thread Length 10mm, Thread Pitch M12X1.5 - Standard Frames
ns	00.4318.005.024	Axle Maxle Stealth Rear MTB, 12x142, Length 167mm, Thread Length 20mm, Thread Pitch M12X1.0 - Santa Cruz, Scott Frames
ns	00.4318.005.025	Axle Maxle Stealth Rear MTB, 12x148, Length 170mm, Thread Length 10mm, Thread Pitch M12X1.5 - Boost E-Thru Interface Frames
ns	00.4318.005.026	Axle Maxle Stealth Rear MTB, 12x142, Length 170.5mm, ThreadLength 14mm, Thread Pitch M12X1.5 - Giant Frames
ns	00.4318.005.027	Axle Maxle Stealth Rear MTB, 12x142, Length 174mm, Thread Length 20mm, Thread Pitch M12X1.75 - Standard Frames
ns	00.4318.005.028	Axle Maxle Stealth Rear MTB, 12x148, Length 180mm, Thread Length 20mm, Thread Pitch M12X1.75 - Boost Frames
ns	00.4318.005.029	Axle Maxle Stealth Rear MTB, 12x148, Length 188mm, Thread Length 20mm, Thread Pitch M12X1.75 - Boost Split Pivot Frames
ns	00.4318.005.030	Axle Maxle Stealth Rear MTB, 12x148, Length 195mm, Thread Length 20mm, Thread Pitch M12X1.75 - Boost Trek ABP Frames

## TOOLS & SUPPORT

ns	00.4318.008.000	Grease SRAM Butter 20ml Syringe, Friction Reducing Grease bySlickoleum - Recommended for X0/Rise XX/Roam 40, 30/Rail 40/Rise 60 B1/ Hub Pawls, RockShox Forks and Reverb Service
ns	00.4318.008.003	Grease SRAM Butter 500ml Container, Friction Reducing Greaseby Slickoleum - Recommended for SRAM Double Time Hubs & Wheels, RockShox Forks and Reverb Service
13	00.1918.177.010	Bearing Press Tool 23x32x7, Front Hub - X0 Hubs/900 Hubs/Rise 60 (B1)/Roam 30/Roam 40/Roam 60(B1)/Rail 40/Rise XX
14	00.1918.177.040	Bearing Press Tools 6903/63803D28, Rear Hub - X0 Hubs/900 Hubs/Rise 60 (B1)/Roam 30/Roam 40/Roam 60(B1)/Rail 40/Rise XX

# X0 - MTB HUB (2015-2018) A1



NOTES:  
 1. X0 hubs use Double Time internals.  
 2. See Maxle page for complete list of Maxle options

## HUB SPARE PARTS

No.	Part Number	Description
1	11.1918.002.012	Hub Axle Front - X0 Hubs/Rise 60 (B1)/Roam 30/Roam 40/Rail 40/Rise XX/900/Roam 50/60 (B1)
1	11.1918.002.016	Hub Axle Front Double Time 15x110 Boost Compatible (only for Boost front hubs) - X0 A1/ Roam 30/40/Roam 50/60 (B1)/ 900
2	11.1918.002.013	Hub Axle Rear - X0 Hubs/Rise 60 (B1)/Roam 30/Roam 40/Rail 40/Rise XX/ Roam 50/60 (B1)
2	11.1918.002.015	Hub Axle Rear X0 12X148 Boost Compatible (only for Boost rear hubs) - X0, Roam 30/40, Rail 40/Roam 50/60 (B1)
2	11.1918.002.017	Hub Axle Rear X0 12X150, 12x157 - X0 DH
3	11.1918.003.030	Hub Bearing Set Front Double Time (includes 2-23327) - X0 Hubs/Rise 60 (B1)/Roam 30/Roam 40/Roam 50/60 (B1)/Rail 40
4	11.1918.003.040	Hub Bearing Set Rear Double Time (includes 1-6903/61903 & 1-63803D28) - X0 Hubs/Rise 60 (B1)/Roam 30/Roam 40/Roam 50/60 (B1)/Rail 40
5	11.1918.003.050	Hub Bearing Set Freehub Double Time (includes 2-63803D28) -X0 Hubs/Rise60 (B1)/Roam 30/Roam 40/Roam 50/60 (B1)/Rail 40
6	11.1918.000.011	Freehub Body with Bearings 9/10 Speed - X0 Hubs/Rise 60 (B1)/Roam 30/Roam 40/Rail 40/Rise XX/Roam 50/60 (B1)
7	11.1918.000.012	Freehub Body with Bearings 11 Speed XD - X0 Hubs/Rise 60 (B1)/Roam 30/Roam 40/Rail 40/Rise XX/Roam 50/60 (B1)

## CONVERSION CAPS

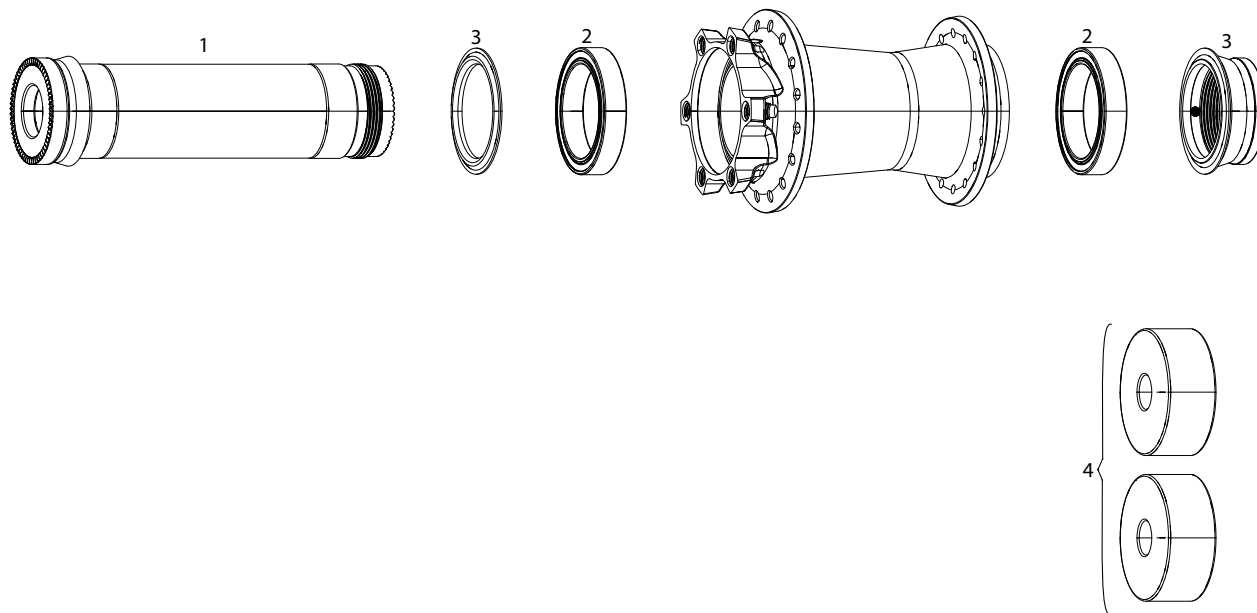
8	00.1918.145.000	Conversion Caps Hub Double Time Front, 9x100 QR 19mm Standard - X0Hubs/900Hubs/Rise60 (B1)/Roam30/Roam40/Roam50/60(B1)/Rail40/RiseXX
8	00.1918.145.001	Conversion Caps Hub Double Time Front, 9x100 QR 31mm RockShox - X0Hubs/900Hubs/Rise60 (B1)/Roam30/Roam40/Roam50/60(B1)/Rail40/RiseXX
9	00.1918.145.002	Conversion Caps Hub Double Time Front, 15x100mm Through Axle X0Hubs/900Hubs/Rise60 (B1)/Roam30/Roam40/Roam50/60(B1)/Rail40/RiseXX
9	00.1918.145.003	Conversion Caps Hub Double Time Front, 20x110 Through Axle -X0Hubs/900Hubs/Rise60 (B1)/Roam30/Roam40/Roam50/60(B1)/Rail40/RiseXX
10	00.1918.145.004	Conversion Caps Hub Double Time Rear, 10x135 QR, fits 9/10 Speed Driver Body - X0Hubs/900Hubs/Rise60 (B1)/Roam30/Roam40/Roam50/60(B1)/Rail40/RiseXX
10	00.1918.145.006	Conversion Caps Hub Double Time Rear, 10x135 QR, fits XD/XD-R Driver Bodies - X0Hubs/900Hubs/Rise60 (B1)/Roam30/Roam40/Roam50/60(B1)/Rail40/RiseXX
11	00.1918.145.007	Conversion Caps Hub Double Time Rear, 12x142/12x157 X0 DH/12x148 Boost, fits XD/XD-R Driver Bodies -X0Hubs/900Hubs/Rise60(B1)/Roam30/Roam40/Roam50/60(B1)/Rail40/RiseXX
11	00.1918.145.009	Conversion Caps Hub Double Time Rear, 12x135 Through Axle, fits 9/10 Speed Driver Body - X0Hubs/900Hubs/Rise60 (B1)/Roam30/Roam40/Roam60(B1)/Rail40/RiseXX
11	00.1918.145.010	Conversion Caps Hub Double Time Rear, 12x142/12x157 X0 DH/12x148 Boost, Through Axle,9/10 Speed Driver Body - X0Hubs/900Hubs/Rise60 (B1)/Roam30/Roam40/Roam50/60(B1)/Rail40/RiseXX
11	00.1918.145.011	Conversion Caps Hub Double Time Front, 15x100/15x110 Boost,31mm Through Axle,Torque Cap RockShox Forks - X0Hubs/900Hubs/Rise60 (B1)/Roam30/Roam40/Roam50/60(B1)/Rail40/RiseXX
11	00.1918.145.012	Conversion Caps Hub Double Time Rear - 12x135, 12X150 X0 DH Through Axle, fits XD/XD-R Driver Bodies -X0Hubs/900Hubs/Rise60 (B1)/Roam30/Roam40/Roam50/60 (B1)/Rail40/RiseXX

## QUICK RELEASE & MAXLES (for complete list see Maxle page)

ns	00.4318.005.001	Axle Maxle Ultimate Front MTB, 15x100, Length 148mm, Thread Length 9mm, Thread Pitch M15x1.50 - PIKE, RS1, Lyrik B1, Yari
ns	00.4318.005.018	Axle Maxle Stealth Front MTB, 15x100, Length 148mm, Thread Length 9mm, Thread Pitch M15x1.50 (not compatible with RS-1) Standard

## TOOLS & SUPPORT

12	00.1918.177.010	Bearing Press Tool 23x32x7, Front Hub - X0 Hubs/900 Hubs/Rise 60 (B1)/Roam 30/Roam 40/Roam 60(B1)/Rail 40/Rise XX
13	00.1918.177.040	Bearing Press Tools 6903/63803D28, Rear Hub - X0 Hubs/900 Hubs/Rise 60 (B1)/Roam 30/Roam 40/Roam 60(B1)/Rail 40/Rise XX
ns	00.4318.008.000	Grease SRAM Butter 20ml Syringe, Friction Reducing Grease by Slickoleum - Recommended for X0/Rise XX/Roam 40, 30/Rail 40/Rise 60 B1/ Hub Pawls, RockShox Forks and Reverb Service



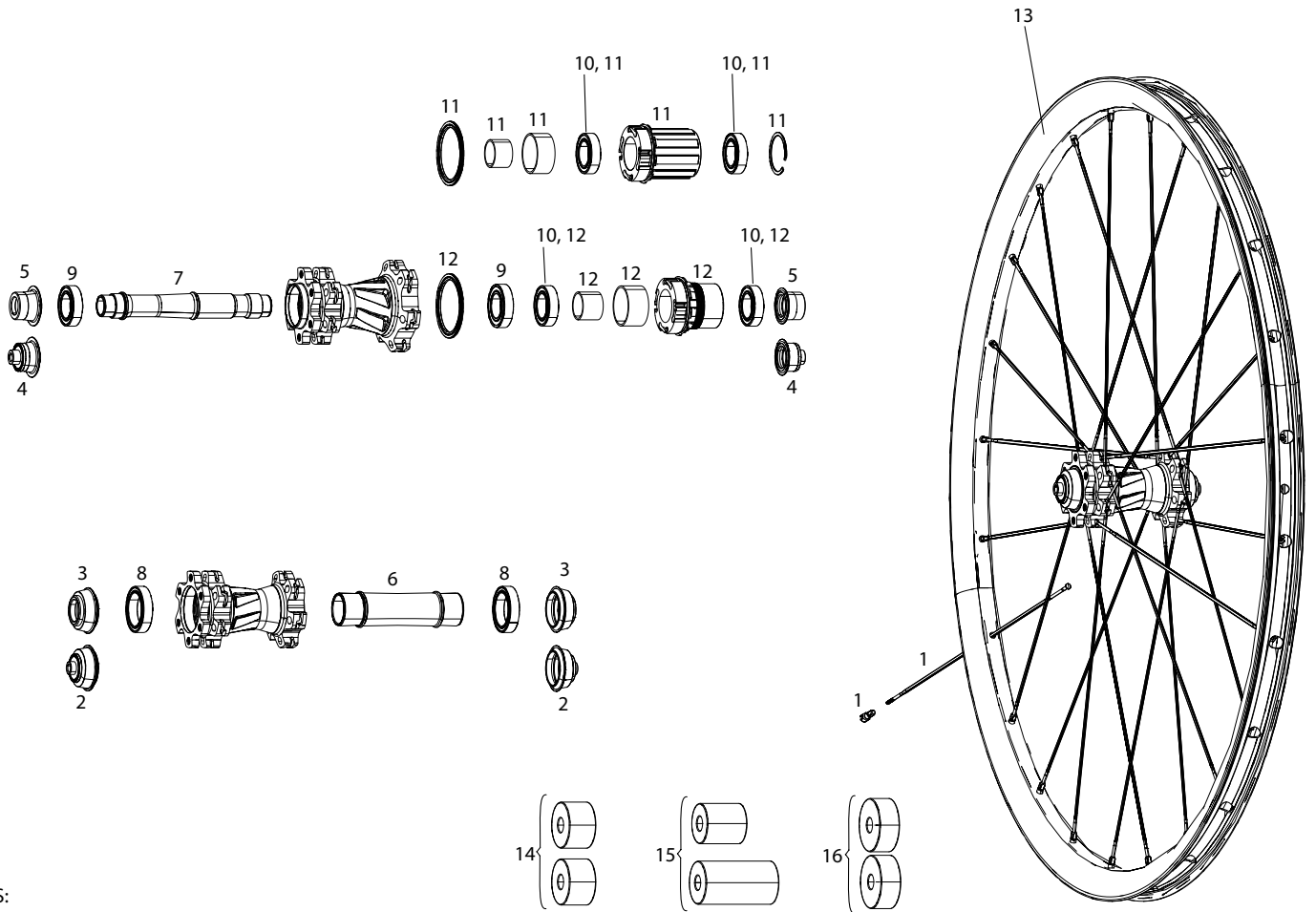
NOTES:

- 1. Predictive Steering hubs are not convertible to any other axle type.
- 2. Predictive Steering hubs may only be used with 00.4318.005.001 Maxle Ultimate 15mm Black.

No. Part Number Description

1	11.1918.002.014	Hub Axle Front - Predictive Steering (includes axle, knurled ring and plug) A1/ROAM 50 (B1)
2	11.1918.003.110	Hub Bearing Set Front (includes 2-27.5x37x7 Steel) - Predictive Steering A1
3	11.1918.034.000	Hub End Cap for Predictive Steering (includes end cap, set screw and dust shield) A1
ns	00.4318.005.001	Axle Maxle Ultimate Front MTB, 15x100, Length 148mm, Thread Length 9mm, Thread Pitch M15x1.50 - PIKE, RS1, Lyrik B1, Yari
4	00.1918.177.030	Bearing Press Tool 27.5x37x7, Predictive Steering Front Hub Rise60(A1,B1)/Roam50/Rise XX
ns	00.4318.008.000	Grease SRAM Butter 20ml Syringe, Friction Reducing Grease by Slickoleum - Recommended for X0/Rise XX/Roam 40, 30/Rail 40/Rise 60 B1/ Hub Pawls, RockShox Forks and Reverb Service

# WHEELS - RISE 60, B1 (2015-2018)



**NOTES:**

- 1. X0 hubs use Double Time internals.
- 2. See Maxle page for complete list of Maxle options

## RIM SPARE PARTS

No.	Part Number	Description
1	11.1918.027.023	Spokes & Nipples & Washers 3-pack 278mm CX-Ray Straight-Pull External Black - Rise 60 (B1) 27.5"
1	11.1918.027.024	Spokes & Nipples & Washers 3-pack 298mm CX-Ray Straight-Pull External Black - Rise 60 (B1) 29"
ns	11.1915.084.170	Decal Pack - Red/Blue/Green/Yellow/Orange/Pink (includes 6 full decal kits, one for each listed color, enough for 2 wheels each) - Rise 60 MTB 27.5
ns	11.1915.084.180	Decal Pack - Red/Blue/Green/Yellow/Orange/Pink (includes 6 full decal kits, one for each listed color, enough for 2 wheels each) - Rise 60 MTB 29
13	11.1918.028.022	Rim Rise 60 24H 27.5" Asymmetric Carbon Black With Decals B1
13	11.1918.028.023	Rim Rise 60 24H 29" Asymmetric Carbon Black With Decals B1
ns	00.1918.126.004	Tubeless Kit Includes 26mm Tape, 2 Universal Valves & 1 Valve Core Wrench (Fits 21mm inner width rims, Rise 60 [B1]/Roam[A1]Wheels)
ns	00.1918.325.000	Tubeless Universal Valve, Removable Valve Core (includes 1 tubeless valve & 1 valve core wrench) - SRAM MTB Wheels

## HUB SPARE PARTS

6	11.1918.002.012	Hub Axle Front - X0 Hubs/Rise 60 (B1)/Roam 30/Roam 40/Rail 40/Rise XX/900/Roam 50/60 (B1)
7	11.1918.002.013	Hub Axle Rear - X0 Hubs/Rise 60 (B1)/Roam 30/Roam 40/Rail 40/Rise XX/Roam 50/60 (B1)
8	11.1918.003.030	Hub Bearing Set Front Double Time (includes 2-23327) - X0 Hubs/Rise 60 (B1)/Roam 30/Roam 40/Roam 50/60 (B1)/Rail 40
9	11.1918.003.040	Hub Bearing Set Rear Double Time (includes 1-6903/61903 & 1-63803D28) - X0 Hubs/Rise 60 (B1)/Roam 30/Roam 40/Roam 50/60(B1)/Rail 40
10	11.1918.003.050	Hub Bearing Set Freehub Double Time (includes 2-63803D28) - X0 Hubs/Rise 60 (B1)/Roam 30/Roam 40/Roam 50/60 (B1)/Rail 40
11	11.1918.000.011	Freehub Body with Bearings 9/10 Speed - X0 Hubs/Rise 60 (B1)/Roam 30/Roam 40/Rail 40/Rise XX/Roam 50/60 (B1)
12	11.1918.000.012	Freehub Body with Bearings 11 Speed XD - X0 Hubs/Rise 60 (B1)/Roam 30/Roam 40/Rail 40/Rise XX/Roam 50/60 (B1)





## CONVERSION END CAPS

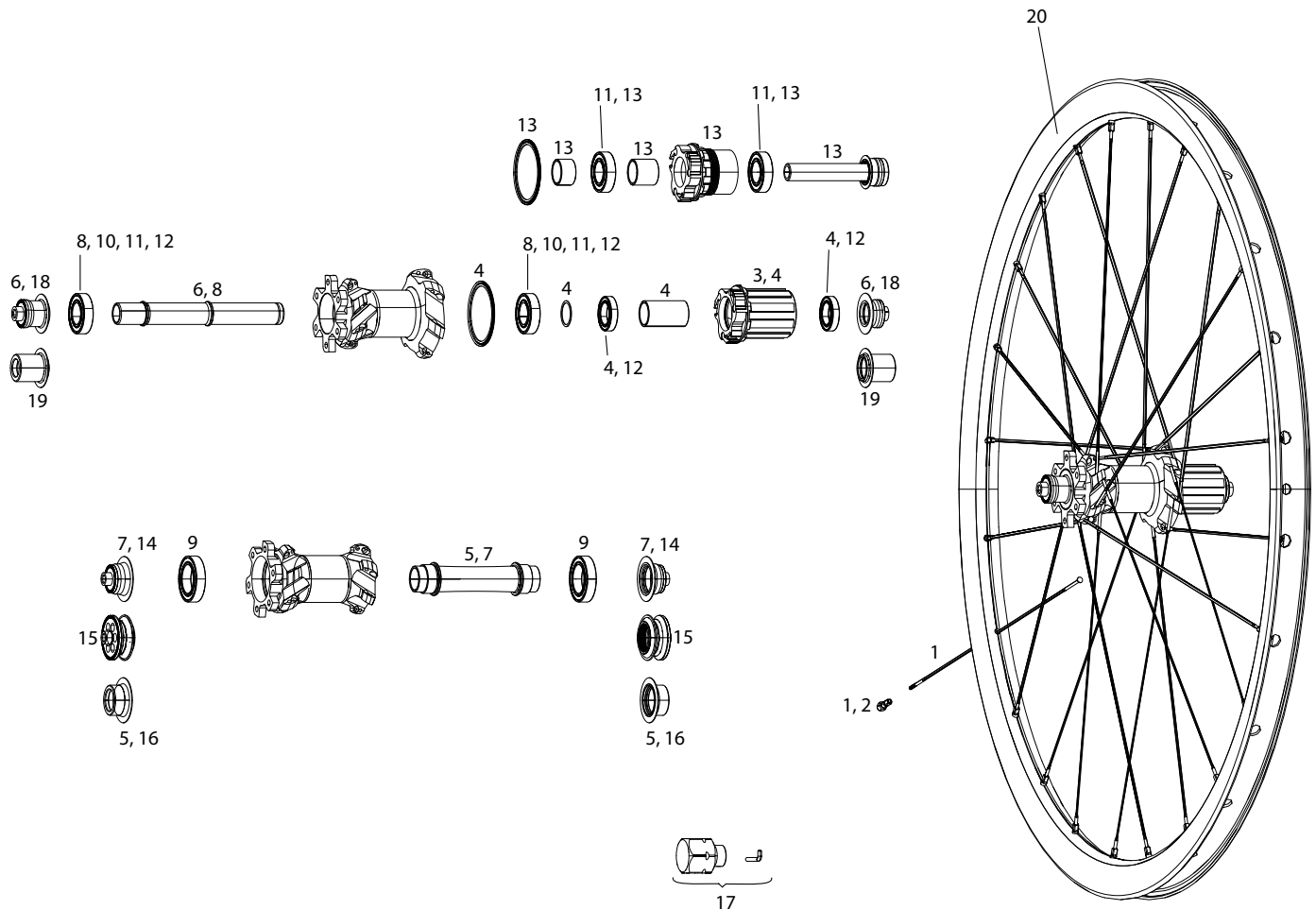
No.	Part Number	Description
2	00.1918.145.000	ConversionCapsHubDoubleTimeFront,9x100QR19mmStandard-X0Hubs/900Hubs/Rise60(B1)/Roam30/Roam40/Roam50/60(B1)/Rail40/RiseXX
2	00.1918.145.001	ConversionCapsHubDoubleTimeFront,9x100QR31mmRockShox-X0Hubs/900Hubs/Rise60(B1)/Roam30/Roam40/Roam50/60(B1)/Rail40/RiseXX
3	00.1918.145.002	ConversionCapsHubDoubleTimeFront,15x100mmThroughAxleX0Hubs/900Hubs/Rise60(B1)/Roam30/Roam40/Roam50/60(B1)/Rail40/RiseXX
3	00.1918.145.003	ConversionCapsHubDoubleTimeFront,20x110ThroughAxle-X0Hubs/900Hubs/Rise60(B1)/Roam30/Roam40/Roam50/60(B1)/Rail40/RiseXX
4	00.1918.145.004	Conversion Caps Hub Double Time Rear, 10x135 QR, fits 9/10 Speed Driver Body - X0Hubs/900Hubs/Rise60 (B1)/Roam30/Roam40/Roam50/60(B1)/Rail40/RiseXX
4	00.1918.145.006	Conversion Caps Hub Double Time Rear, 10x135 QR, fits XD/XD-R Driver Bodies - X0Hubs/900Hubs/Rise60 (B1)/Roam30/Roam40/Roam50/60(B1)/Rail40/RiseXX
5	00.1918.145.007	Conversion Caps Hub Double Time Rear, 12x142/12x157 X0 DH/12x148 Boost, fits XD/XD-R Driver Bodies - X0Hubs/900Hubs/Rise60(B1)/Roam30/Roam40/Roam50/60(B1)/Rail40/RiseXX
5	00.1918.145.009	Conversion Caps Hub Double Time Rear, 12x135Through Axle, fits 9/10 Speed Driver Body - X0Hubs/900Hubs/Rise60 (B1)/Roam30/Roam40/Roam60(B1)/Rail40/RiseXX
5	00.1918.145.010	Conversion Caps Hub Double Time Rear, 12x142/12x157 X0 DH/12x148 Boost, Through Axle,9/10 Speed Driver Body - X0Hubs/900Hubs/Rise60 (B1)/Roam30/Roam40/Roam50/60(B1)/Rail40/RiseXX
5	00.1918.145.011	ConversionCapsHubDoubleTimeFront,15x100/15x110Boost,31mmThroughAxle,TorqueCapRockShoxForks-X0Hubs/900Hubs/Rise60 (B1)/Roam30/Roam40/Roam50/60(B1)/Rail40/RiseXX
5	00.1918.145.012	Conversion Caps Hub Double Time Rear - 12x135, 12X150 X0 DHThrough Axle, fits XD/XD-R Driver Bodies - X0Hubs/900Hubs/Rise60 (B1)/Roam30/Roam40/Roam50/60(B1)/Rail40/RiseXX

## QUICK RELEASE & MAXLES (for complete list see Maxle page)

ns	00.1915.232.010	Quick Release Pair Rise 60 Stainless
ns	00.1915.002.020	Quick Release Pair X.9 Steel Black for MTB Wheels
ns	00.4318.005.001	Axle Maxle Ultimate Front MTB, 15x100, Length 148mm, Thread Length 9mm, Thread Pitch M15x1.50 - PIKE, RS1, Lyrik B1, Yari
ns	00.4318.005.018	Axle Maxle Stealth Front MTB, 15x100, Length 148mm, Thread Length 9mm, Thread Pitch M15x1.50 (not compatible with RS-1) Standard See also Maxle page

## TOOLS & SUPPORT

14	00.1918.177.010	Bearing Press Tool 23x32x7, Front Hub - X0 Hubs/900 Hubs/Rise 60 (B1)/Roam 30/Roam 40/Roam 60(B1)/Rail 40/Rise XX
15	00.1918.177.040	Bearing Press Tools 6903/63803D28, Rear Hub - X0 Hubs/900 Hubs/Rise 60 (B1)/Roam 30/Roam 40/Roam 60(B1)/Rail 40/Rise XX
16	00.1918.177.030	Bearing Press Tool 27.5x37x7, Predictive Steering Front Hub Rise60(A1,B1)/Roam50/Rise XX
ns	00.4318.008.000	Grease SRAM Butter 20ml Syringe, Friction Reducing Grease bySlickoleum - Recommended for X0/Rise XX/Roam 40, 30/Rail 40/Rise 60 B1/ Hub Pawls, RockShox Forks and Reverb Service
ns	00.4318.008.003	Grease SRAM Butter 500ml Container, Friction Reducing Greaseby Slickoleum - Recommended for SRAM Double Time Hubs & Wheels, RockShox Forks and Reverb Service



NOTES:

1. Part # 00.1915.231.010 Tool Conversion Cap Rise 40 Front is needed to change Conversion Caps of Rise 40 front wheels.
2. Rise 40 rear wheels are not convertible.
3. See Maxle page for complete list of Maxle options

RIM SPARE PARTS

No. Part Number Description

1	11.1915.085.030	Spokes & Nipples 3-pack 264mm Rise 60 26" F-Non-Drive/R-Drive, CX-Ray Straight-Pull External Black
1	11.1915.085.040	Spokes & Nipples 3-pack 266mm Rise 60 26" F-Drive/R-Non-Drive CX-Ray Straight-Pull External Black
1	11.1915.085.050	Spokes & Nipples 3-pack 294mm Rise 60 29" R-Drive CX-Ray Straight-Pull External Black
1	11.1915.085.060	Spokes & Nipples 3-pack 296mm Rise 60 29" F-(Drive/Non-Drive)/R-Non-Drive CX-Ray Straight-Pull External Black
1	11.1915.083.010	Spokes & Nipples 3-pack 264mm Rise 40 26" Front/Rear Straight-Pull External Black
1	11.1915.083.015	Spokes & Nipples 3-pack 276mm Rise 40 27.5" Front/Rear Straight-Pull External Black
1	11.1915.083.020	Spokes & Nipples 3-pack 295mm Rise 40 29" Front/Rear Straight-Pull External Black
2	11.1918.033.000	Spoke Nipples Brass for Rise 40 wheels 2.0 X 14 - QTY 24
2	11.1918.033.001	Spoke Nipples Alloy for Rise 60/XX, Roam 50/60 and Rail series wheels 2.0 X 14 - QTY 24
ns	00.1915.228.010	Rim Strip 26" Pair for Rise 40, Rise 60
ns	00.1915.228.020	Rim Strip 29" Pair for Rise 40, Rise 60
ns	11.1915.084.020	Decal Kit - Rise 60 MTB 29 - 1 Rim
20	11.1918.004.000	Rim Rise 60, 26" With Decals 24H
20	11.1918.004.001	Rim Rise 60, 29" With Decals 24H



## RIM SPARE PARTS

No.	Part Number	Description
3	11.2015.028.100	Kit Freehub Body, X-9/X-7/Rise 40,
3	11.2015.029.100	Kit Freehub Body X-9/Rise 40 12x135/142
3	11.1918.001.000	Freehub Body Pawls & Springs Rise 60
4	11.1918.000.000	Freehub Body with Bearings Rise 60
5	11.2015.026.000	Kit Axle Assembly X-9/Rise 40 F 15x100
6	11.2015.028.000	Kit Complete Axle Assembly, X-9/Rise 40 Rear
6	11.2015.030.000	Kit Axle Assembly X-9/Rise 40 R 12x142
7	11.1918.002.000	Hub Axle Front Rise 60
8	11.1918.002.011	Hub Axle Rear Rise 60 Titanium (includes hubshell bearings)
9	11.2015.026.100	Kit Hub Bearings X-9/Rise 40 15x100, 2-6804
9	11.1918.003.000	Hub Bearing Set Front (includes 2-6804) Rise 60
10	11.2015.028.200	Kit, Hub Bearings, X-9/Rise 40 Rear, 2-6000
11	11.1918.003.020	Hub Bearing Set Rear (includes 4-6902) Rise 60 XD
12	11.1918.003.010	Hub Bearing Set Rear (includes 2-6802, 2-6902 & spacer) Rise60
13	00.2018.004.000	MTB Hub XD Driver Body 11 Speed Kit for Rise 60 Wheel A1 (2012-2015)

## CONVERSION END CAPS

14	00.1915.230.010	Conversion Caps Wheel Rise 40 Front - 9QR 19 Standard
14	00.1915.230.040	Conversion Caps Wheel Rise 60 Front - 9QR 19 Standard
15	00.1915.230.020	Conversion Caps Wheel Rise 40 Front - 9QR 31 RockShox
15	00.1915.230.050	Conversion Caps Wheel Rise 60 Front - 9QR 31 RockShox
16	00.1915.230.030	Conversion Caps Wheel Rise 40 Front - 15x100
16	00.1915.230.060	Conversion Caps Wheel Rise 60 Front - 15x100
18	00.1915.230.070	Conversion Caps Wheel Rise 60 Rear 10x135
18	00.1915.230.090	Conversion Caps Wheel Rise 60 Rear 10x135, fits XD Driver Body
19	00.1915.230.080	Conversion Caps Wheel Rise 60 Rear 12x142
19	00.1915.230.100	Conversion Caps Wheel Rise 60 Rear 12x142, fits XD Driver Body

## QUICK RELEASE & MAXLES (for complete list see maxle page)

ns	00.1915.232.010	Quick Release Pair Rise 60 Stainless
ns	00.1915.002.020	Quick Release Pair X.9 Steel Black for MTB Wheels
ns	00.4318.005.001	Axle Maxle Ultimate Front MTB, 15x100, Length 148mm, Thread Length 9mm, Thread Pitch M15x1.50 - PIKE, RS1, Lyrik B1, Yari
ns	00.4318.005.018	Axle Maxle Stealth Front MTB, 15x100, Length 148mm, Thread Length 9mm, Thread Pitch M15x1.50 (not compatible with RS-1) Standard see also Maxle Page

## TOOLS & SUPPORT

17	00.1915.231.010	Tool Conversion Cap Rise 40 Front
----	-----------------	-----------------------------------





## CONVERSION END CAPS

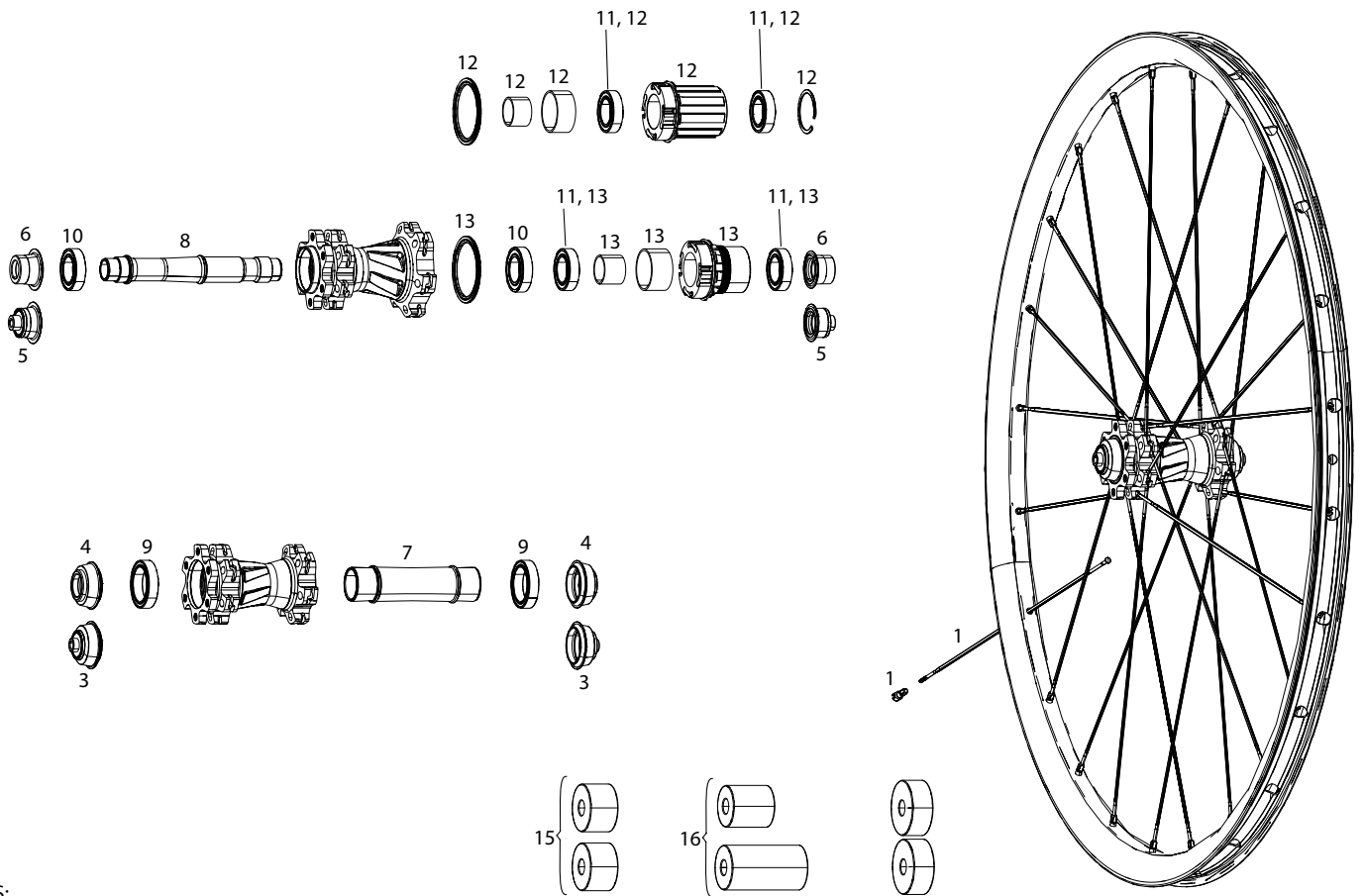
No.	Part Number	Description
3	00.1918.145.000	ConversionCapsHubDoubleTimeFront,9x100QR19mmStandard-X0Hubs/900Hubs/Rise60(B1)/Roam30/Roam40/Roam50/60(B1)/Rail40/RiseXX
3	00.1918.145.001	ConversionCapsHubDoubleTimeFront,9x100QR31mmRockShox-X0Hubs/900Hubs/Rise60(B1)/Roam30/Roam40/Roam50/60(B1)/Rail40/RiseXX
4	00.1918.145.002	ConversionCapsHubDoubleTimeFront,15x100mmThroughAxleX0Hubs/900Hubs/Rise60(B1)/Roam30/Roam40/Roam50/60(B1)/Rail40/RiseXX
4	00.1918.145.003	ConversionCapsHubDoubleTimeFront,20x110ThroughAxle-X0Hubs/900Hubs/Rise60(B1)/Roam30/Roam40/Roam50/60(B1)/Rail40/RiseXX
5	00.1918.145.004	Conversion Caps Hub Double Time Rear, 10x135 QR, fits 9/10 Speed Driver Body - X0Hubs/900Hubs/Rise60 (B1)/Roam30/Roam40/Roam50/60(B1)/Rail40/RiseXX
5	00.1918.145.006	Conversion Caps Hub Double Time Rear, 10x135 QR, fits XD/XD-R Driver Bodies - X0Hubs/900Hubs/Rise60 (B1)/Roam30/Roam40/Roam50/60(B1)/Rail40/RiseXX
6	00.1918.145.007	Conversion Caps Hub Double Time Rear, 12x142/12x157 X0 DH/12x148 Boost, fits XD/XD-R Driver Bodies - X0Hubs/900Hubs/Rise60(B1)/Roam30/Roam40/Roam50/60(B1)/Rail40/RiseXX
6	00.1918.145.009	Conversion Caps Hub Double Time Rear, 12x135 Through Axle, fits 9/10 Speed Driver Body - X0Hubs/900Hubs/Rise60 (B1)/Roam30/Roam40/Roam60(B1)/Rail40/RiseXX
6	00.1918.145.010	Conversion Caps Hub Double Time Rear, 12x142/12x157 X0 DH/12x148 Boost, Through Axle,9/10 Speed Driver Body - X0Hubs/900Hubs/Rise60 (B1)/Roam30/Roam40/Roam50/60(B1)/Rail40/RiseXX
6	00.1918.145.011	ConversionCapsHubDoubleTimeFront,15x100/15x110Boost,31mmThroughAxle,TorqueCapRockShoxForks-X0Hubs/900Hubs/Rise60 (B1)/Roam30/Roam40/Roam50/60(B1)/Rail40/RiseXX
6	00.1918.145.012	Conversion Caps Hub Double Time Rear - 12x135, 12X150 X0 DH Through Axle, fits XD/XD-R Driver Bodies - X0Hubs/900Hubs/Rise60 (B1)/Roam30/Roam40/Roam50/60(B1)/Rail40/RiseXX

## QUICK RELEASE & MAXLES (for complete list see Maxle page)

ns	00.1915.232.010	Quick Release Pair Rise 60 Stainless
ns	00.4318.005.001	Axle Maxle Ultimate Front MTB, 15x100, Length 148mm, Thread Length 9mm, Thread Pitch M15x1.50 - PIKE, RS1, Lyrik B1, Yari
ns	00.4318.005.018	Axle Maxle Stealth Front MTB, 15x100, Length 148mm, Thread Length 9mm, Thread Pitch M15x1.50 (not compatible with RS-1) Standard See also Maxle page

## TOOLS & SUPPORT

18	00.1918.177.010	Bearing Press Tool 23x32x7, Front Hub - X0 Hubs/900 Hubs/Rise 60 (B1)/Roam 30/Roam 40/Roam 60(B1)/Rail 40/Rise XX
19	00.1918.177.040	Bearing Press Tools 6903/63803D28, Rear Hub - X0 Hubs/900 Hubs/Rise 60 (B1)/Roam 30/Roam 40/Roam 60(B1)/Rail 40/Rise XX
20	00.1918.177.030	Bearing Press Tool 27.5x37x7, Predictive Steering Front Hub Rise60(A1,B1)/Roam50/Rise XX
ns	00.4318.008.000	Grease SRAM Butter 20ml Syringe, Friction Reducing Grease by Slickoleum - Recommended for X0/Rise XX/Roam 40, 30/Rail 40/Rise 60 B1/ Hub Pawls, RockShox Forks and Reverb Service
ns	00.4318.008.003	Grease SRAM Butter 500ml Container, Friction Reducing Grease by Slickoleum - Recommended for SRAM Double Time Hubs & Wheels, RockShox Forks and Reverb Service



NOTES:

1. Roam 30 and 40 wheels use Double Time hub internals.
2. See Maxle page for complete list of Maxle options

RIM SPARE PARTS

No. Part Number Description

1	11.1918.027.009	Spokes & Nipples 3-pack 264mm Straight-Pull External Black -Roam 30 26"
1	11.1918.027.010	Spokes & Nipples 3-pack 276mm Straight-Pull External Black -Roam 30 27.5"
1	11.1918.027.011	Spokes & Nipples 3-pack 294mm Straight-Pull External Black -Roam 30 29"
1	11.1918.027.012	Spokes & Nipples 3-pack 264mm Straight-Pull External Black -Roam 40 26"
1	11.1918.027.013	Spokes & Nipples 3-pack 276mm Straight-Pull External Black -Roam 40/Rail 40 27.5"
1	11.1918.027.014	Spokes & Nipples 3-pack 294mm Straight-Pull External Black -Roam 40/Rail 40 29"
1	11.1918.027.015	Spokes & Nipples 24-pack 264mm Straight-Pull External Black Roam 30 26" (includes qty for complete wheel build)
1	11.1918.027.016	Spokes & Nipples 24-pack 276mm Straight-Pull External Black Roam 30 27.5" (includes qty for complete wheel build)
1	11.1918.027.017	Spokes & Nipples 24-pack 294mm Straight-Pull External Black Roam 30 29" (includes qty for complete wheel build)
1	11.1918.027.018	Spokes & Nipples 24-pack 264mm Straight-Pull External Black Roam 40 26" (includes qty for complete wheel build)
1	11.1918.027.019	Spokes & Nipples 24-pack 276mm Straight-Pull External Black Roam 40/Rail 40 27.5" (includes qty for complete wheel build)
1	11.1918.027.020	Spokes & Nipples 24-pack 294mm Straight-Pull External Black Roam 40/Rail 40 29" (includes qty for complete wheel build)
ns	11.1915.084.040	Decal Kit - Roam 30 MTB 26 Black/Silver wheel (Silver/White/Black decal) - 1 Rim
ns	11.1915.084.060	Decal Kit - Roam 30 MTB 27 Black/Silver wheel (Silver/White/Black decal) - 1 Rim
ns	11.1915.084.080	Decal Kit - Roam 30 MTB 29 Black/Silver wheel (Silver/White/Black decal) - 1 Rim
ns	11.1915.084.100	Decal Kit - Roam 40 MTB 26 Black/Silver wheel (Silver/White/Black decal) - 1 Rim
ns	11.1915.084.120	Decal Kit - Roam 40 MTB 27 Black/Silver wheel (Silver/White/Black decal) - 1 Rim
ns	11.1915.084.140	Decal Kit - Roam 40 MTB 29 Black/Silver wheel (Silver/White/Black decal) - 1 Rim

# WHEELS - ROAM 30/40 (2015-2017) A1



## RIM SPARE PARTS

No. Part Number Description

- ns 00.1918.126.004 Tubeless Kit Includes 26mm Tape, 2 Universal Valves & 1 Valve Core Wrench (Fits 21mm inner width rims, Rise 60 [B1]/Roam[A1]Wheels)
- ns 00.1918.325.000 Tubeless Universal Valve, Removable Valve Core (includes 1tubeless valve & 1 valve core wrench) - SRAM MTB Wheels

## HUB SPARE PARTS

- 7 11.1918.002.012 Hub Axle Front - X0 Hubs/Rise 60 (B1)/Roam 30/Roam 40/Rail 40/Rise XX/900/Roam 50/60 (B1)
- 7 11.1918.002.016 Hub Axle Front Double Time 15x110 Boost Compatible (only for Boost front hubs) - X0 A1/Roam 30/40/Roam 50/60 (B1)/900
- 8 11.1918.002.013 Hub Axle Rear - X0 Hubs/Rise 60 (B1)/Roam 30/Roam 40/Rail 40/Rise XX/ Roam 50/60 (B1)
- 8 11.1918.002.015 Hub Axle Rear X0 12X148 Boost Compatible (only for Boost rear hubs) - X0, Roam 30/40, Rail 40/Roam 50/60 (B1)
- 9 11.1918.003.030 Hub Bearing Set Front Double Time (includes 2-23327) - X0 Hubs/Rise 60 (B1)/Roam 30/Roam 40/Roam 50/60 (B1)/Rail 40
- 10 11.1918.003.040 Hub Bearing Set Rear Double Time (includes 1-6903/61903 & 1-63803D28) - X0 Hubs/Rise 60 (B1)/Roam 30/Roam 40/Roam 50/60(B1)/Rail 40
- 11 11.1918.003.050 Hub Bearing Set Freehub Double Time (includes 2-63803D28) - X0 Hubs/Rise 60 (B1)/Roam 30/Roam 40/Roam 50/60 (B1)/Rail 40
- 12 11.1918.000.011 Freehub Body with Bearings 9/10 Speed - X0 Hubs/Rise 60 (B1)/Roam 30/Roam 40/Rail 40/Rise XX/Roam 50/60 (B1)
- 13 11.1918.000.012 Freehub Body with Bearings 11 Speed XD - X0 Hubs/Rise 60 (B1)/Roam 30/Roam 40/Rail 40/Rise XX/Roam 50/60 (B1)

## CONVERSION END CAPS

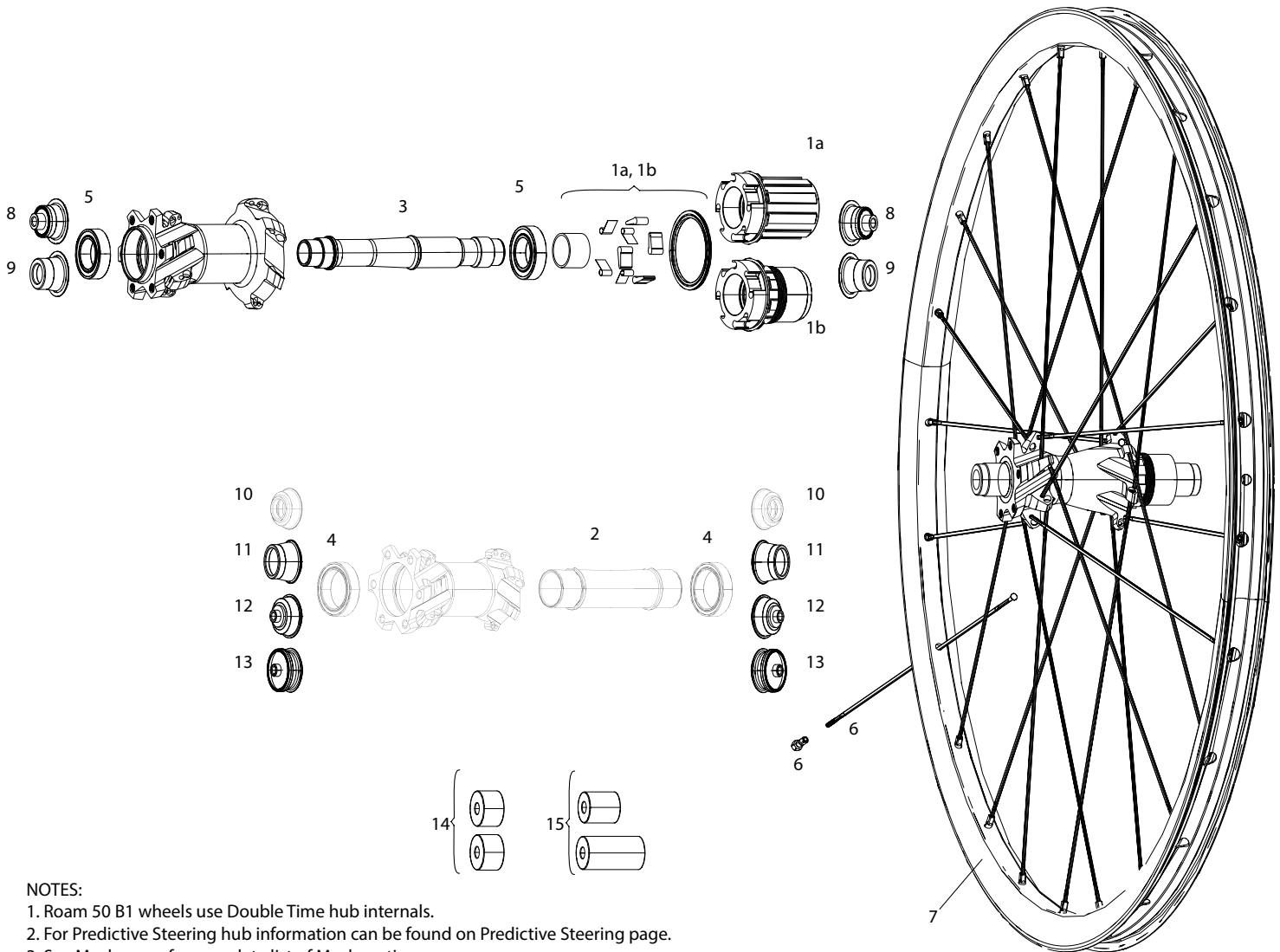
- 3 00.1918.145.000 Conversion Caps Hub Double Time Front, 9x100 QR 19mm Standard - X0 Hubs/900 Hubs/Rise 60 (B1)/Roam 30/Roam 40/Roam 50/60 (B1)/Rail 40/Rise XX
- 3 00.1918.145.001 Conversion Caps Hub Double Time Front, 9x100 QR 31mm RockShox - X0 Hubs/900 Hubs/Rise 60 (B1)/Roam 30/Roam 40/Roam 50/60 (B1)/Rail 40/Rise XX
- 4 00.1918.145.002 Conversion Caps Hub Double Time Front, 15x100mm Through Axle X0 Hubs/900 Hubs/Rise 60 (B1)/Roam 30/Roam 40/Roam 50/60 (B1)/Rail 40/Rise XX
- 4 00.1918.145.003 Conversion Caps Hub Double Time Front, 20x110 Through Axle - X0 Hubs/900 Hubs/Rise 60 (B1)/Roam 30/Roam 40/Roam 50/60 (B1)/Rail 40/Rise XX
- 5 00.1918.145.004 Conversion Caps Hub Double Time Rear, 10x135 QR, fits 9/10 Speed Driver Body - X0 Hubs/900 Hubs/Rise 60 (B1)/Roam 30/Roam 40/Roam 50/60 (B1)/Rail 40/Rise XX
- 5 00.1918.145.006 Conversion Caps Hub Double Time Rear, 10x135 QR, fits XD/XD-R Driver Bodies - X0 Hubs/900 Hubs/Rise 60 (B1)/Roam 30/Roam 40/Roam 50/60 (B1)/Rail 40/Rise XX
- 6 00.1918.145.007 Conversion Caps Hub Double Time Rear, 12x142/12x157 X0 DH/12x148 Boost, fits XD/XD-R Driver Bodies - X0 Hubs/900 Hubs/Rise 60 (B1)/Roam 30/Roam 40/Roam 50/60 (B1)/Rail 40/Rise XX
- 6 00.1918.145.009 Conversion Caps Hub Double Time Rear, 12x135 Through Axle, fits 9/10 Speed Driver Body - X0 Hubs/900 Hubs/Rise 60 (B1)/Roam 30/Roam 40/Roam 60 (B1)/Rail 40/Rise XX
- 6 00.1918.145.010 Conversion Caps Hub Double Time Rear, 12x142/12x157 X0 DH/12x148 Boost, Through Axle, 9/10 Speed Driver Body - X0 Hubs/900 Hubs/Rise 60 (B1)/Roam 30/Roam 40/Roam 50/60 (B1)/Rail 40/Rise XX
- 6 00.1918.145.011 Conversion Caps Hub Double Time Front, 15x100/15x110 Boost, 31mm Through Axle, Torque Cap RockShox Forks - X0 Hubs/900 Hubs/Rise 60 (B1)/Roam 30/Roam 40/Roam 50/60 (B1)/Rail 40/Rise XX
- 6 00.1918.145.012 Conversion Caps Hub Double Time Rear - 12x135, 12X150 X0 DH Through Axle, fits XD/XD-R Driver Bodies - X0 Hubs/900 Hubs/Rise 60 (B1)/Roam 30/Roam 40/Roam 50/60 (B1)/Rail 40/Rise XX

## QUICK RELEASE & MAXLES (for complete list see Maxle page)

- ns 00.1915.232.010 Quick Release Pair Rise 60 Stainless
- ns 00.1915.002.020 Quick Release Pair X.9 Steel Black for MTB Wheels
- ns 00.4318.005.001 Axle Maxle Ultimate Front MTB, 15x100, Length 148mm, Thread Length 9mm, Thread Pitch M15x1.50 - PIKE, RS1, Lyrik B1, Yari
- ns 00.4318.005.018 Axle Maxle Stealth Front MTB, 15x100, Length 148mm, Thread Length 9mm, Thread Pitch M15x1.50 (not compatible with RS-1) Standard  
See also Maxle page

## TOOLS & SUPPORT

- 15 00.1918.177.010 Bearing Press Tool 23x32x7, Front Hub - X0 Hubs/900 Hubs/Rise 60 (B1)/Roam 30/Roam 40/Roam 60 (B1)/Rail 40/Rise XX
- 16 00.1918.177.040 Bearing Press Tools 6903/63803D28, Rear Hub - X0 Hubs/900 Hubs/Rise 60 (B1)/Roam 30/Roam 40/Roam 60 (B1)/Rail 40/Rise XX
- ns 00.4318.008.000 Grease SRAM Butter 20ml Syringe, Friction Reducing Grease by Slickoleum - Recommended for X0/Rise XX/Roam 40, 30/Rail 40/Rise 60 B1/ Hub Pawls, RockShox Forks and Reverb Service
- ns 00.4318.008.003 Grease SRAM Butter 500ml Container, Friction Reducing Grease by Slickoleum - Recommended for SRAM Double Time Hubs & Wheels, RockShox Forks and Reverb Service



NOTES:

1. Roam 50 B1 wheels use Double Time hub internals.
2. For Predictive Steering hub information can be found on Predictive Steering page.
3. See Maxle page for complete list of Maxle options

RIM SPARE PARTS

No.	Part Number	Description
6	11.1918.027.029	Spokes & Nipples & Washers 3-pack 292mm Straight-Pull .95x2.0 2.2HD Black - Roam 50 Carbon (B1) 29"
ns	11.1918.027.030	Spokes & Nipples & Washers 3-pack 298mm Straight-Pull .95x2.0 2.2HD Black - Roam 50 Carbon (B1) 29" (Predictive Steering)
7	11.1918.028.029	Rim Roam 50 24H Carbon 29" Asymmetric (includes Decals and Tubeless Tape) - 25mm B1
ns	11.1915.084.213	Decal Pack - Red/Blue/Green/Yellow/Orange/Red-Orange (includes 6 full decal kits/ one for each listed color/ enough for 2 wheels each) - Roam 50 MTB 29 B1
ns	00.1918.126.006	Tubeless Kit Includes 32mm Tape, 2 Universal Valves & 1 Valve Core Wrench (Fits 30mm inner width rims, ROAM 50/60[B1] Wheels)
ns	00.1918.325.000	Tubeless Universal Valve, Removable Valve Core (includes 1 tubeless valve & 1 valve core wrench) - SRAM MTB Wheels

HUB SPARE PARTS

1a	11.1918.000.011	Freehub Body with Bearings 9/10 Speed - X0 Hubs/Rise 60 (B1)/Roam 30/Roam 40/Rail 40/Rise XX/Roam 50/60 (B1)
1b	11.1918.000.012	Freehub Body with Bearings 11 Speed XD - X0 Hubs/Rise 60 (B1)/Roam 30/Roam 40/Rail 40/Rise XX/Roam 50/60 (B1)
2	11.1918.002.012	Hub Axle Front - X0 Hubs/Rise 60 (B1)/Roam 30/Roam 40/Rail 40/Rise XX/900/Roam 50/60 (B1)
2	11.1918.002.016	Hub Axle Front Double Time 15x110 Boost Compatible (only for Boost front hubs) - X0 A1/ Roam 30/40/Roam 50/60 (B1)/ 900
ns	11.1918.002.014	Hub Axle Front - Predictive Steering (includes axle, knurled ring and plug) A1/ROAM 50 (B1)
3	11.1918.002.013	Hub Axle Rear - X0 Hubs/Rise 60 (B1)/Roam 30/Roam 40/Rail 40/Rise XX/ Roam 50/60 (B1)
3	11.1918.002.015	Hub Axle Rear X0 12X148 Boost Compatible (only for Boost rear hubs) - X0, Roam 30/40, Rail 40/Roam 50/60 (B1)
4	11.1918.003.030	Hub Bearing Set Front Double Time (includes 2-23327) - X0 Hubs/Rise 60 (B1)/Roam 30/Roam 40/Roam 50/60 (B1)/Rail 40
5	11.1918.003.040	Hub Bearing Set Rear Double Time (includes 1-6903/61903 & 1-63803D28) - X0 Hubs/Rise 60 (B1)/Roam 30/Roam 40/Roam 50/60 (B1)/Rail 40
ns	11.1918.003.050	Hub Bearing Set Freehub Double Time (includes 2-63803D28) - X0 Hubs/Rise 60 (B1)/Roam 30/Roam 40/Roam 50/60 (B1)/Rail 40





## CONVERSION END CAPS

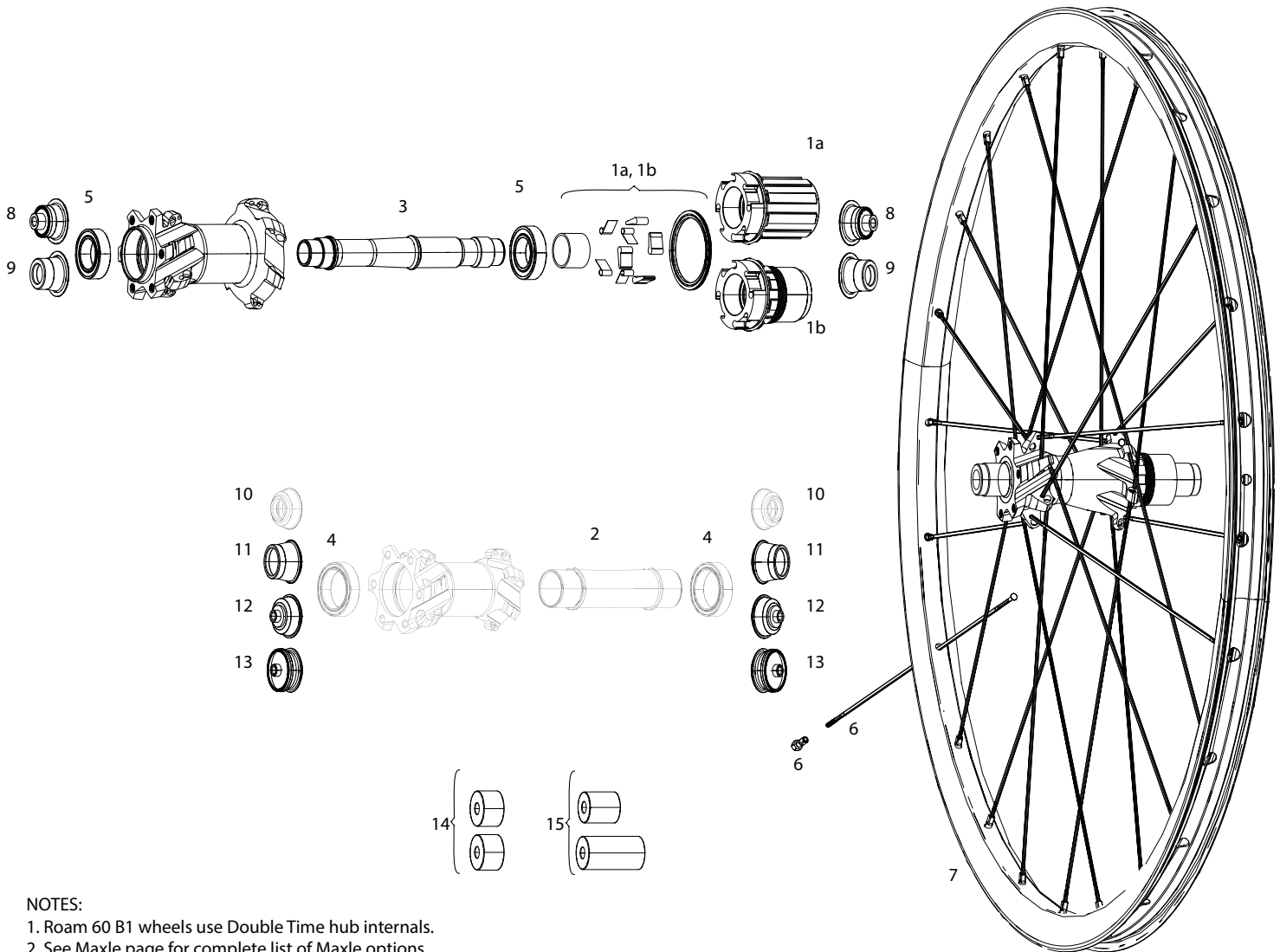
No.	Part Number	Description
8	00.1918.145.004	Conversion Caps Hub Double Time Rear, 10x135 QR, fits 9/10 Speed Driver Body - X0Hubs/900Hubs/Rise60 (B1)/Roam30/Roam40/Roam50/60(B1)/Rail40/RiseXX
8	00.1918.145.006	Conversion Caps Hub Double Time Rear, 10x135 QR, fits XD/XD-R Driver Bodies - X0Hubs/900Hubs/Rise60 (B1)/Roam30/Roam40/Roam50/60(B1)/Rail40/RiseXX
9	00.1918.145.007	ConversionCapsHubDoubleTimeRear, 12x142/12x157X0DH/12x148Boost, fitsXD/XD-RDriverBodies-X0Hubs/900Hubs/Rise60(B1)/Roam30/Roam40/Roam50/60(B1)/Rail40/RiseXX
9	00.1918.145.010	ConversionCapsHubDoubleTimeRear, 12x142/12x157X0DH/12x148Boost, Through Axle, 9/10 Speed Driver Body - X0Hubs/900Hubs/Rise60 (B1)/Roam30/Roam40/Roam50/60(B1)/Rail40/RiseXX
9	00.1918.145.009	Conversion Caps Hub Double Time Rear, 12x135 Through Axle, fits 9/10 Speed Driver Body - X0Hubs/900Hubs/Rise60 (B1)/Roam30/Roam40/Roam60(B1)/Rail40/RiseXX
9	00.1918.145.012	Conversion Caps Hub Double Time Rear - 12x135, 12X150 X0 DH Through Axle, fits XD/XD-R Driver Bodies - X0Hubs/900Hubs/Rise60 (B1)/Roam30/Roam40/Roam50/60(B1)/Rail40/RiseXX
10	00.1918.145.002	ConversionCapsHubDoubleTimeFront, 15x100mm Through Axle X0Hubs/900Hubs/Rise60(B1)/Roam30/Roam40/Roam50/60(B1)/Rail40/RiseXX
10	00.1918.145.011	Conversion Caps Hub Double Time Front, 15x100/15x110 Boost, 31mm Through Axle, Torque Cap RockShox Forks - X0Hubs/900Hubs/Rise60 (B1)/Roam30/Roam40/Roam50/60(B1)/Rail40/RiseXX
11	00.1918.145.003	ConversionCapsHubDoubleTimeFront, 20x110 Through Axle - X0Hubs/900Hubs/Rise60(B1)/Roam30/Roam40/Roam50/60(B1)/Rail40/RiseXX
12	00.1918.145.000	ConversionCapsHubDoubleTimeFront, 9x100QR19mm Standard - X0Hubs/900Hubs/Rise60(B1)/Roam30/Roam40/Roam50/60(B1)/Rail40/RiseXX
13	00.1918.145.001	ConversionCapsHubDoubleTimeFront, 9x100QR31mm RockShox - X0Hubs/900Hubs/Rise60(B1)/Roam30/Roam40/Roam50/60(B1)/Rail40/RiseXX
ns	00.1918.145.013	Conversion Caps Hub Double Time Front - 12x100 - X0Hubs/900Hubs/Rise60 (B1)/Roam30/Roam40/Roam50/60(B1)/Rail40/RiseXX

## QUICK RELEASE & MAXLES (for complete list see Maxle page)

ns	00.1915.232.010	Quick Release Pair Rise 60 Stainless
ns	00.1915.002.020	Quick Release Pair X.9 Steel Black for MTB Wheels
ns	00.4318.005.001	Axle Maxle Ultimate Front MTB, 15x100, Length 148mm, Thread Length 9mm, Thread Pitch M15x1.50 - PIKE, RS1, Lyrik B1, Yari
ns	00.4318.005.018	Axle Maxle Stealth Front MTB, 15x100, Length 148mm, Thread Length 9mm, Thread Pitch M15x1.50 (not compatible with RS-1) Standard See also Maxle page

## TOOLS & SUPPORT

14	00.1918.177.010	Bearing Press Tool 23x32x7, Front Hub - X0 Hubs/900 Hubs/Rise 60 (B1)/Roam 30/Roam 40/Roam 60(B1)/Rail 40/Rise XX
15	00.1918.177.040	Bearing Press Tools 6903/63803D28, Rear Hub - X0 Hubs/900 Hubs/Rise 60 (B1)/Roam 30/Roam 40/Roam 60(B1)/Rail 40/Rise XX
ns	00.4318.008.000	Grease SRAM Butter 20ml Syringe, Friction Reducing Grease by Slickoleum - Recommended for X0/Rise XX/Roam 40, 30/Rail 40/Rise 60 B1/ Hub Paws, RockShox Forks and Reverb Service
ns	00.4318.008.003	Grease SRAM Butter 500ml Container, Friction Reducing Grease by Slickoleum - Recommended for SRAM Double Time Hubs & Wheels, RockShox Forks and Reverb Service



NOTES:

- 1. Roam 60 B1 wheels use Double Time hub internals.
- 2. See Maxle page for complete list of Maxle options

RIM SPARE PARTS

No. Part Number Description

- 6 11.1918.027.028Spokes & Nipples & Washers 3-pack 284mm CX-Ray Straight-PullExternal Black - Roam 60 (B1) 27.5"
- 7 11.1918.028.026Rim Roam 60 24H 27.5" Asymmetric With Decals B1
- ns 11.1915.084.210Decal Pack - Yellow/ Orange/ Red-orange/ Green/ Water Blue/Oxy Red/ Silver (includes 8 full decal kits, one for each listed color, enough for 2 wheels each) - Roam 60 B1
- ns 00.1918.126.006Tubeless Kit Includes 32mm Tape, 2 Universal Valves & 1 Valve Core Wrench (Fits 30mm inner width rims, ROAM 50/60[B1] Wheels)
- ns 00.1918.325.000Tubeless Universal Valve, Removable Valve Core (includes 1tubeless valve & 1 valve core wrench) - SRAM MTB Wheels

HUB SPARE PARTS

- 1a 11.1918.000.011Freehub Body with Bearings 9/10 Speed - X0 Hubs/Rise 60 (B1)/Roam 30/Roam 40/Rail 40/Rise XX/Roam 50/60 (B1)
- 1b 11.1918.000.012Freehub Body with Bearings 11 Speed XD - X0 Hubs/Rise 60 (B1)/Roam 30/Roam 40/Rail 40/Rise XX/Roam 50/60 (B1)
- 2 11.1918.002.012Hub Axle Front - X0 Hubs/Rise 60 (B1)/Roam 30/Roam 40/Rail 40/Rise XX/900/Roam 50/60 (B1)
- 2 11.1918.002.016Hub Axle Front Double Time 15x110 Boost Compatible (only forBoost front hubs) - X0 A1/ Roam 30/40/Roam 50/60 (B1)/ 900
- 3 11.1918.002.013Hub Axle Rear - X0 Hubs/Rise 60 (B1)/Roam 30/Roam 40/Rail 40/Rise XX/ Roam 50/60 (B1)
- 3 11.1918.002.015Hub Axle Rear X0 12X148 Boost Compatible (only for Boost rear hubs) - X0, Roam 30/40, Rail 40/Roam 50/60 (B1)
- 4 11.1918.003.030Hub Bearing Set Front Double Time (includes 2-23327) - X0 Hubs/Rise 60 (B1)/Roam 30/Roam 40/Roam 50/60 (B1)/Rail 40
- 5 11.1918.003.040Hub Bearing Set Rear Double Time (includes 1-6903/61903&1-63803D28) -X0 Hubs/Rise60 (B1)/Roam30/Roam40/Roam50/60(B1)/Rail40
- ns 11.1918.003.050Hub Bearing Set Freehub Double Time (includes 2-63803D28) -X0 Hubs/Rise60 (B1)/Roam 30/Roam 40/Roam 50/60 (B1)/Rail 40



CONVERSION END CAPS

No.	Part Number	Description
8	00.1918.145.004	Conversion Caps Hub Double Time Rear, 10x135 QR, fits 9/10 Speed Driver Body - X0Hubs/900Hubs/Rise60 (B1)/Roam30/Roam40/Roam50/60(B1)/Rail40/RiseXX
8	00.1918.145.006	Conversion Caps Hub Double Time Rear, 10x135 QR, fits XD/XD-R Driver Bodies - X0Hubs/900Hubs/Rise60 (B1)/Roam30/Roam40/Roam50/60(B1)/Rail40/RiseXX
9	00.1918.145.007	ConversionCapsHubDoubleTimeRear, 12x142/12x157X0DH/12x148Boost, fitsXD/XD-RDriverBodies-X0Hubs/900Hubs/Rise60(B1)/Roam30/Roam40/Roam50/60(B1)/Rail40/RiseXX
9	00.1918.145.010	ConversionCapsHubDoubleTimeRear, 12x142/12x157X0DH/12x148Boost, Through Axle, 9/10SpeedDriverBody-X0Hubs/900Hubs/Rise60 (B1)/Roam30/Roam40/Roam50/60(B1)/Rail40/RiseXX
9	00.1918.145.009	Conversion Caps Hub Double Time Rear, 12x135 Through Axle, fits 9/10 Speed Driver Body - X0Hubs/900Hubs/Rise60 (B1)/Roam30/Roam40/Roam60(B1)/Rail40/RiseXX
9	00.1918.145.012	Conversion Caps Hub Double Time Rear - 12x135, 12X150 X0 DHThrough Axle, fits XD/XD-R Driver Bodies - X0Hubs/900Hubs/Rise60 (B1)/Roam30/Roam40/Roam50/60(B1)/Rail40/RiseXX
10	00.1918.145.002	ConversionCapsHubDoubleTimeFront, 15x100mmThroughAxle X0Hubs/900Hubs/Rise60(B1)/Roam30/Roam40/Roam50/60(B1)/Rail40/RiseXX
10	00.1918.145.011	Conversion Caps Hub Double Time Front, 15x100/15x110Boost, 31mmThrough Axle, Torque Cap RockShox Forks - X0Hubs/900Hubs/Rise60 (B1)/Roam30/Roam40/Roam50/60(B1)/Rail40/RiseXX
11	00.1918.145.003	ConversionCapsHubDoubleTimeFront, 20x110ThroughAxle-X0Hubs/900Hubs/Rise60(B1)/Roam30/Roam40/Roam50/60(B1)/Rail40/RiseXX
12	00.1918.145.000	ConversionCapsHubDoubleTimeFront, 9x100QR19mmStandard-X0Hubs/900Hubs/Rise60(B1)/Roam30/Roam40/Roam50/60(B1)/Rail40/RiseXX
13	00.1918.145.001	ConversionCapsHubDoubleTimeFront, 9x100QR31mmRockShox-X0Hubs/900Hubs/Rise60(B1)/Roam30/Roam40/Roam50/60(B1)/Rail40/RiseXX

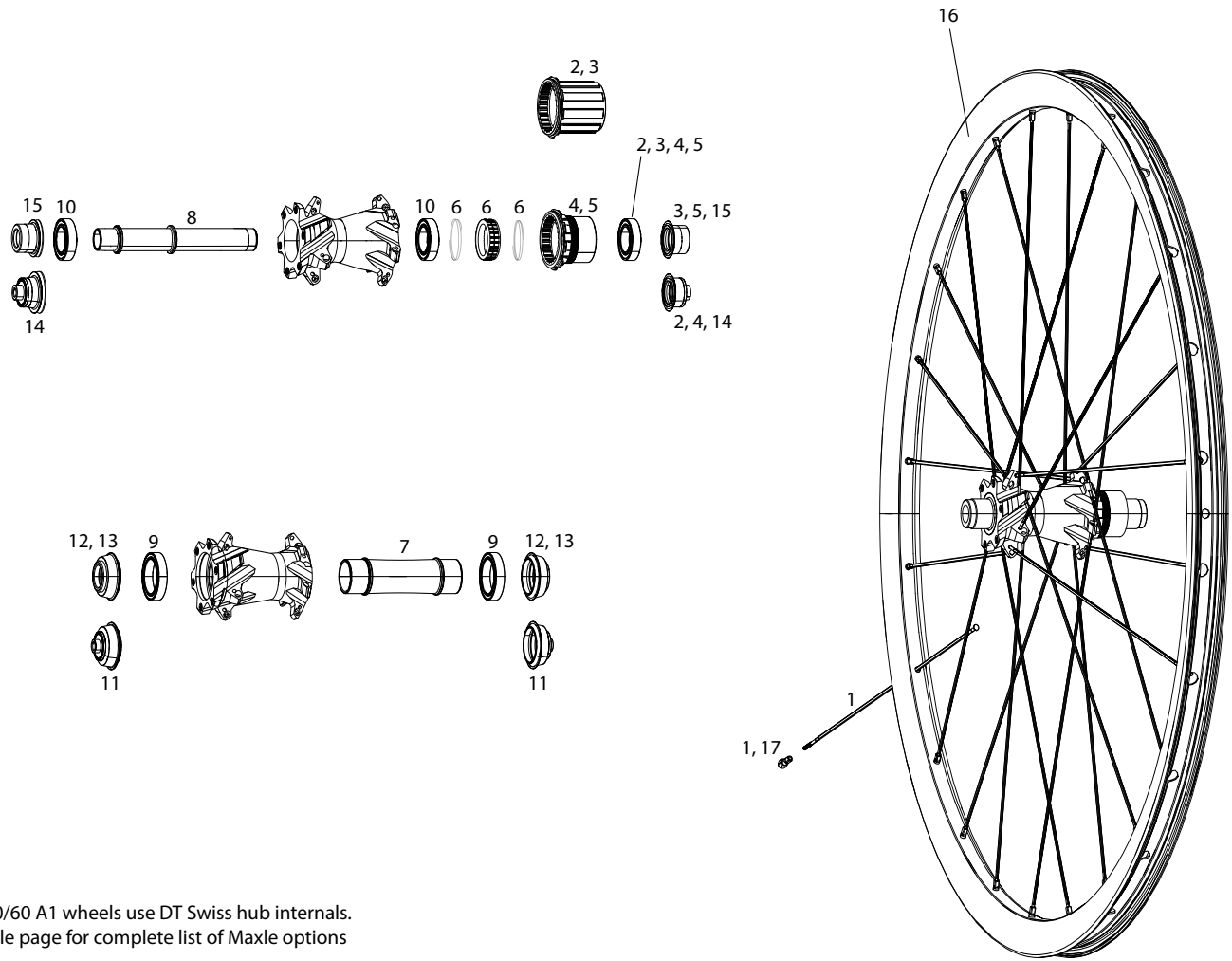
QUICK RELEASE & MAXLES (for complete list see Maxle page)

ns	00.1915.232.010	Quick Release Pair Rise 60 Stainless
ns	00.1915.002.020	Quick Release Pair X.9 Steel Black for MTB Wheels
ns	00.4318.005.001	Axle Maxle Ultimate Front MTB, 15x100, Length 148mm, ThreadLength 9mm, Thread Pitch M15x1.50 - PIKE, RS1, Lyrik B1, Yari
ns	00.4318.005.002	AxleMaxleLiteFrontMTB, 15x100, Length 148mm, ThreadLength 9mm, ThreadPitch M15x1.50-SID/Reba/Revelation/Recon/Sektor/XC32

See also Maxle page

TOOLS & SUPPORT

14	00.1918.177.010	Bearing Press Tool 23x32x7, Front Hub - X0 Hubs/900 Hubs/Rise 60 (B1)/Roam 30/Roam 40/Roam 60(B1)/Rail 40/Rise XX
15	00.1918.177.040	Bearing Press Tools 6903/63803D28, Rear Hub - X0 Hubs/900 Hubs/Rise 60 (B1)/Roam 30/Roam 40/Roam 60(B1)/Rail 40/Rise XX
ns	00.4318.008.000	Grease SRAM Butter 20ml Syringe, Friction Reducing Grease bySlickoleum - Recommended for X0/Rise XX/Roam 40, 30/Rail 40/Rise 60 B1/ Hub Pawls, RockShox Forks and Reverb Service
ns	00.4318.008.003	Grease SRAM Butter 500ml Container, Friction Reducing Greaseby Slickoleum - Recommended for SRAM Double Time Hubs & Wheels, RockShox Forks and Reverb Service



NOTES:

- 1. Roam 50/60 A1 wheels use DT Swiss hub internals.
- 2. See Maxle page for complete list of Maxle options

RIM SPARE PARTS

No. Part Number Description

1	11.1918.027.000	Spokes & Nipples & Washers 3-pack 268mm CX-Sprint Straight-Pull External Black - Roam 60 26"
1	11.1918.027.001	Spokes & Nipples & Washers 3-pack 280mm CX-Sprint Straight-Pull External Black - Roam 60 27.5"
1	11.1918.027.002	Spokes & Nipples & Washers 3-pack 298mm CX-Sprint Straight-Pull External Black - Roam 60 29"
1	11.1918.027.003	Spokes & Nipples 3-pack 270mm Bladed Straight-Pull ExternalBlack - Roam 50 26"
1	11.1918.027.004	Spokes & Nipples 3-pack 281mm Bladed Straight-Pull ExternalBlack - Roam 50 27.5"
1	11.1918.027.005	Spokes & Nipples 3-pack 300mm Bladed Straight-Pull ExternalBlack - Roam 50 29"
16	11.1918.028.000	Rim Roam 60 24H 26" Asymmetric Carbon Black With Decals
16	11.1918.028.001	Rim Roam 60 24H 27.5" Asymmetric Carbon Black With Decals
16	11.1918.028.002	Rim Roam 60 24H 29" Asymmetric Carbon Black With Decals
17	11.1918.033.001	Spoke Nipples Alloy for Rise 60/XX, Roam 50/60 and Rail series wheels 2.0 X 14 - QTY 24
ns	00.1918.126.004	Tubeless Kit Includes 26mm Tape, 2 Universal Valves & 1 Valve Core Wrench (Fits 21mm inner width rims, Rise 60 [B1]/Roam[A1]Wheels)
ns	00.1918.325.000	Tubeless Universal Valve, Removable Valve Core (includes 1tubeless valve & 1 valve core wrench) - SRAM MTB Wheels



**HUB SPARE PARTS**

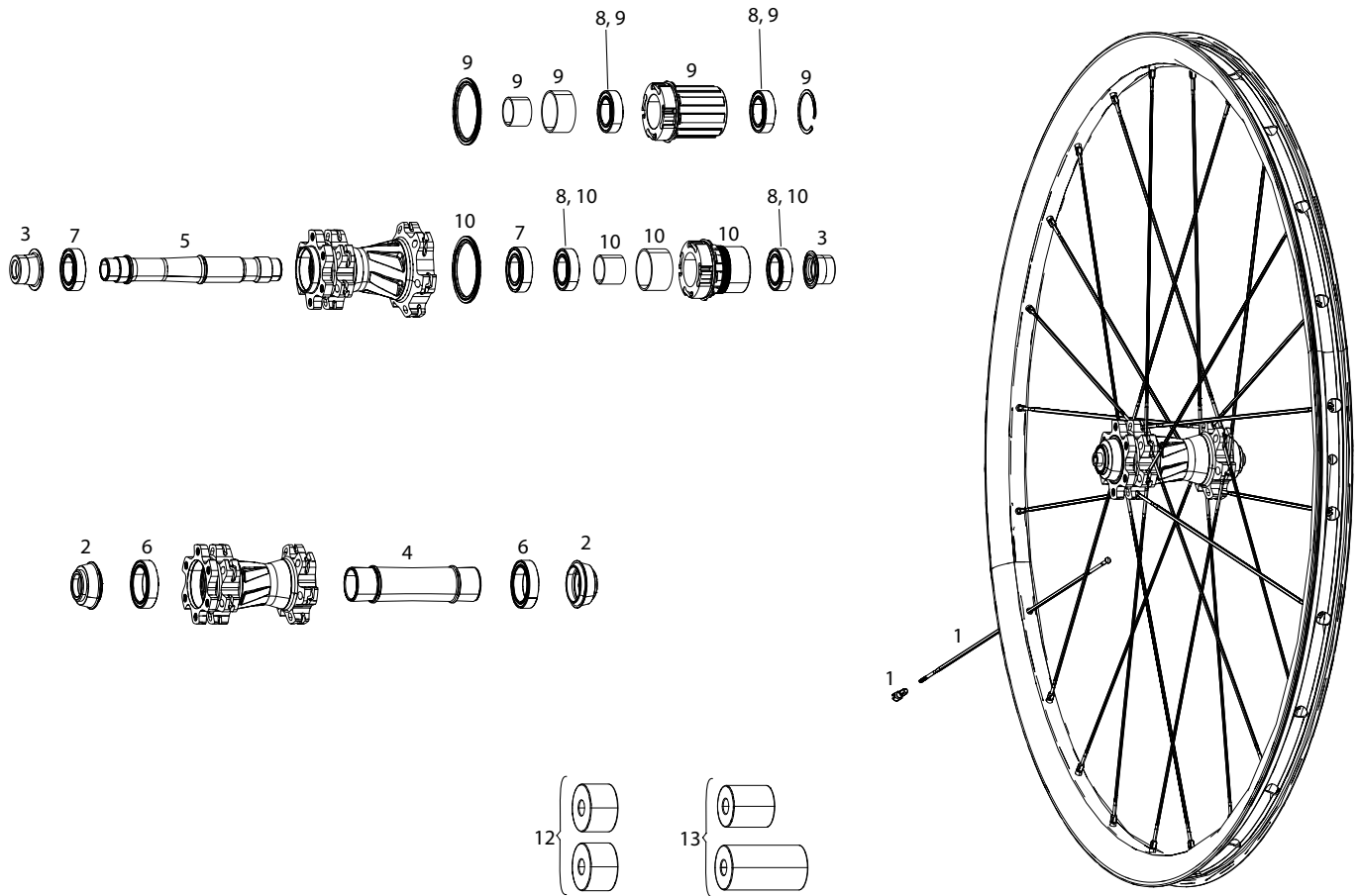
No.	Part Number	Description
2	00.1918.125.015	Conversion Cap and 9/10 Speed Driver Body Wheel Roam60/50, Rail50 Rear 135/QR (DT Part No. HWYABX00S1239S)
3	00.1918.125.016	Conversion Cap and 9/10 Speed Driver Body Wheel Roam60/50, Rail50 Rear 135/12mm Thru Axle (DT Part No. HWRABX00S1239S)
3	00.1918.125.017	Conversion Cap and 9/10 Speed Driver Body Wheel Roam60/50, Rail50 Rear 142/12mm Thru Axle (DT Part No. HWRABX00S1239S)
4	00.1918.125.009	Conversion Cap and XD Driver Body Wheel Roam60/50, Rail50 Rear 135/QR (DT Part No. HWYAX00S3115S)
6	11.1918.029.000	Star Ratchets/Springs 18T Roam 50,60/Rail 50 (DT Part No. HWTXXX00NSK24S)
6	11.1918.029.001	Star Ratchets/Springs 36T Roam 50,60/Rail 50 (DT Part No. HWDXXX00N2884S)
7	11.1918.029.002	Hub Axle Front Roam 60/Rail 50 (DT Part No. HCCXXX00S1792S)
7	11.1918.029.003	Hub Axle Front Roam 50 (DT Part No. HRCXXX00N2147S)
8	11.1918.029.004	Hub Axle Rear Roam 50,60/Rail 50 (DT Part No. HCCXXX00S2216S)
9	11.1918.029.005	Hub Bearing Set Front Roam 60/Rail 50 - 6805 Qty 2 (DT PartNo. HSBXXX00N2453S)
9	11.1918.029.006	Hub Bearing Set Front Roam 50 - 6903/61903 Qty 2 (DT Part No. HSBXXX00N2148S)
10	11.1918.029.007	Hub Bearing Set Rear Roam 50,60/Rail 50 (Hub Shell Bearing) 6902 Qty 2 (DT Part No. HSBXXX00N1468S)

**CONVERSION END CAPS**

5	00.1918.125.010	Conversion Cap and XD Driver Body Wheel Roam60/50, Rail50 Rear 135/12mm Thru Axle (DT Part No. HWYAX00S3382S)
5	00.1918.125.011	Conversion Cap and XD Driver Body Wheel Roam60/50, Rail50 Rear 142/12mm Thru Axle (DT Part No. HWYAX00S3188S)
11	00.1918.125.001	Conversion Caps Wheel Roam60/Rail50 Front 100/9mm QR 19mm (DT Part No. HWYXXX00S2479S)
11	00.1918.125.004	Conversion Caps Wheel Roam50 Front 100/9mm QR 19mm (DT PartNo. N/A)
12	00.1918.125.002	Conversion Caps Wheel Roam60/Rail50 Front 100/15mm Thru Axle(DT Part No. HWYXXX00S2477S)
12	00.1918.125.005	Conversion Caps Wheel Roam50 Front 100/15mm Thru Axle (DT Part No. N/A)
13	00.1918.125.003	Conversion Caps Wheel Roam60/Rail50 Front 110/20mm Thru Axle(DT Part No. HWYXXX00S2480S)
14	00.1918.125.006	Conversion Caps Wheel Roam60/50, Rail50 Rear 135/QR (DT PartNo. HWGXXX0001528S)
14	00.1918.125.012	Conversion Caps XD Wheel Roam 60/50, Rail50 Rear 135/QR (DTPart No. HWGXXX00S3115S)
15	00.1918.125.007	Conversion Caps Wheel Roam60/50, Rail50 Rear 135/12mm Thru Axle (DT Part No. N/A)
15	00.1918.125.013	Conversion Caps XD Wheel Roam 60/50, Rail50 Rear 135/12mm Thru Axle (DT Part No. HWGXXX00S3382S)
15	00.1918.125.008	Conversion Caps Wheel Roam60/50, Rail50 Rear 142/12mm Thru Axle (DT Part No. HWGXXX0002193C)
15	00.1918.125.014	Conversion Caps XD Wheel Roam 60/50, Rail50 Rear 142/12mm Thru Axle (DT Part No. HWGXXX00S3188S)

**QUICK RELEASE & MAXLES (for complete list see Maxle page)**

ns	00.1915.232.010	Quick Release Pair Rise 60 Stainless
ns	00.1915.002.020	Quick Release Pair X.9 Steel Black for MTB Wheels
ns	00.4318.005.001	Axle Maxle Ultimate Front MTB, 15x100, Length 148mm, ThreadLength 9mm, Thread Pitch M15x1.50 - PIKE, RS1, Lyrik B1, Yari
ns	00.4318.005.018	Axle Maxle Stealth Front MTB, 15x100, Length 148mm, Thread Length 9mm, Thread Pitch M15x1.50 (not compatible with RS-1 Standard See also Maxle page



NOTES:

1. Rail 40 wheels use Double Time hub internals.
2. See Maxle page for complete list of Maxle options

RIM SPARE PARTS

No. Part Number Description

- 1 11.1918.027.013Spokes & Nipples 3-pack 276mm Straight-Pull External Black -Roam 40/Rail 40 27.5"
- 1 11.1918.027.014Spokes & Nipples 3-pack 294mm Straight-Pull External Black -Roam 40/Rail 40 29"
- 1 11.1918.027.019Spokes & Nipples 24-pack 276mm Straight-Pull External Black Roam 40/Rail 40 27.5" (includes qty for complete wheel build)
- 1 11.1918.027.020Spokes & Nipples 24-pack 294mm Straight-Pull External Black Roam 40/Rail 40 29" (includes qty for complete wheel build)
- ns 11.1915.084.190Decal Kit - Rail 40 MTB 27 Black/Silver wheel (Silver/White/Black decal) - 1 Rim
- ns 11.1915.084.200Decal Kit - Rail 40 MTB 29 Black/Silver wheel (Silver/White/Black decal) - 1 Rim
- ns 00.1918.126.005Tubeless Kit Includes 28mm Tape, 2 Universal Valves & 1 Valve Core Wrench (Fits 23mm inner width rims, Rail [A1] Wheels)
- ns 00.1918.325.000Tubeless Universal Valve, Removable Valve Core (includes 1tubeless valve & 1 valve core wrench) - SRAM MTB Wheels

HUB SPARE PARTS

- 4 11.1918.002.012Hub Axle Front - X0 Hubs/Rise 60 (B1)/Roam 30/Roam 40/Rail 40/Rise XX/900/Roam 50/60 (B1)
- 4 11.1918.002.016Hub Axle Front Double Time 15x110 Boost Compatible (only forBoost front hubs) - X0 A1/ Roam 30/40/Roam 50/60 (B1)/ 900
- 5 11.1918.002.013Hub Axle Rear - X0 Hubs/Rise 60 (B1)/Roam 30/Roam 40/Rail 40/Rise XX/ Roam 50/60 (B1)
- 5 11.1918.002.015Hub Axle Rear X0 12X148 Boost Compatible (only for Boost rear hubs) - X0, Roam 30/40, Rail 40/Roam 50/60 (B1)
- 6 11.1918.003.030Hub Bearing Set Front Double Time (includes 2-23327) - X0 Hubs/Rise 60 (B1)/Roam 30/Roam 40/Roam 50/60 (B1)/Rail 40
- 7 11.1918.003.040Hub Bearing Set Rear Double Time (includes 1-6903/61903&1-63803D28)-X0Hubs/Rise60(B1)/Roam30/Roam40/Roam50/60(B1)/Rail 40
- 8 11.1918.003.050Hub Bearing Set Freehub Double Time (includes 2-63803D28) -X0 Hubs/Rise60 (B1)/Roam 30/Roam 40/Roam 50/60 (B1)/Rail 40
- 9 11.1918.000.011Freehub Body with Bearings 9/10 Speed - X0 Hubs/Rise 60 (B1)/Roam 30/Roam 40/Rail 40/Rise XX/Roam 50/60 (B1)
- 10 11.1918.000.012Freehub Body with Bearings 11 Speed XD - X0 Hubs/Rise 60 (B1)/Roam 30/Roam 40/Rail 40/Rise XX/Roam 50/60 (B1)



## CONVERSION END CAPS

No.	Part Number	Description
2	00.1918.145.000	ConversionCapsHubDoubleTimeFront,9x100QR19mmStandard-X0Hubs/900Hubs/Rise60(B1)/Roam30/Roam40/Roam50/60(B1)/Rail40/RiseXX
2	00.1918.145.001	ConversionCapsHubDoubleTimeFront,9x100QR31mmRockShox-X0Hubs/900Hubs/Rise60(B1)/Roam30/Roam40/Roam50/60(B1)/Rail40/RiseXX
2	00.1918.145.002	ConversionCapsHubDoubleTimeFront,15x100mmThroughAxle X0Hubs/900Hubs/Rise60(B1)/Roam30/Roam40/Roam50/60(B1)/Rail40/RiseXX
2	00.1918.145.011	ConversionCapsHubDoubleTimeFront,15x100/15x110Boost,31mmThroughAxle,TorqueCapRockShoxForks-X0Hubs/900Hubs/Rise60(B1)/Roam30/Roam40/Roam50/60(B1)/Rail40/RiseXX
2	00.1918.145.003	ConversionCapsHubDoubleTimeFront,20x110ThroughAxle-X0Hubs/900Hubs/Rise60(B1)/Roam30/Roam40/Roam50/60(B1)/Rail40/RiseXX
3	00.1918.145.004	ConversionCapsHubDoubleTimeRear,10x135QR,fits9/10SpeedDriverBody-X0Hubs/900Hubs/Rise60(B1)/Roam30/Roam40/Roam50/60(B1)/Rail40/RiseXX
3	00.1918.145.006	ConversionCapsHubDoubleTimeRear,10x135QR,fitsXD/XD-RDriverBodies-X0Hubs/900Hubs/Rise60(B1)/Roam30/Roam40/Roam50/60(B1)/Rail40/RiseXX
3	00.1918.145.007	ConversionCapsHubDoubleTimeRear,12x142/12x157X0DH/12x148Boost,fitsXD/XD-RDriverBodies-X0Hubs/900Hubs/Rise60(B1)/Roam30/Roam40/Roam50/60(B1)/Rail40/RiseXX
3	00.1918.145.009	ConversionCapsHubDoubleTimeRear,12x135ThroughAxle,fits9/10SpeedDriverBody-X0Hubs/900Hubs/Rise60(B1)/Roam30/Roam40/Roam60(B1)/Rail40/RiseXX
3	00.1918.145.010	ConversionCapsHubDoubleTimeRear,12x142/12x157X0DH/12x148Boost,ThroughAxle,9/10SpeedDriverBody-X0Hubs/900Hubs/Rise60(B1)/Roam30/Roam40/Roam50/60(B1)/Rail40/RiseXX
3	00.1918.145.012	ConversionCapsHubDoubleTimeRear-12x135,12X150X0DHThroughAxle,fitsXD/XD-RDriverBodies-X0Hubs/900Hubs/Rise60(B1)/Roam30/Roam40/Roam50/60(B1)/Rail40/RiseXX

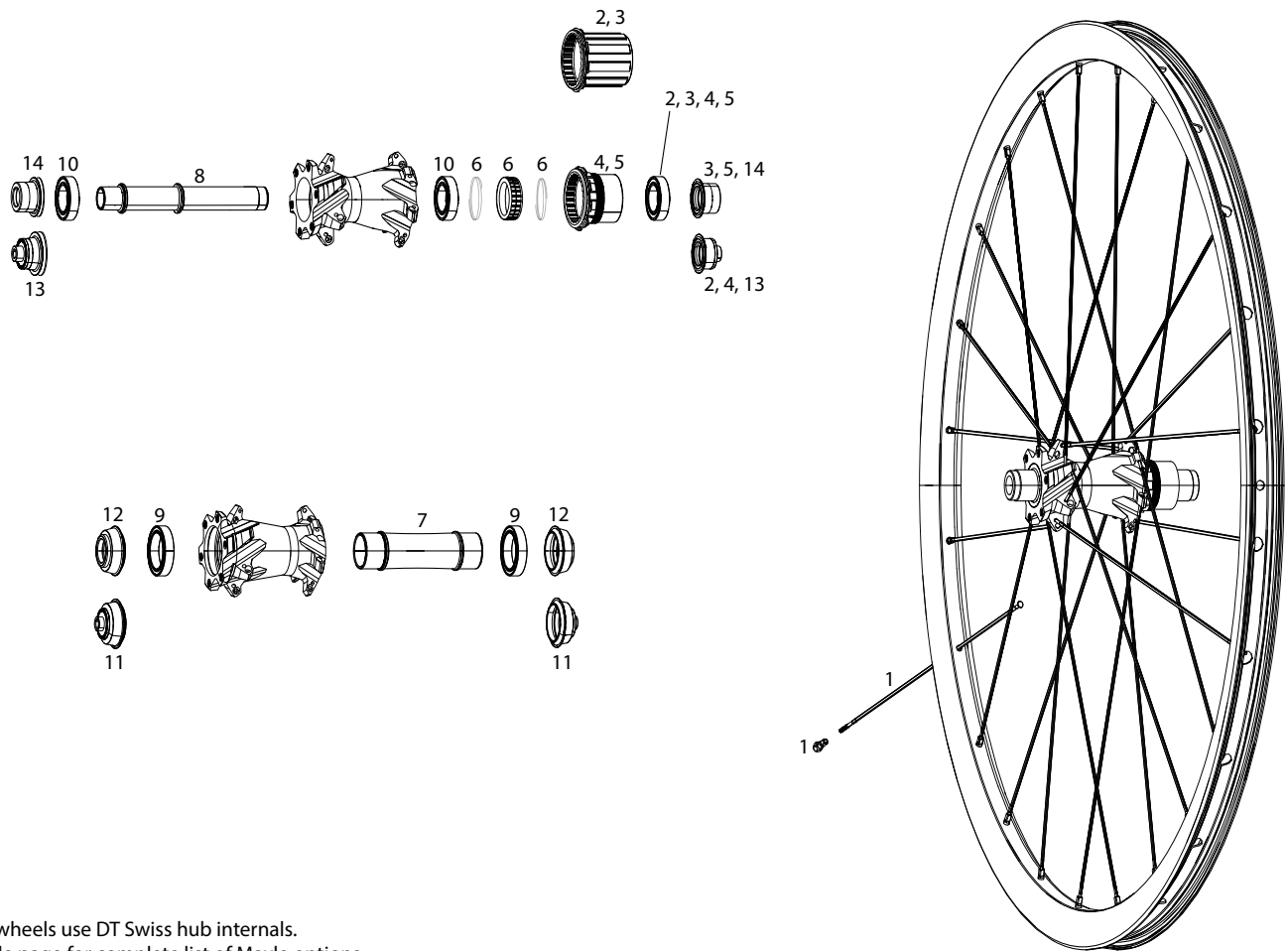
## QUICK RELEASE & MAXLES (for complete list see Maxle page)

ns	00.1915.232.010	Quick Release Pair Rise 60 Stainless
ns	00.1915.002.020	Quick Release Pair X.9 Steel Black for MTB Wheels
ns	00.4318.005.001	Axle Maxle Ultimate Front MTB, 15x100, Length 148mm, ThreadLength 9mm, Thread Pitch M15x1.50 - PIKE, RS1, Lyrik B1, Yari
ns	00.4318.005.002	Axle Maxle Lite Front MTB, 15x100, Length 148mm, ThreadLength 9mm, ThreadPitch M15x1.50 - SID/Reba/Revelation/Recon/Sektor/XC32

**See also Maxle page**

## TOOLS & SUPPORT

12	00.1918.177.010	Bearing Press Tool 23x32x7, Front Hub - X0 Hubs/900 Hubs/Rise 60 (B1)/Roam 30/Roam 40/Roam 60(B1)/Rail 40/Rise XX
13	00.1918.177.020	Bearing Press Tools 6903/63803D28, Rear Hub - X0 Hubs/Rise 60 (B1)/Roam 30/Roam 40/Rail 40/Rise XX
ns	00.4318.008.000	Grease SRAM Butter 20ml Syringe, Friction Reducing Grease bySlickoleum - Recommended for X0/Rise XX/Roam 40, 30/Rail 40/Rise 60 B1/ Hub Pawls, RockShox Forks and Reverb Service



NOTES:

- 1. RAIL 50 wheels use DT Swiss hub internals.
- 2. See Maxle page for complete list of Maxle options

RIM SPARE PARTS

No. Part Number Description

- 1 11.1918.027.006 Spokes & Nipples 3-pack 270mm Bladed Straight-Pull ExternalBlack - Rail 50 26"
- 1 11.1918.027.007 Spokes & Nipples 3-pack 281mm Bladed Straight-Pull ExternalBlack - Rail 50 27.5"
- 1 11.1918.027.008 Spokes & Nipples 3-pack 300mm Bladed Straight-Pull ExternalBlack - Rail 50 29"
- ns 00.1918.126.005 Tubeless Kit Includes 28mm Tape, 2 Universal Valves & 1 Valve Core Wrench (Fits 23mm inner width rims, Rail [A1] Wheels)
- ns 00.1918.325.000 Tubeless Universal Valve, Removable Valve Core (includes 1 tubeless valve & 1 valve core wrench) - SRAM MTB Wheels

HUB SPARE PARTS

- 2 00.1918.125.015 Conversion Cap and 9/10 Speed Driver Body Wheel Roam60/50, Rail50 Rear 135/QR (DT Part No. HWYABX00S1239S)
- 3 00.1918.125.016 Conversion Cap and 9/10 Speed Driver Body Wheel Roam60/50, Rail50 Rear 135/12mm Thru Axle (DT Part No. HWRABX00S1239S)
- 3 00.1918.125.017 Conversion Cap and 9/10 Speed Driver Body Wheel Roam60/50, Rail50 Rear 142/12mm Thru Axle (DT Part No. HWRABX00S1239S)
- 4 00.1918.125.009 Conversion Cap and XD Driver Body Wheel Roam60/50, Rail50 Rear 135/QR (DT Part No. HWYAAAX00S3115S)
- 5 00.1918.125.010 Conversion Cap and XD Driver Body Wheel Roam60/50, Rail50 Rear 135/12mm Thru Axle (DT Part No. HWYAAAX00S3382S)
- 5 00.1918.125.011 Conversion Cap and XD Driver Body Wheel Roam60/50, Rail50 Rear 142/12mm Thru Axle (DT Part No. HWYAAAX00S3188S)
- 6 11.1918.029.000 Star Ratchets/Springs 18T Roam 50,60/Rail 50 (DT Part No. HWTXXX00NSK24S)
- 6 11.1918.029.001 Star Ratchets/Springs 36T Roam 50,60/Rail 50 (DT Part No. HWDXXX00N2884S)
- 7 11.1918.029.002 Hub Axle Front Roam 60/Rail 50 (DT Part No. HCCXXX00S1792S)
- 8 11.1918.029.004 Hub Axle Rear Roam 50,60/Rail 50 (DT Part No. HCCXXX00S2216S)
- 9 11.1918.029.005 Hub Bearing Set Front Roam 60/Rail 50 - 6805 Qty 2 (DT Part No. HSBXXX00N2453S)
- 10 11.1918.029.007 Hub Bearing Set Rear Roam 50,60/Rail 50 (Hub Shell Bearing) 6902 Qty 2 (DT Part No. HSBXXX00N1468S)





**CONVERSION END CAPS**

No. Part Number Description

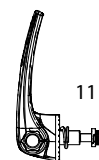
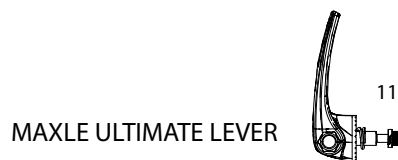
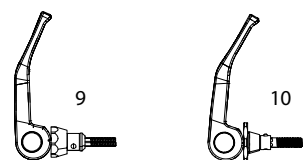
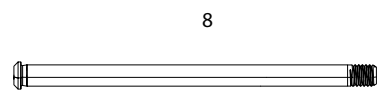
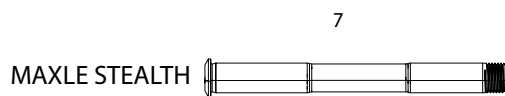
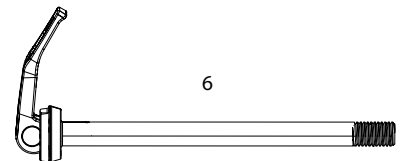
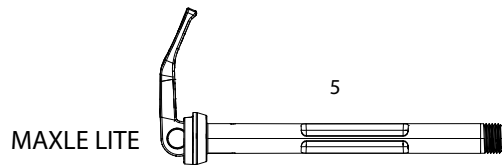
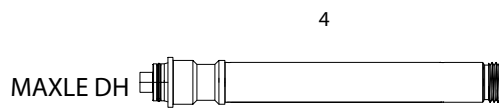
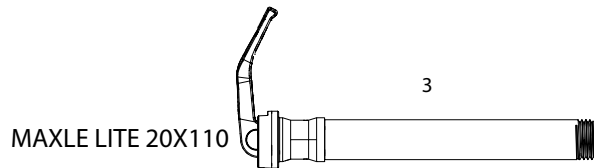
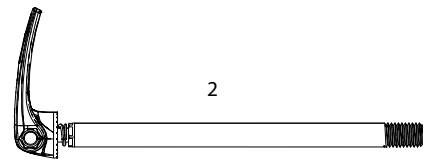
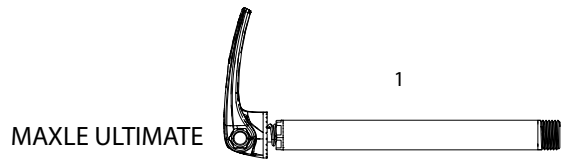
- 11 00.1918.125.001 Conversion Caps Wheel Roam60/Rail50 Front 100/9mm QR 19mm (DT Part No. HWYXXX00S2479S)
- 12 00.1918.125.002 Conversion Caps Wheel Roam60/Rail50 Front 100/15mm Thru Axle(DT Part No. HWYXXX00S2477S)
- 12 00.1918.125.003 Conversion Caps Wheel Roam60/Rail50 Front 110/20mm Thru Axle(DT Part No. HWYXXX00S2480S)
- 13 00.1918.125.006 Conversion Caps Wheel Roam60/50, Rail50 Rear 135/QR (DT PartNo. HWGXXX0001528S)
- 13 00.1918.125.012 Conversion Caps XD Wheel Roam 60/50, Rail50 Rear 135/QR (DTPart No. HWGXXX00S3115S)
- 14 00.1918.125.007 Conversion Caps Wheel Roam60/50, Rail50 Rear 135/12mm Thru Axle (DT Part No. N/A)
- 14 00.1918.125.013 Conversion Caps XD Wheel Roam 60/50, Rail50 Rear 135/12mm Thru Axle (DT Part No. HWGXXX00S3382S)
- 14 00.1918.125.008 Conversion Caps Wheel Roam60/50, Rail50 Rear 142/12mm Thru Axle (DT Part No. HWGXXX0002193C)
- 14 00.1918.125.014 Conversion Caps XD Wheel Roam 60/50, Rail50 Rear 142/12mm Thru Axle (DT Part No. HWGXXX00S3188S)

**QUICK RELEASE & MAXLES (for complete list see Maxle page)**

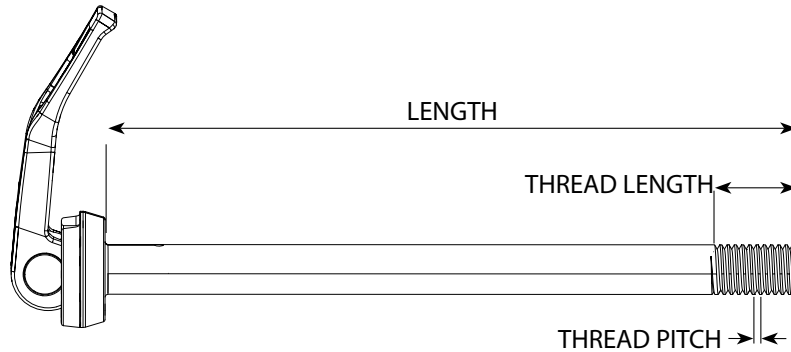
- ns 00.1915.232.010 Quick Release Pair Rise 60 Stainless
  - ns 00.1915.002.020 Quick Release Pair X.9 Steel Black for MTB Wheels
  - ns 00.4318.005.001 Axle Maxle Ultimate Front MTB, 15x100, Length 148mm, ThreadLength 9mm, Thread Pitch M15x1.50 - PIKE, RS1, Lyrik B1, Yari
  - ns 00.4318.005.018 Axle Maxle Stealth Front MTB, 15x100, Length 148mm, Thread Length 9mm, Thread Pitch M15x1.50 (not compatible with RS-1 Standard)
- See also Maxle page

FRONT

REAR



## MAXLE



Note:

1. Rear Maxle requires compatible bicycle frame/drop-out.
2. Original (2008-2009) Rear Maxle assembly is no longer available.
3. Rear Maxle Lite or Ultimate lever and internals are NOT compatible with original Rear Maxle.

## MAXLE ULTIMATE

No. Part Number Description

1	00.4318.005.001	Axle Maxle Ultimate Front MTB, 15x100, Length 148mm, ThreadLength 9mm, Thread Pitch M15x1.50 - PIKE, RS1, Lyrik B1, Yari
1	00.4318.005.007	Axle Maxle Ultimate Front MTB, 15x110, Length 158mm, ThreadLength 9mm, Thread Pitch M15x1.50 - PIKE, Lyrik B1, Yari Boost Compatible
1	00.4318.005.006	Axle Maxle Ultimate Front Road, 15x100, Length 125mm, ThreadLength 9mm, Thread Pitch M15x1.50 - Road
1	00.4318.005.005	Axle Maxle Ultimate Front Road, 12x100, Length 125mm, ThreadLength 12mm, Thread Pitch M12x1.50 - Road
2	00.4318.005.008	Axle Maxle Ultimate Rear MTB, 12x135, Length 167mm, Thread Length 20mm, Thread Pitch M12x1.75 - Standard
2	00.4318.005.009	Axle Maxle Ultimate Rear MTB, 12x142, Length 174mm, Thread Length 20mm, Thread Pitch M12x1.75 - Standard
2	00.4318.005.010	Axle Maxle Ultimate Rear MTB, 12x148, Length 180mm, Thread Length 20mm, Thread Pitch M12x1.75 - Boost Compatible
2	00.4318.005.011	Axle Maxle Ultimate Rear MTB, 12x150, Length 182mm, Thread Length 20mm, Thread Pitch M12x1.75 - Standard
2	00.4318.005.012	Axle Maxle Ultimate Rear MTB, 12x148, Length 188mm, Thread Length 20mm, Thread Pitch M12x1.75 - Boost Compatible
2	00.4318.005.013	Axle Maxle Ultimate Rear MTB, 12x142, Length 195mm, Thread Length 20mm, Thread Pitch M12x1.75 - Split Pivot Custom
2	00.4318.005.014	Axle Maxle Ultimate Rear MTB, 12x177, Length 217mm, Thread Length 20mm, Thread Pitch M12x1.75 - Fat Bike Custom
2	00.4318.005.015	Axle Maxle Ultimate Rear MTB, 12x197, Length 229mm, Thread Length 20mm, Thread Pitch M12x1.50 - Fat Bike Custom

## MAXLE 20X110

3	00.4315.013.010	Axle Maxle Lite Front MTB 20x110 Length 158mm Thread Length 9mm Thread Pitch M20x2.0 - 32mm Chassis (2011-2016)
3	00.4315.013.030	Axle Maxle Lite Front MTB 20x110 Length 165mm Thread Length 9mm Thread Pitch M20x2.0 - 35mm/40mm Chassis (2011-2016)
4	00.4315.013.040	Axle Maxle DH Front MTB 20x110 Length 165mm Thread Length 9mm Thread Pitch M20x2.0 - 35mm Chassis

## MAXLE LITE

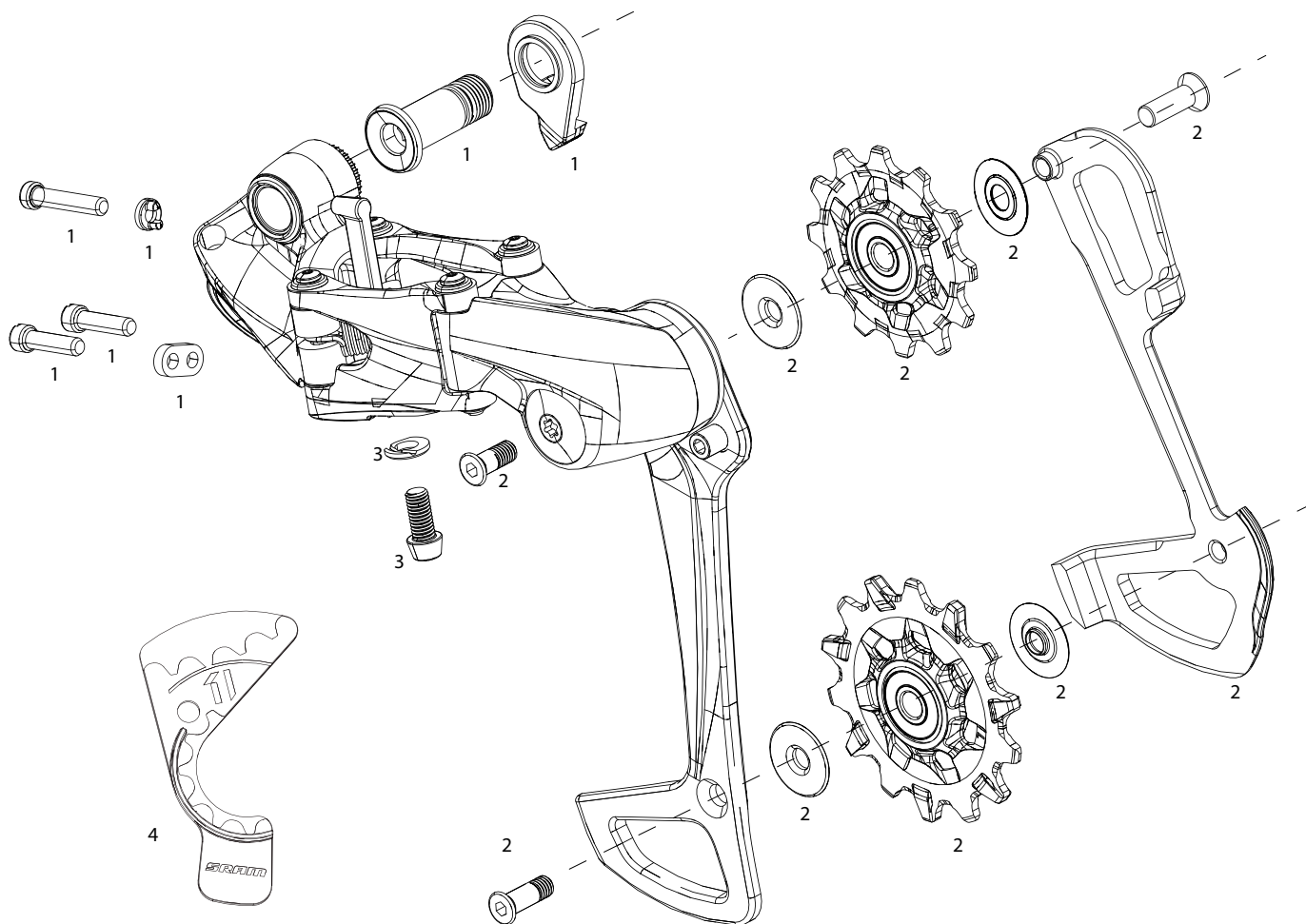
5	00.4318.005.002	Axle Maxle Lite Front MTB, 15x100, Length 148mm, Thread Length 9mm, Thread Pitch M15x1.50 - SID/Reba/Revelation/Recon/Sektor/XC32
5	00.4318.005.003	Axle Maxle Lite Front MTB, 15x150, Length 198mm, Thread Length 9mm, Thread Pitch M15x1.50 - Bluto A1
5	00.4318.005.004	Axle Maxle Lite Front MTB, 15x110, Length 158mm, Thread Length 9mm, Thread Pitch M15x1.50 Boost Compatible - SID/Reba
6	00.4315.015.010	Axle Maxle Lite Rear 12x135, Length 167mm, Thread Length 20mm, Thread Pitch M12x1.75 - Standard
6	00.4315.015.020	Axle Maxle Lite Rear 12x142, Length 174mm, Thread Length 20mm, Thread Pitch M12x1.75 - Standard
6	00.4315.015.030	Axle Maxle Lite Rear 12x150, Length 182mm, Thread Length 20mm, Thread Pitch M12x1.75 - Standard

## MAXLE STEALTH

7	00.4318.005.016	Axle Maxle Stealth Front Road, 12x100, Length 125mm, ThreadLength 12mm, Thread Pitch M12x1.50 - Road
7	00.4318.005.017	Axle Maxle Stealth Front Road, 15x100, Length 125mm, ThreadLength 9mm, Thread Pitch M15x1.50 Road
7	00.4318.005.018	Axle Maxle Stealth Front MTB, 15x100, Length 148mm, Thread Length 9mm, Thread Pitch M15x1.50 (not compatible with RS-1) Standard
7	00.4318.005.019	Axle Maxle Stealth Front MTB, 15x110, Length 158mm, Thread Length 9mm, Thread Pitch M15x1.50 - Boost Compatible
7	00.4318.005.020	Axle Maxle Stealth Front MTB, 15x150, Length 198mm, Thread Length 9mm, Thread Pitch M15x1.50 - Bluto
8	00.4318.005.021	Axle Maxle Stealth Front Road, 12x100, Length 118.5mm, Thread Length 9mm, Thread Pitch M12X1.5 - Road Forks
8	00.4318.005.022	Axle Maxle Stealth Rear MTB, 12x142, Length 160mm, Thread Length 20mm, Thread Pitch M12X1.5 - Road Frames
8	00.4318.005.023	Axle Maxle Stealth Rear MTB, 12x142, Length 164mm, Thread Length 10mm, Thread Pitch M12X1.5 - Standard Frames
8	00.4318.005.024	Axle Maxle Stealth Rear MTB, 12x142, Length 167mm, Thread Length 20mm, Thread Pitch M12X1.0 - Santa Cruz, Scott Frames
8	00.4318.005.025	Axle Maxle Stealth Rear MTB, 12x148, Length 170mm, Thread Length 10mm, Thread Pitch M12X1.5 - Boost E-Thru Interface Frames
8	00.4318.005.026	Axle Maxle Stealth Rear MTB, 12x142, Length 170.5mm, ThreadLength 14mm, Thread Pitch M12X1.5 - Giant Frames
8	00.4318.005.027	Axle Maxle Stealth Rear MTB, 12x142, Length 174mm, Thread Length 20mm, Thread Pitch M12X1.75 - Standard Frames
8	00.4318.005.028	Axle Maxle Stealth Rear MTB, 12x148, Length 180mm, Thread Length 20mm, Thread Pitch M12X1.75 - Boost Frames
8	00.4318.005.029	Axle Maxle Stealth Rear MTB, 12x148, Length 188mm, Thread Length 20mm, Thread Pitch M12X1.75 - Boost Split Pivot Frames
8	00.4318.005.030	Axle Maxle Stealth Rear MTB, 12x148, Length 195mm, Thread Length 20mm, Thread Pitch M12X1.75 - Boost Trek ABP Frames

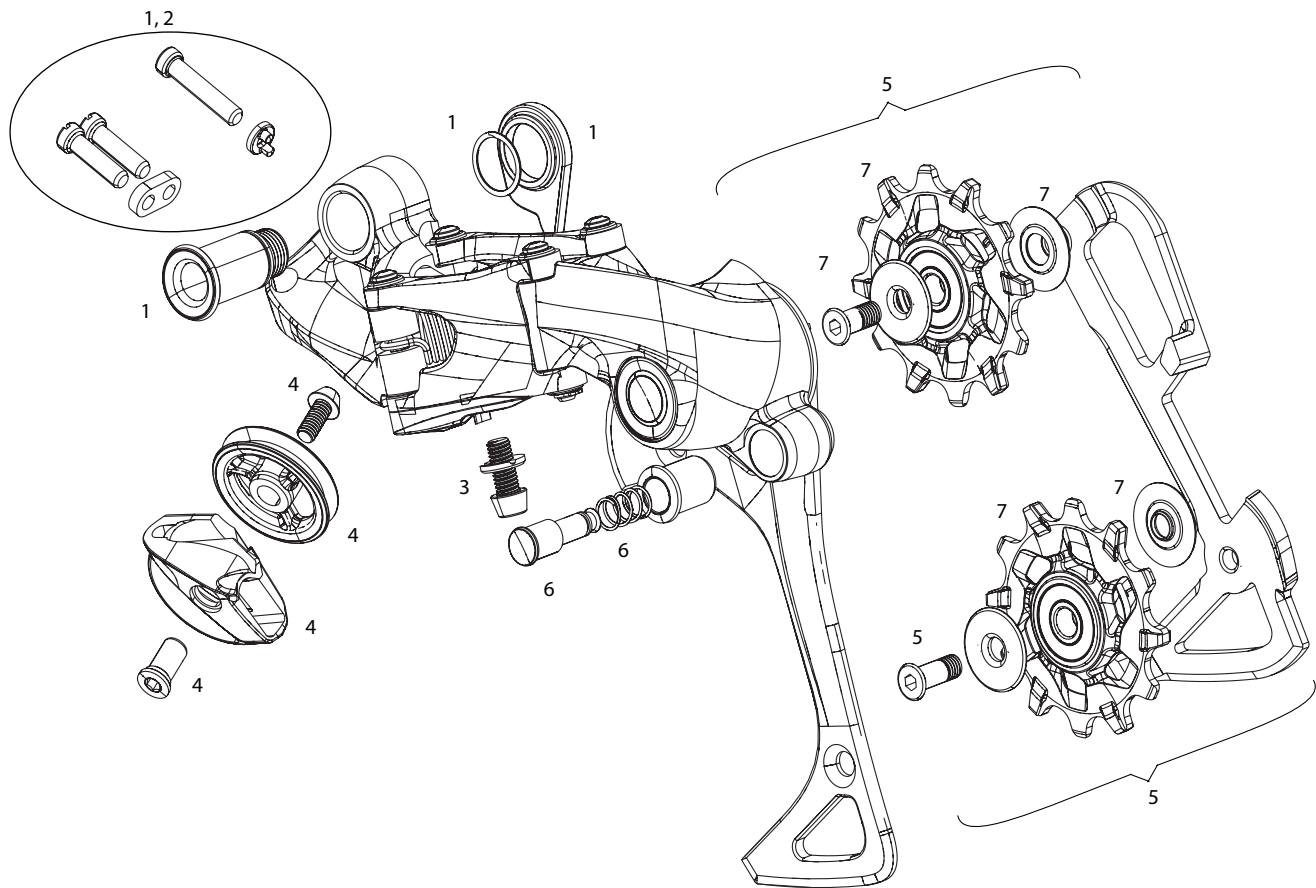
## MAXLE LEVER

9	11.4318.004.001	Maxle Lite 15mm XC Lever Assembly
10	11.4315.010.010	Lever/Wedge Kit, Rear Maxle Lite 135/150mm (axle body)/Maxle Lite 15mm (front) - Black Lever 2010-2013
11	11.4318.004.000	Maxle Ultimate Lever Assembly B1



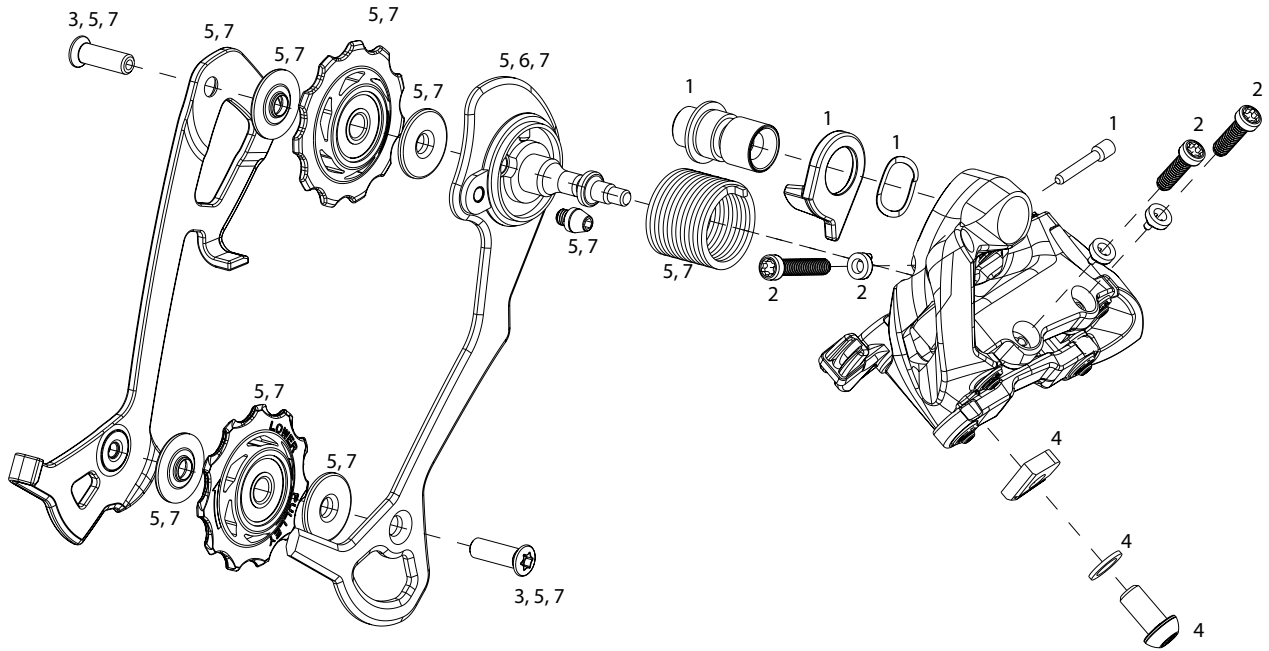
NOTE: XX1 / X01 Eagle rear derailleur is compatible with Eagle 1X12 crank and shifter only.

No.	Part Number	Description
1	11.7518.076.000XX1	Eagle Rear Derailleur B-Bolt and Limit Screw Kit Gold Hex5
1	11.7518.076.010XX1	Eagle/X01/X1 Rear Derailleur B-Bolt and Limit Screw Kit Black Hex5
1	11.7518.080.000X01	Eagle Rear Derailleur B-Bolt and Limit Screw Kit Hex5
2	11.7518.077.000XX1	Eagle Rear Derailleur 12 speed X-Sync Pulleys and InnerCage Gold
2	11.7518.077.010XX1	Eagle Rear Derailleur 12 speed X-Sync Pulleys and InnerCage Grey
2	11.7518.078.000X01	Eagle Rear Derailleur 12 speed X-Sync Pulleys and InnerCage Red
2	11.7518.078.010X01	Eagle Rear Derailleur 12 speed X-Sync Pulleys and InnerCage Grey
3	11.7518.079.000X01	Eagle Rear Derailleur Cable Anchor Bolt and Washer Kit
4	11.7518.082.000	Rear Derailleur XX1/X01/GX Eagle Chaingap Adjustment Gage
ns	11.7518.084.000XX1	Eagle/X01 Eagle Type 3 Cage Lock with Spring Qty 1 Gold
ns	11.7518.084.010XX1	Eagle/X01 Eagle Type 3 Cage Lock with Spring Qty 1 Grey



NOTE: XX1 / X01 / X1 rear derailleur is compatible with 1X11 crank and shifter only.

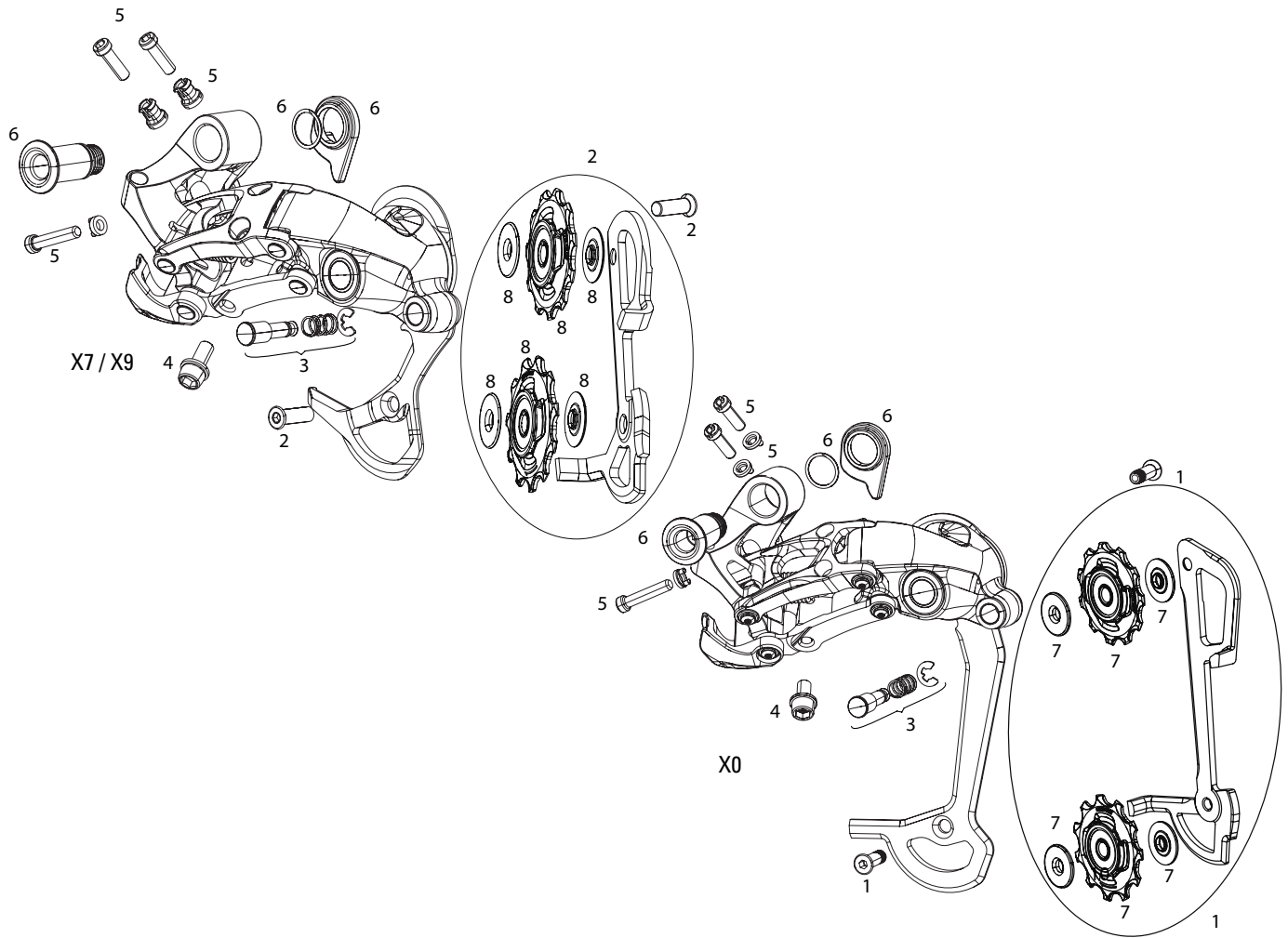
No.	Part Number	Description
1	11.7518.014.000	XX1/X01/X1 Rear Derailleur B-Bolt and Limit Screw Kit Torx25
1	11.7518.081.000	XX1 Rear Derailleur B-Bolt and Limit Screw Kit Hex5
1	11.7518.076.010	XX1 Eagle/X01/X1 Rear Derailleur B-Bolt and Limit Screw Kit Black Hex5
1	11.7518.033.000	X01DH 7 Speed B-Bolt Kit Torx25
1	11.7518.068.000	GX DH/X01DH 7 Speed Rear Derailleur B-Bolt and Limit Screw Kit Hex5
1	11.7518.033.001	X01DH 10 Speed B-Bolt Kit Torx25
2	11.7518.034.000	RD X01 and X01DH B-Screw and Limit Screw Kit
3	11.7518.015.000	XX1 Rear Derailleur Cable Anchor Bolt and Washer Kit
3	11.7518.028.000	X01/DH/X1 Rear Derailleur Cable Anchor Bolt and Washer Kit
4	11.7518.016.000	XX1 Rear Derailleur Cable Pulley and Guide Kit
4	11.7518.029.000	X01/DH/X1 Rear Derailleur Cable Pulley and Guide Kit
5	11.7518.017.000	XX1 Rear Derailleur 11 speed X-Sync Pulleys and Inner Cage (Outer Cage Not Replaceable)
5	11.7518.030.000	X01/X1 Rear Derailleur 11 Speed X-Sync Pulleys and Inner Cage (Outer Cage Not Replaceable)
5	11.7518.031.000	X01DH Pulleys and Inner Cage - Short
5	11.7518.031.001	X01DH Pulleys and Inner Cage - Medium
5	11.7518.083.000	Rear Derailleur EX1 8 Speed Cage and Pulley Kit
6	11.7518.045.000	Rear Derailleur Clutch Cage Lock with Spring Qty 1
7	00.7518.025.000	BlackBox Ceramic Hybrid Bearing Pulleys XX1 X-Sync 11speed
7	11.7518.032.000	RD X01/X01DH/X1/CX1 X-Sync Pulley Assembly
ns	11.7518.088.000	EX1 CHAINGAP ADJUSTMENT GAGE



NOTE: XX rear derailleur is compatible with 10 speed exact actuation cranks and shifters only.

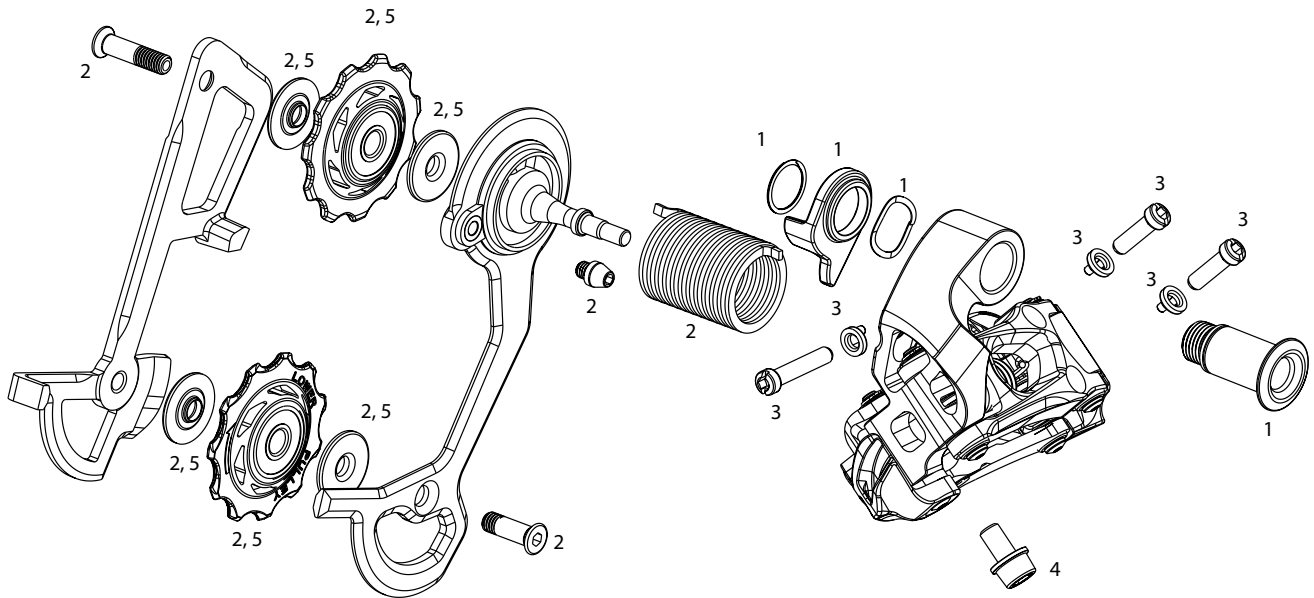
No. Part Number Description

- 1 11.7515.037.010XX Rear Derailleur B-Bolt Kit
- 2 11.7515.040.010XX Rear Derailleur B-Screw/Limit Screw Kit
- 3 11.7515.041.010XX Rear Derailleur Cage Screw Kit
- 4 11.7515.042.010XX Rear Derailleur Cable Anchor Bolt Kit
- 5 11.7515.043.000XX Rear Derailleur Cage Assembly, Long
- 6 11.7515.044.000XX Rear Derailleur Outer Cage and Cage Pin Long
- 6 11.7515.044.010XX Rear Derailleur Outer Cage and Cage Pin Medium
- 7 11.7515.043.010XX Rear Derailleur Cage Assembly, Medium



No. Part Number Description

1	11.7518.010.000	X0 TYPE2 Rear Derailleur Cage Kit Long (Inner Cage & Pulleys, Outer Cage Not Replaceable)
1	11.7518.010.001	X0 TYPE2 Rear Derailleur Cage Kit Medium (Inner Cage & Pulleys, Outer Cage Not Replaceable)
1	11.7518.010.002	X0 TYPE2 Rear Derailleur Cage Kit Short (Inner Cage & Pulleys, Outer Cage Not Replaceable)
2	11.7518.011.000	X9 TYPE2 Rear Derailleur Cage Kit Long (Inner Cage & Pulleys, Outer Cage Not Replaceable)
2	11.7518.011.001	X9 TYPE2 Rear Derailleur Cage Kit Medium (Inner Cage & Pulleys, Outer Cage Not Replaceable)
2	11.7518.027.000	X7 TYPE2 Rear Derailleur Cage Kit Long (Inner Cage & Pulleys, Outer Cage Not Replaceable)
2	11.7518.011.002	X9 TYPE2 Rear Derailleur Cage Kit Short (Inner Cage & Pulleys, Outer Cage Not Replaceable)
3	11.7518.012.000	XX1/X01/DH/X0/CX1/X1/X9/X7 Type 2/2.1 Cage Lock with Spring Qty 1
4	11.7515.026.000	X0 Type 2 / 06-11 X0 Rear Derailleur 10 Speed Cable Anchor Bolt/Washer, Qty 1
4	11.7515.058.000	X9 Type 2 / 11 X9 Rear Derailleur 10 Speed Cable Anchor Bolt/ Washer Kit QTY1
5	11.7515.047.000	X0 Type 2 / 11 X0 Rear Derailleur 10 Speed B Screw / Limit Screw Kit
5	11.7515.055.000	X9 Type 2 / 11 X9 Rear Derailleur 10 Speed B Screw / Limit Screw Kit
6	11.7515.049.000	X0/X9 Type 2 / 11 X0/X9 Rear Derailleur 10 Speed Hanger BoltKit
7	11.7518.018.000	X0 Type2 Rear Derailleur Pulley Kit Qty2
8	11.7518.018.001	X9/X7 Type2 Rear Derailleur Pulley Kit Qty2

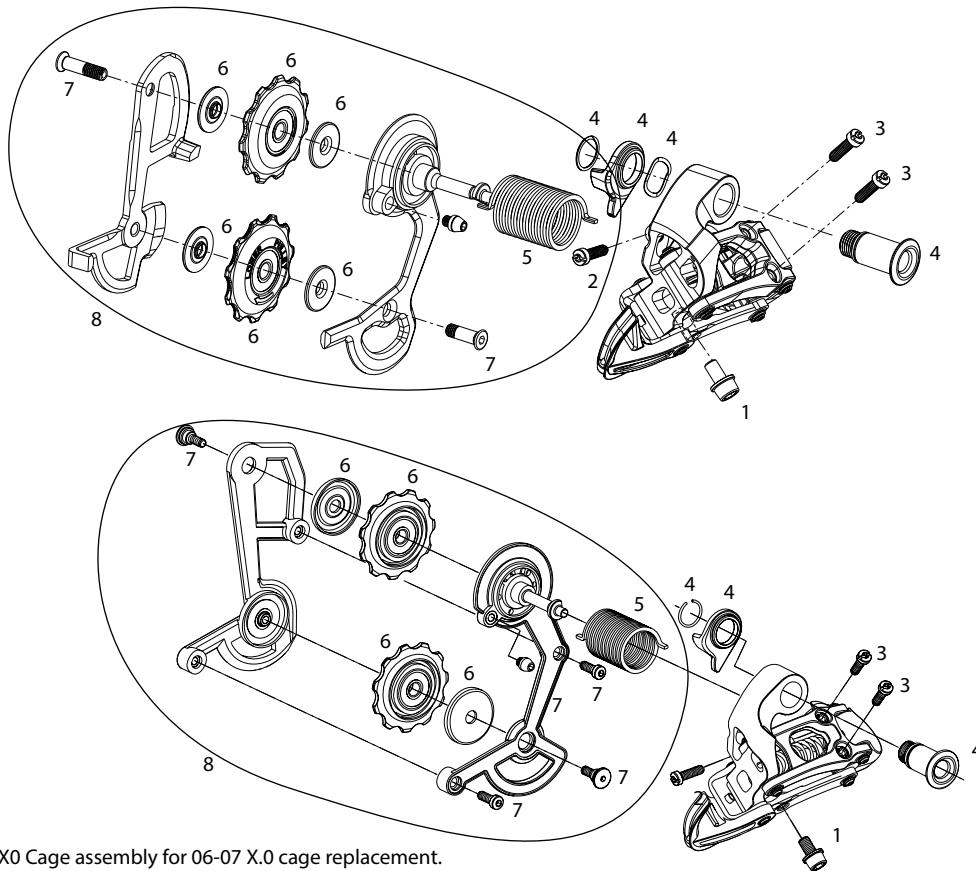


NOTE: X0, X9 and X7 rear derailleurs are compatible with 10 speed exact actuation cranks and shifters only.

No. Part Number Description

1	11.7515.062.000	12 Rear Derailleur X0 Silver 10 Speed Hanger Bolt Kit
1	11.7515.049.000	X0/X9 Type 2 / 11 X0/X9 Rear Derailleur 10 Speed Hanger BoltKit
1	11.7515.052.000	Rear Derailleur X7/Type2 10 Speed Hanger Bolt Kit
2	11.7515.048.120	12 Rear Derailleur X0 10 Speed Long Cage Assembly Silver
2	11.7515.048.000	11 Rear Derailleur X0 10 Speed Long Cage Assembly Black
2	11.7515.048.010	11 Rear Derailleur X0 10 Speed Long Cage Assembly Red
2	11.7515.048.130	12 Rear Derailleur X0 10 Speed Medium Cage Assembly Silver
2	11.7515.048.040	11 Rear Derailleur X0 10 Speed Medium Cage Assembly Black
2	11.7515.048.050	11 Rear Derailleur X0 10 Speed Medium Cage Assembly Red
2	11.7515.048.140	12 Rear Derailleur X0 10 Speed Short Cage Assembly Silver
2	11.7515.048.080	11 Rear Derailleur X0 10 Speed Short Cage Assembly Black
2	11.7515.048.090	11 Rear Derailleur X0 10 Speed Short Cage Assembly Red
2	11.7515.064.000	12 Rear Derailleur X0DH 10 Speed Short Cage Assembly Red
2	11.7515.064.010	12 Rear Derailleur X0DH 10 Speed Short Cage Assembly Silver
2	11.7515.056.020	11 Rear Derailleur X9 10 Speed Long Cage Assembly White
2	11.7515.056.030	11 Rear Derailleur X9 10 Speed Medium Cage Assembly Grey
2	11.7515.056.050	11 Rear Derailleur X9 10 Speed Medium Cage Assembly White
2	11.7515.056.060	11 Rear Derailleur X9 10 Speed Short Cage Assembly Grey
2	11.7515.051.000	11 Rear Derailleur X7 10 Speed Long Cage Assembly
2	11.7515.051.010	11 Rear Derailleur X7 10 Speed Medium Cage Assembly
2	11.7515.051.020	11 Rear Derailleur X7 10 Speed Short Cage Assembly
3	11.7515.063.000	12 Rear Derailleur X0 Silver B Screw / Limit Screw Kit
3	11.7515.047.000	X0 Type 2 / 11 X0 Rear Derailleur 10 Speed B Screw / Limit Screw Kit
3	11.7515.055.000	X9 Type 2 / 11 X9 Rear Derailleur 10 Speed B Screw / Limit Screw Kit
3	11.7515.050.000	Rear Derailleur X7/X7 Type2 10 Speed B Screw / Limit Screw Kit
4	11.7515.058.000	X9 Type 2 / 11 X9 Rear Derailleur 10 Speed Cable Anchor Bolt/ Washer Kit QTY1
4	11.7515.053.000	Rear Derailleur X7 Cable Anchor Bolt / Washer Kit
5	00.7915.016.010	BlackBox Ceramic Bearing Pulleys MTN
5	11.7515.022.000	08-11 X0 Rear Derailleur Pulley Kit Qty 2
5	11.7515.038.000	10-11 X9 X7 Rear Derailleur Pulley Kit

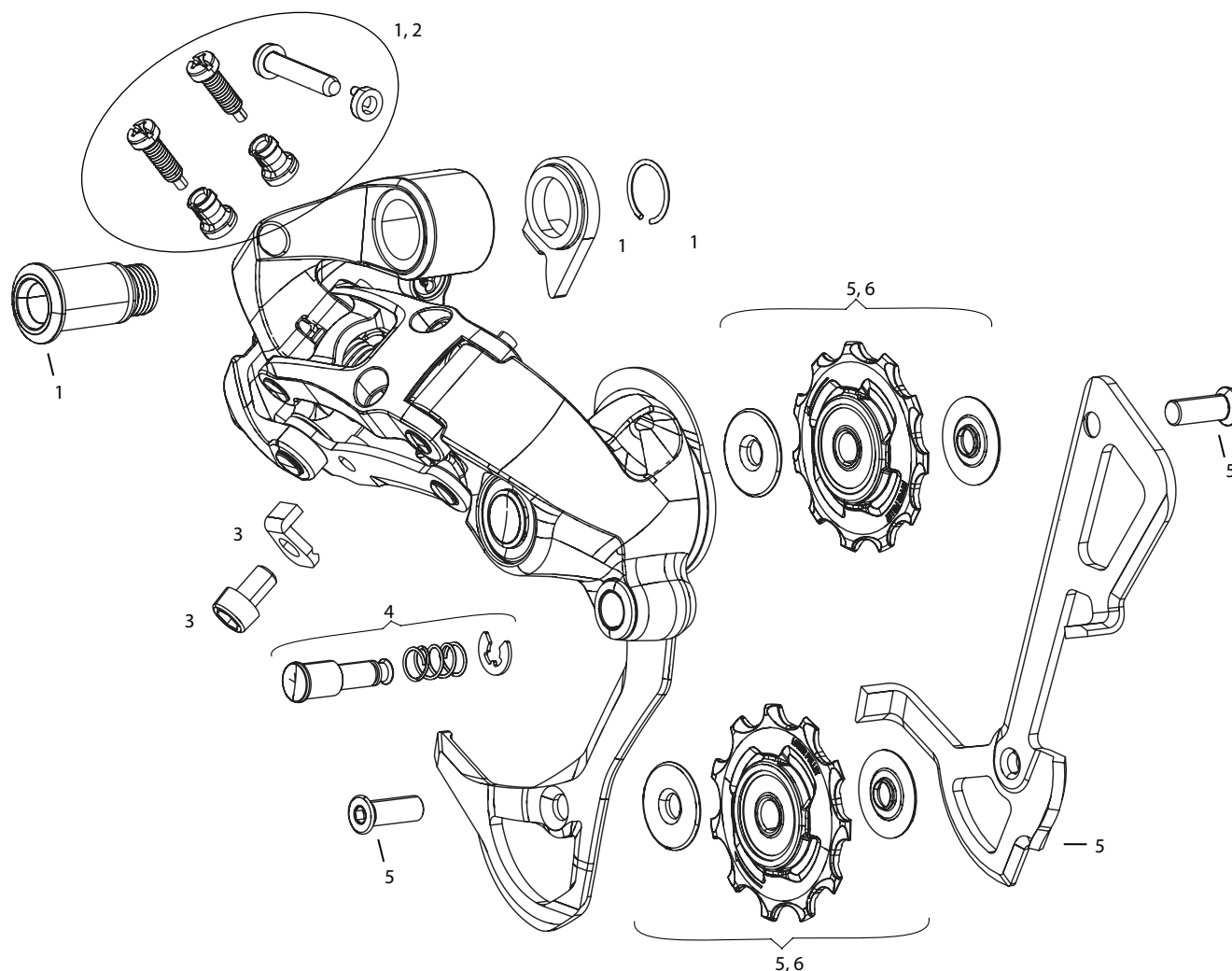




8) Use current X0 Cage assembly for 06-07 X.0 cage replacement.

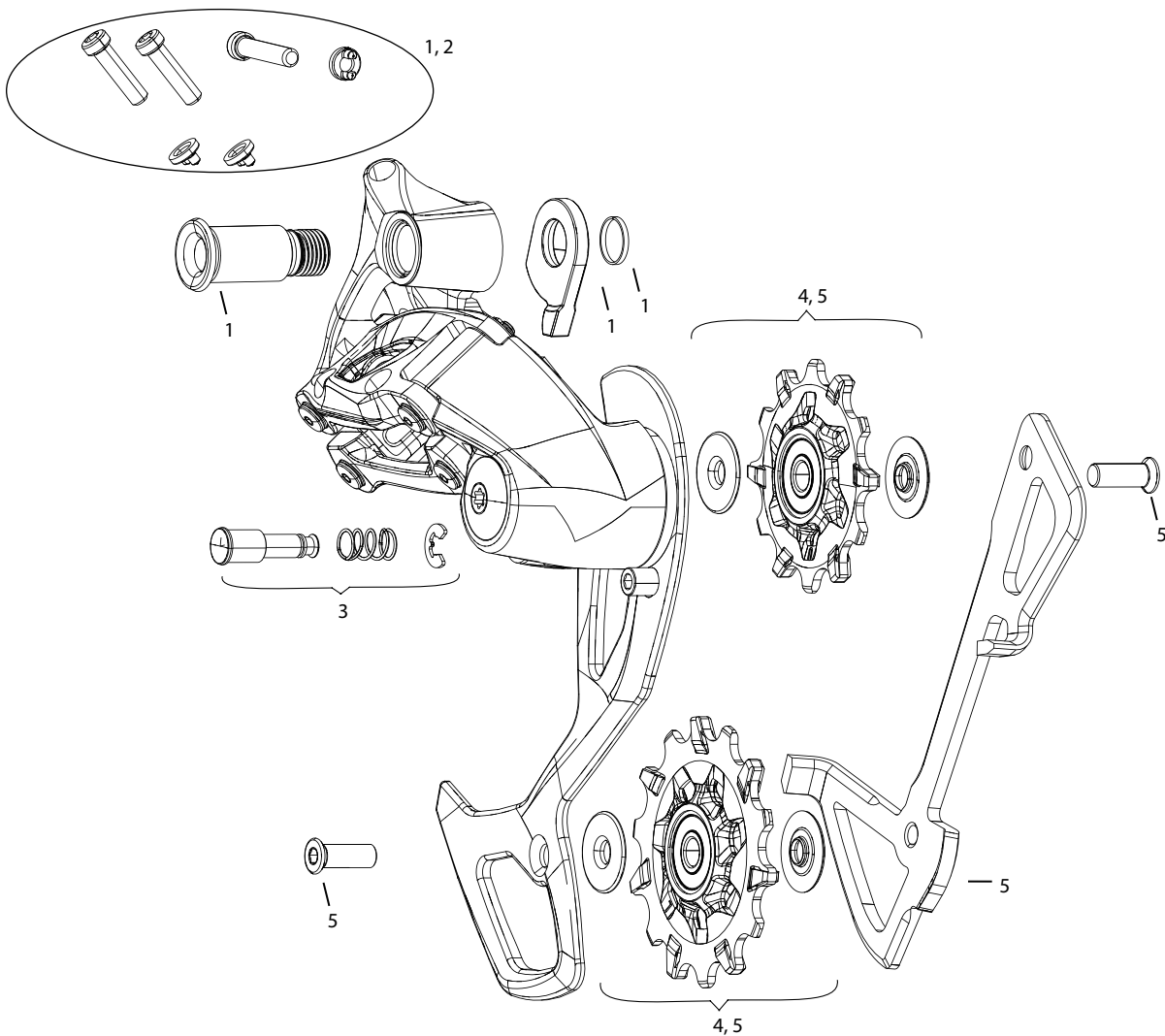
No. Part Number Description

- 1 11.7518.006.000Via GT Rear Derailleur Barrel Adjuster Kit
- 2 11.7515.027.00006-09 X0 Rear Derailleur B-Adjust Screw, Qty 1
- 3 11.7515.028.00006-09 X0 Rear Derailleur Limit Screws, Qty 2
- 4 11.7515.031.00008 X0 Rear Derailleur Hanger Bolt Gold
- 4 00.0000.200.89206-07 X0 Rear Derailleur Hanger Bolt Assy
- 4 11.7515.036.00009 X0 Rear Derailleur Hanger Bolt Silver
- 4 11.7515.036.010Select X0 Rear Derailleur B-Bolt Kit Red
- 5 11.7515.032.00006-09 X0 Rear Derailleur Torsion Spring
- 6 00.0000.200.73305-07 X0, 07-09 X9 Short Cage, 08-09 X7 Short Cage Rear Derailleur Pulley Assy
- 7 11.7515.022.00008-11 X0 Rear Derailleur Pulley Kit Qty 2
- 8 11.7515.023.000X0 Rear Derailleur Cage Assy, Carbon, Short (Forged Inner Cage)
- 8 11.7515.023.010X0 Rear Derailleur Cage Assy, Carbon, Medium (Forged Inner Cage)
- 8 11.7515.023.020X0 Rear Derailleur Cage Assy, Carbon, Long (Forged Inner Cage)
- 8 11.7515.034.000Rear Derailleur Limit Screw Plugs Qty 10 (Red, Force, Rival,X-0)



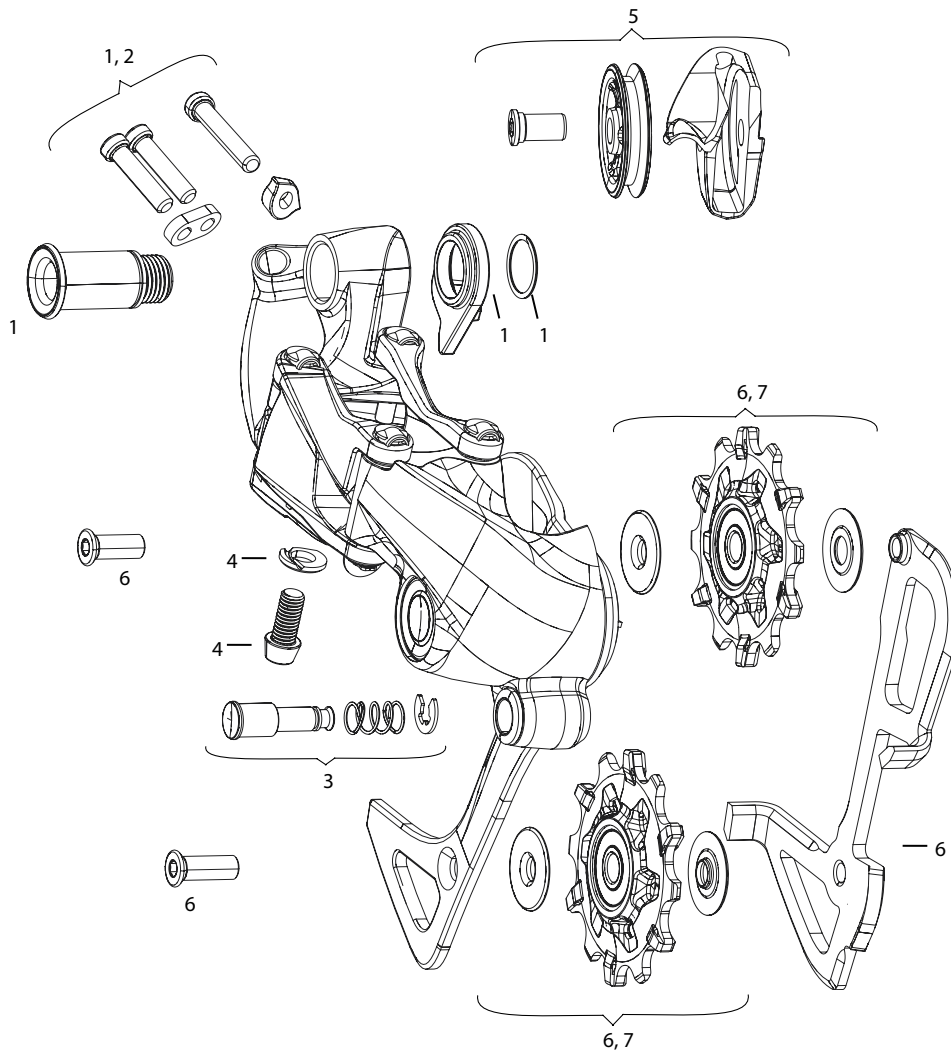
No. Part Number Description

1	11.7518.042.000	Rear Derailleur GX 2X10 B Bolt and Screw Kit
2	11.7518.043.000	Rear Derailleur GX 2X10 B adjust and Limit Screw Kit
3	11.7518.044.000	Rear Derailleur GX 2X10 Cable Anchor Bolt and Washer Kit
4	11.7518.045.000	Rear Derailleur Clutch Cage Lock with Spring Qty 1
5	11.7518.046.000	Rear Derailleur GX 2X10 Type 2.1 Cage and Pulley Kit Long
5	11.7518.047.000	Rear Derailleur GX 2X10 Type 2.1 Cage and Pulley Kit Medium
5	11.7518.048.000	Rear Derailleur GX 2X10 Type 2.1 Cage and Pulley Kit Short
6	11.7518.018.001	X9/X7/GX Type2 Rear Derailleur Pulley Kit Qty2



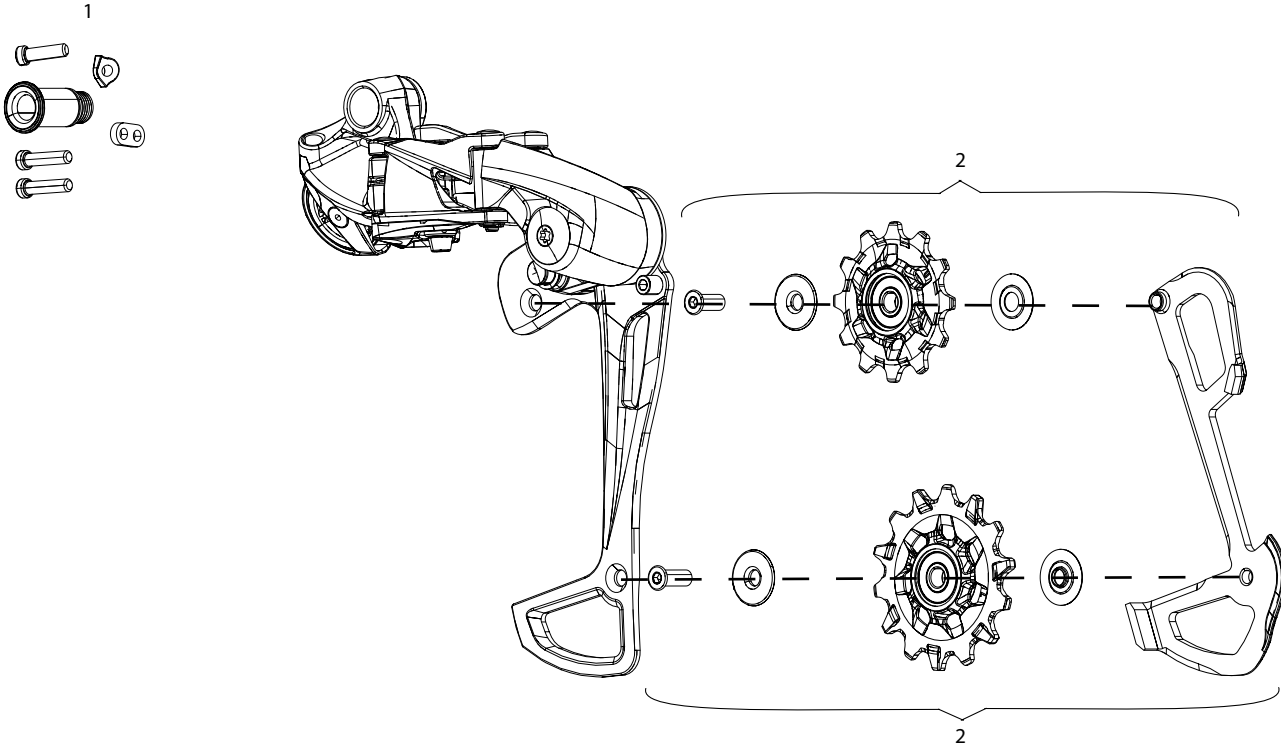
No. Part Number Description

- 1 11.7518.049.000Rear Derailleur GX 2X11 B Bolt and Limit Screw Kit
- 2 11.7518.050.000Rear Derailleur GX 2X11 B Adjust and Limit Screw Kit
- 3 11.7518.045.000Rear Derailleur Clutch Cage Lock with Spring Qty 1
- 4 11.7518.051.000Rear Derailleur GX 2X11 Pulley kit
- 5 11.7518.052.000Rear Derailleur GX 2X11 Type 2.1 Cage Kit Long
- 5 11.7518.053.000Rear Derailleur GX 2X11 Type 2.1 Cage Kit Medium
- ns 11.7518.054.000Rear Derailleur GX 2X11 Cable Anchor Bolt Kit

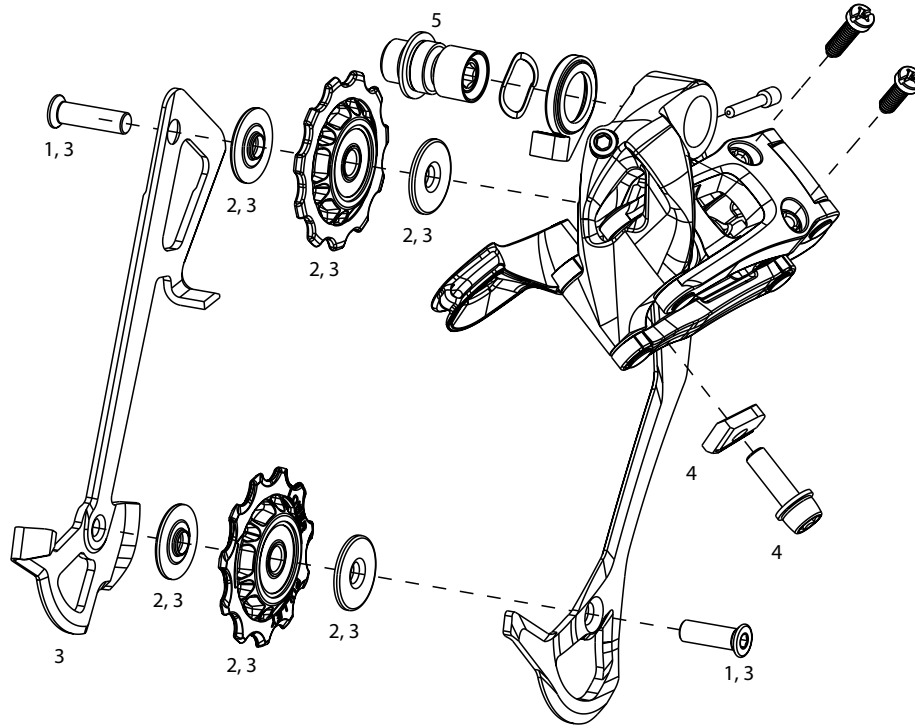


No. Part Number Description

- 1 11.7518.055.000Rear Derailleur GX 1X11 B Bolt and Limit Screw Kit
- 1 11.7518.068.000GX DH/X01DH 7 Speed Rear Derailleur B-Bolt and Limit Screw Kit Hex5
- 2 11.7518.056.000Rear Derailleur GX 1X11 B Adjust and Limit Screw Kit
- 2 11.7518.069.000Rear Derailleur GX DH 7 Speed B Adjust and Limit Screw Kit
- 3 11.7518.045.000Rear Derailleur Clutch Cage Lock with Spring Qty 1
- 4 11.7518.057.000Rear Derailleur GX 1X11 Cable Anchor Bolt Kit
- 5 11.7518.058.000Rear Derailleur GX 1X11 Cable Pulleyand Guide Kit
- 6 11.7518.059.000Rear Derailleur GX 1X11/Force1/Rival1 Type 2.1 Cage and Pulley Kit Long Cage
- 6 11.7518.071.000Rear Dearilleur GX DH 7 Speed Cage and Pulley Kit
- 7 11.7518.032.000RD X01/X01DH/X1/CX1 X-Sync Pulley Assembly
- 7 11.7518.070.000Rear Derailleur GX DH 7 Speed Pulley Kit



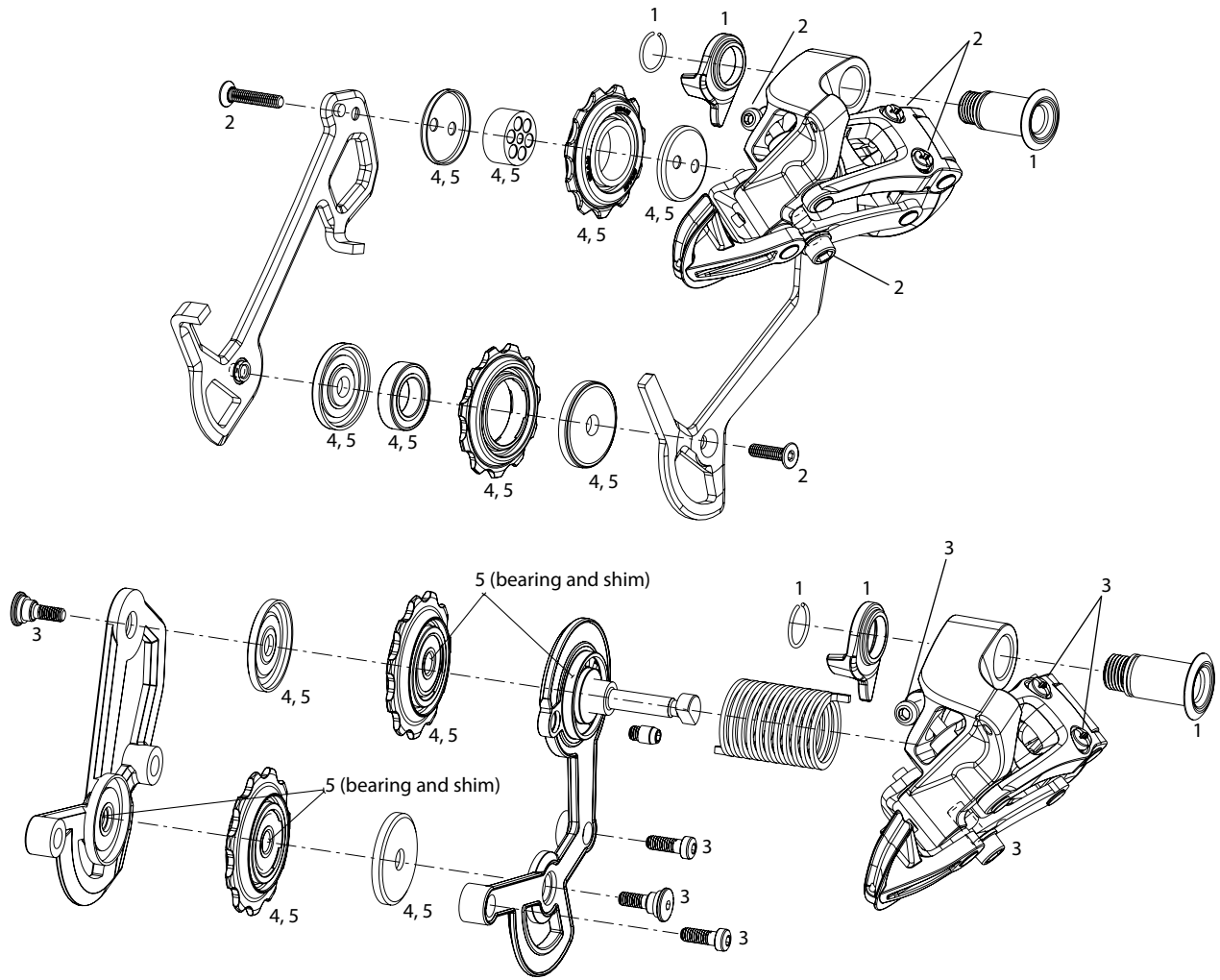
No.	Part Number	Description
1	11.7518.086.000	GX Eagle Rear Derailleur B-Bolt and Limit Screw Kit Hex5
2	11.7518.087.000	GX Eagle Rear Derailleur X-Sync Pulleys and Inner Cage
ns	11.7518.082.000	Rear Derailleur XX1/X01/GX Eagle Chaingap Adjustment Gage



NOTE: X9 outer cage is NOT replaceable.

No. Part Number Description

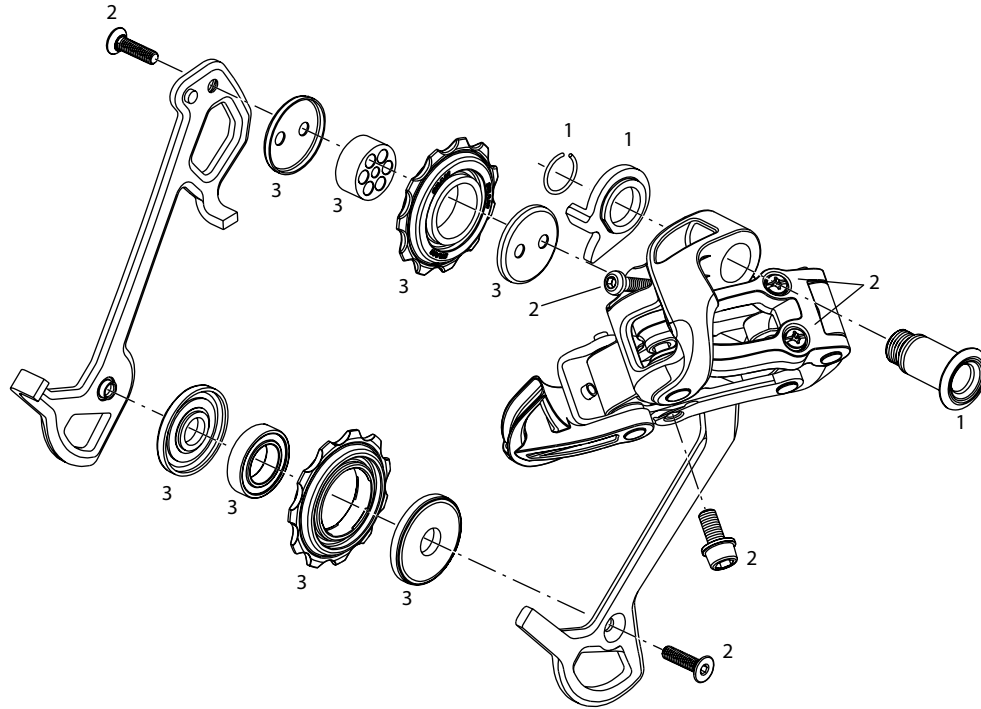
- 1 11.7515.041.000 2010 X9 X7 Rear Derailleur Cage Screw Kit
- 2 11.7515.038.000 10-11 X9 X7 Rear Derailleur Pulley Kit
- 3 11.7515.039.000 2010 X9 Rear Derailleur Cage Kit Long (Inner Cage & Pulleys, Outer Cage Not Replaceable)
- 3 11.7515.039.010 2010 X9 Rear Derailleur Cage Kit Medium (Inner Cage & Pulleys, Outer Cage Not Replaceable)
- 4 11.7515.042.000 2010 X9 Rear Derailleur Cable Anchor Bolt Kit
- 5 11.7515.037.000 2010 X9 X7 Rear Derailleur B-Bolt Kit



NOTE: X9 outer cage is NOT replaceable.

No. Part Number Description

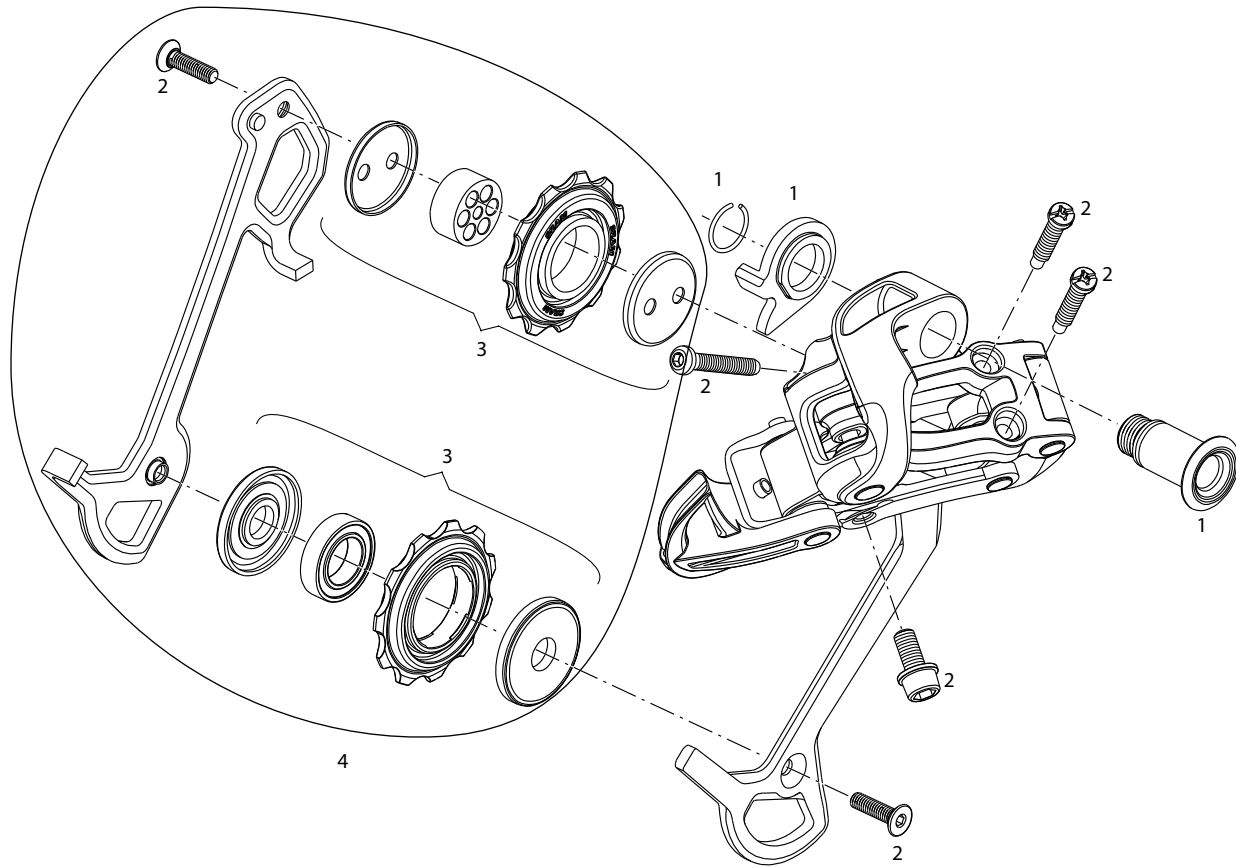
- 1 11.7515.009.00007-09 X9 Rear Derailleur Hanger Bolt
- 2 00.0000.200.89905-09 X9 Rear Derailleur Screw/Bolt Kit
- 3 11.7515.010.00007-09 X9 Rear Derailleur Composite Cage Screw/Bolt Kit
- 4 00.0000.200.61505-09 X9 Rear Derailleur Pulley Kit (M/L Cage)
- 5 00.0000.200.73305-07 X0, 07-09 X9 Short Cage, 08-09 X7 Short Cage Rear Derailleur Pulley Assy



No. Part Number Description

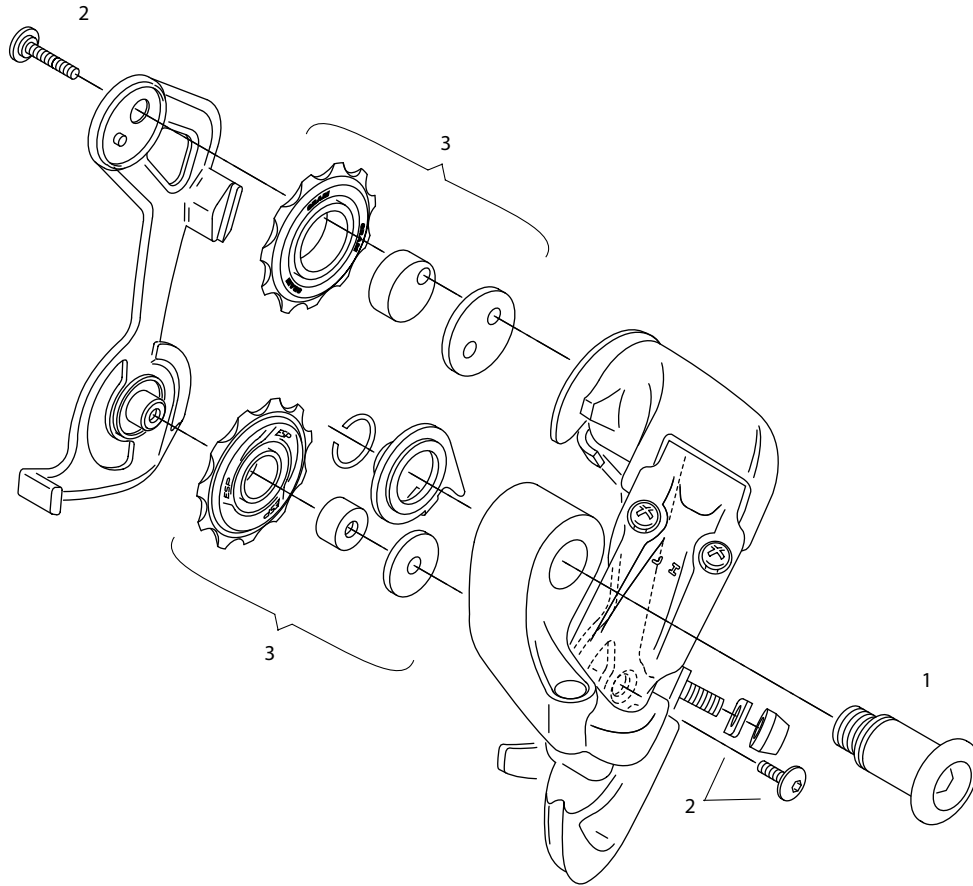
- 1 00.0000.200.71504-05 X7/X9/Dual Drive27/9/7/5 Rear Derailleur Hanger Bolt
- 1 00.0000.200.89806-09 X7/X9/Dual Drive27 Rear Derailleur Hanger Bolt
- 2 00.0000.200.89905-09 X9 Rear Derailleur Screw/Bolt Kit
- 2 00.0000.200.90006-09 X7/Dual Drive27, 04-05 X7/X9/Dual Drive27/9/7/5 Rear Derailleur Screw/Bolt Kit
- 3 00.0000.200.61505-09 X9 Rear Derailleur Pulley Kit (M/L Cage)
- 3 00.0000.200.61804-09 X7/Dual Drive27, SX5, 08-09 X5 Rear Derailleur Pulley Kit Qty 2





No. Part Number Description

- 1 00.0000.200.89806-09 X7/X9/Dual Drive27 Rear Derailleur Hanger Bolt
- 2 00.0000.200.90006-09 X7/Dual Drive27, 04-05 X7/X9/Dual Drive27/9/7/5 Rear Derailleur Screw/Bolt Kit
- 3 00.0000.200.61804-09 X7/Dual Drive27, SX5, 08-09 X5 Rear Derailleur Pulley Kit Qty 2
- 4 00.0000.200.73305-07 X0, 07-09 X9 Short Cage, 08-09 X7 Short Cage Rear Derailleur Pulley Assy

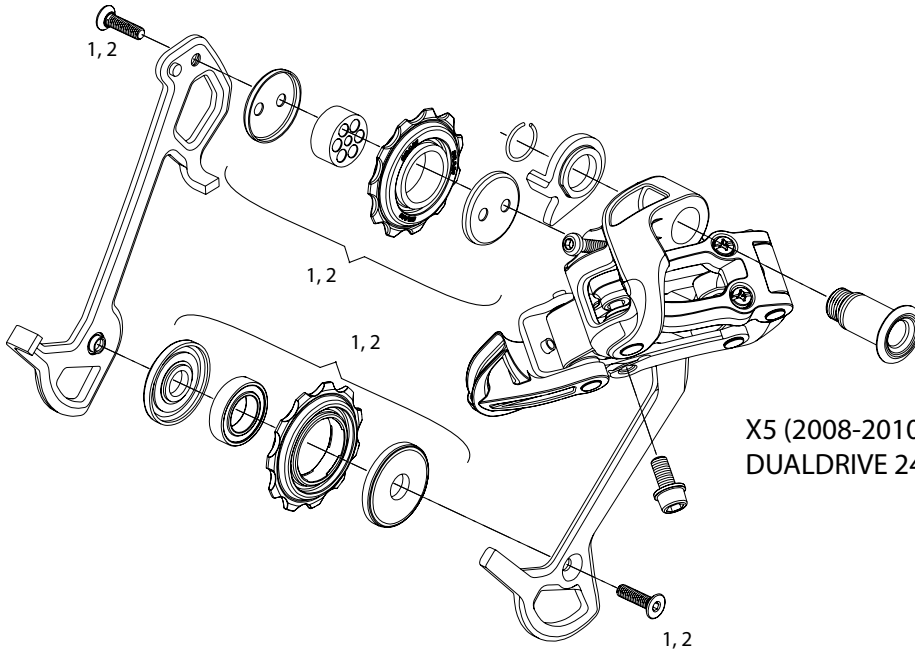


No. Part Number Description

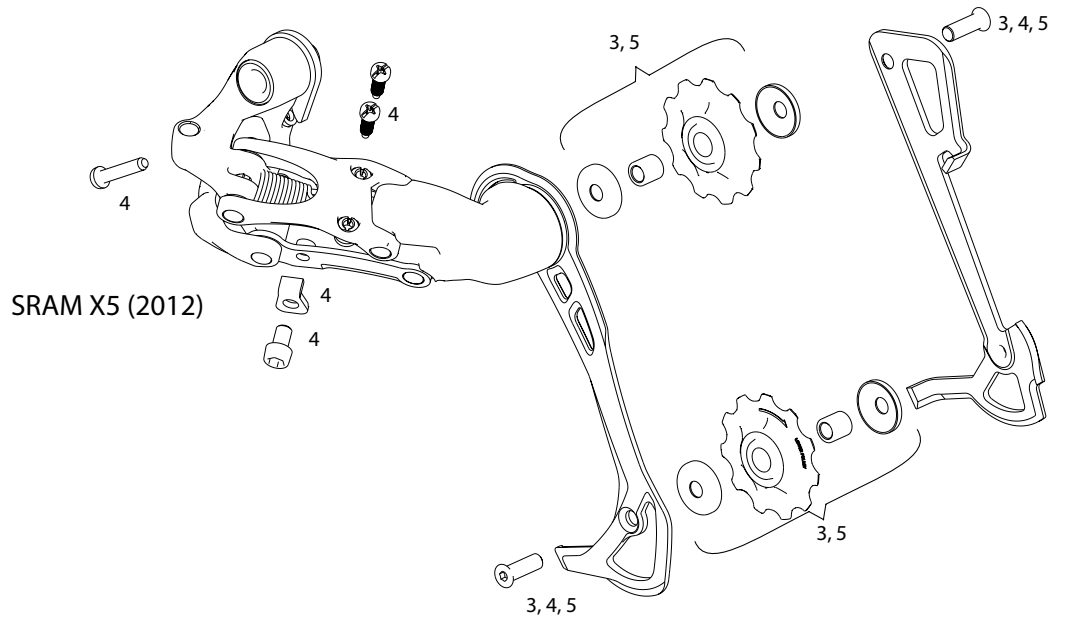
- 1 00.0000.200.71504-05 X7/X9/Dual Drive27/9/7/5 Rear Derailleur Hanger Bolt
- 1 00.0000.200.90006-09 X7/Dual Drive27, 04-05 X7/X9/Dual Drive27/9/7/5 Rear Derailleur Screw/Bolt Kit
- 2 00.0000.200.89905-09 X9 Rear Derailleur Screw/Bolt Kit
- 3 00.0000.200.713(04) X9, 9.0SL / 9.0 Rear Derailleur Pulley Assy
- 3 00.0000.200.61804-09 X7/Dual Drive27, SX5, 08-09 X5 Rear Derailleur Pulley Kit Qty 2
- 3 00.0000.200.61505-09 X9 Rear Derailleur Pulley Kit (M/L Cage)

SRAM X5 (2012) - REAR DERAILLEUR 2x10 / 3x10

X5 (2008-2010) X4/ SX5/ SX4/ DUALDRIVE 24 / DUALDRIVE 21 - REAR DERAILLEUR 3x9



X5 (2008-2010) / X4 / SX5 / SX4  
DUALDRIVE 24 / DUALDRIVE 21

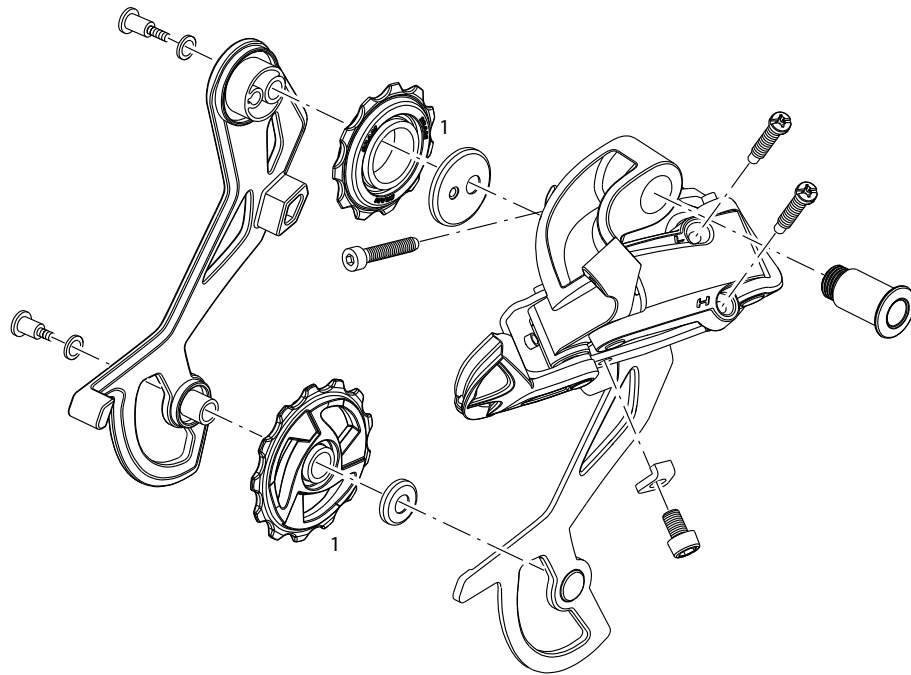


SRAM X5 (2012)

NOTE: X5 outer cage is NOT replaceable.

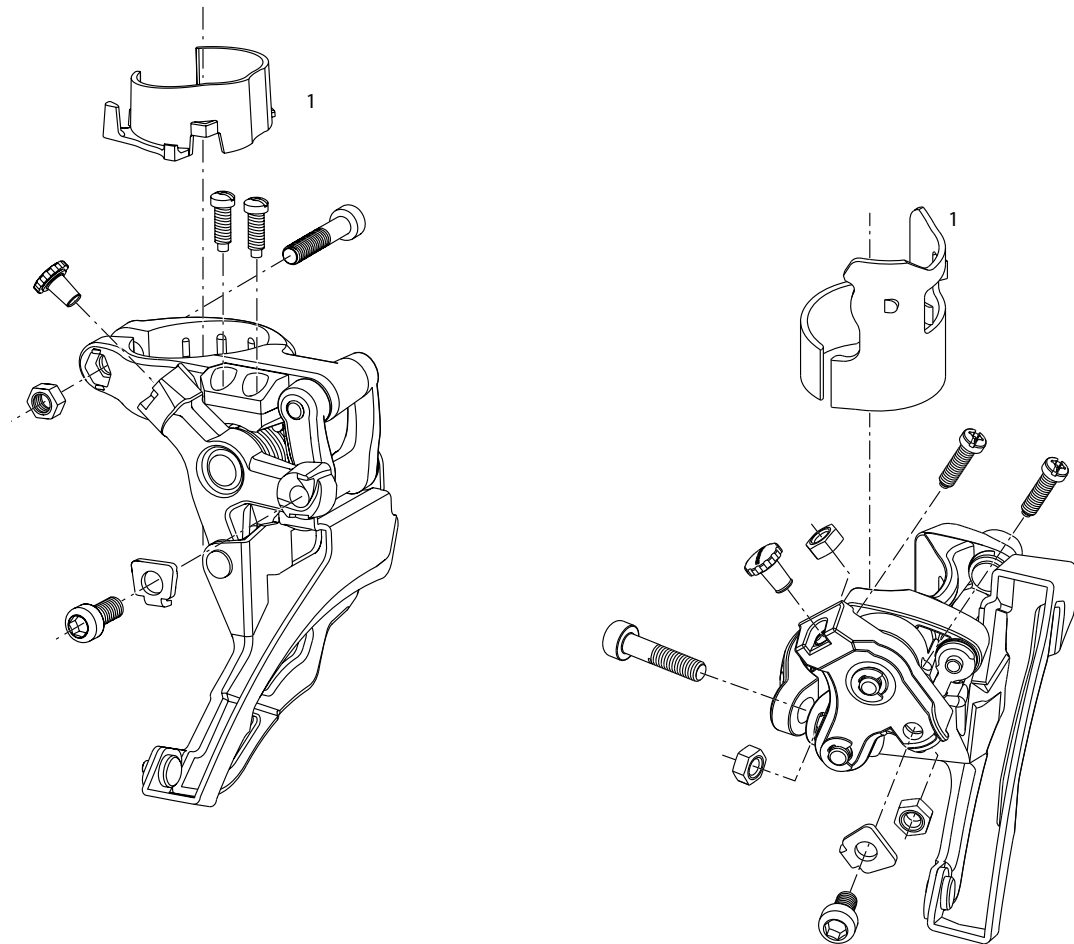
No. Part Number Description

- 1 00.0000.200.912X.4/Sx4 Rear Derailleur Pulley Assy
- 2 00.0000.200.61804-09 X7/Dual Drive27, SX5, 08-09 X5 Rear Derailleur Pulley Kit Qty 2
- 3 11.7515.065.00012 Rear Derailleur X5 10 Speed Hanger Bolt Kit
- 3 11.7515.066.00012 Rear Derailleur X5 10 Speed Medium Cage Assembly (Inner Cage & Pulleys, Outer Cage Not Replaceable)
- 3 11.7515.066.01012 Rear Derailleur X5 10 Speed Long Cage Assembly (Inner Cage & Pulleys, Outer Cage Not Replaceable)
- 4 11.7515.067.00012 Rear Derailleur X5 Screw Kit
- 5 11.7518.019.000X5 Rear Derailleur Pulley Kit Qty2



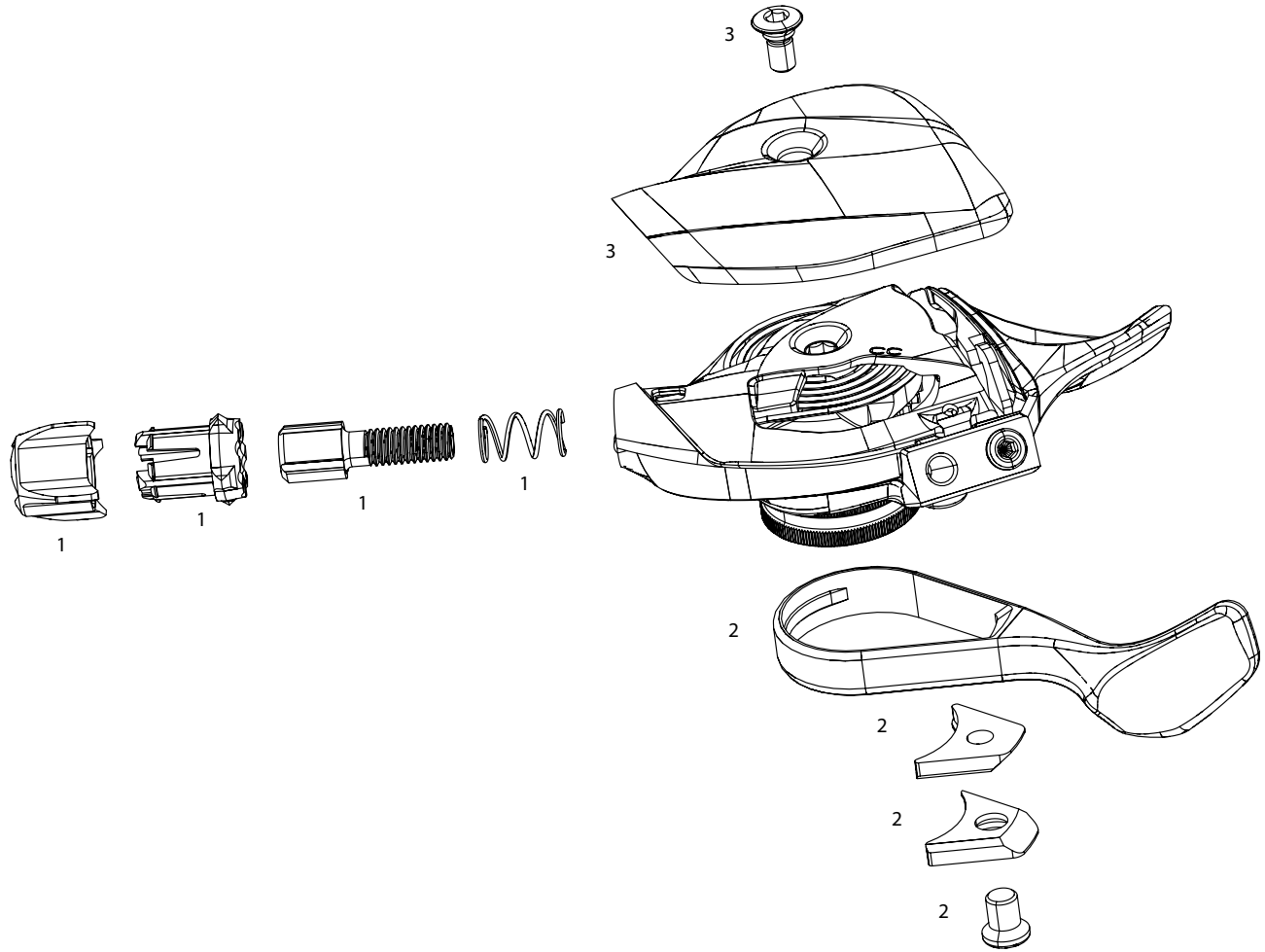
No. Part Number Description

1 00.0000.200.616(04) 5.0 Rear Derailleur Pulley Assy



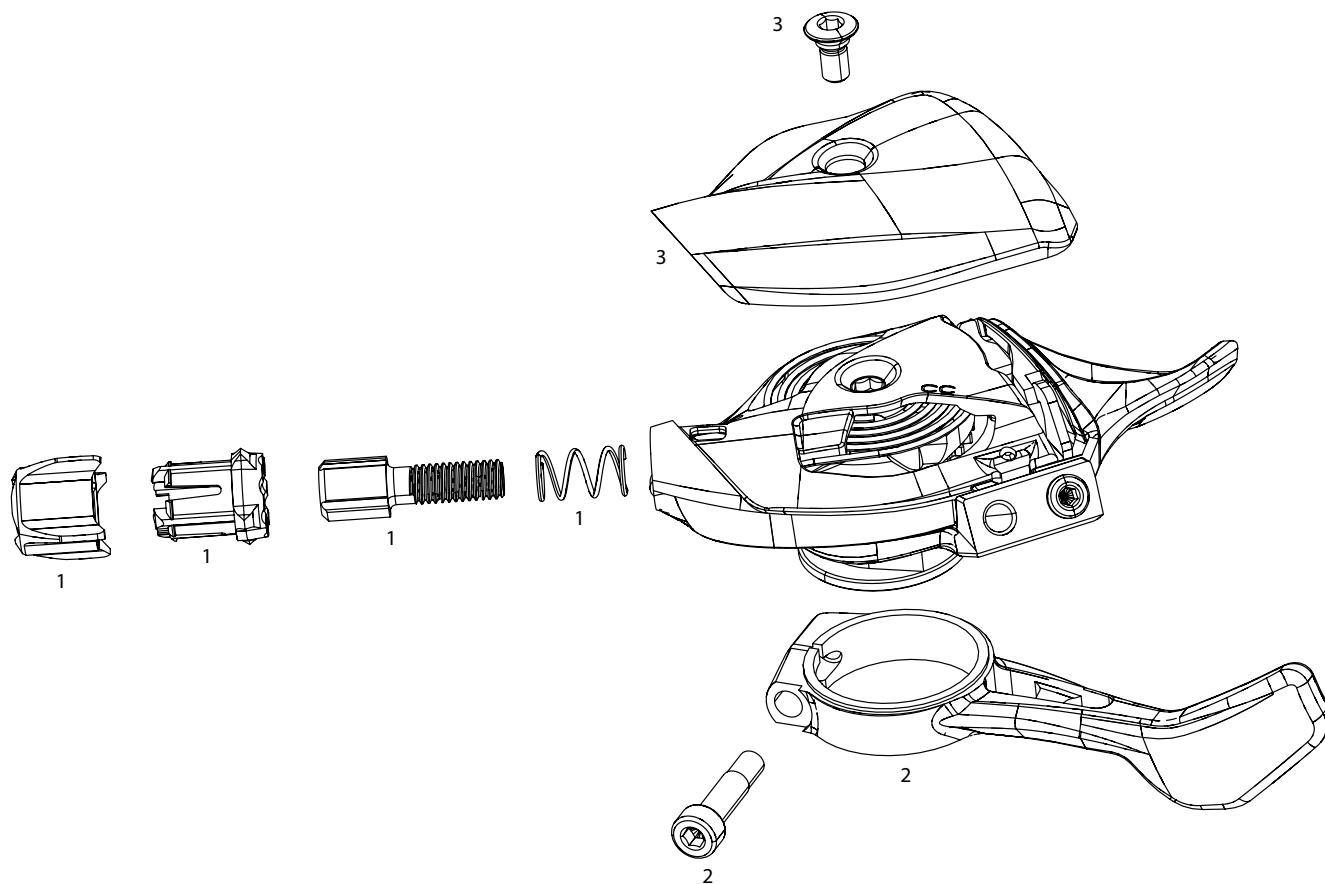
No. Part Number Description

- 1 00.0000.200.114X7 / XGen Front Derailleur Clamp Adaptor 31.8mm
- 1 00.0000.200.115X7 / XGen Front Derailleur Clamp Adaptor 28.6mm



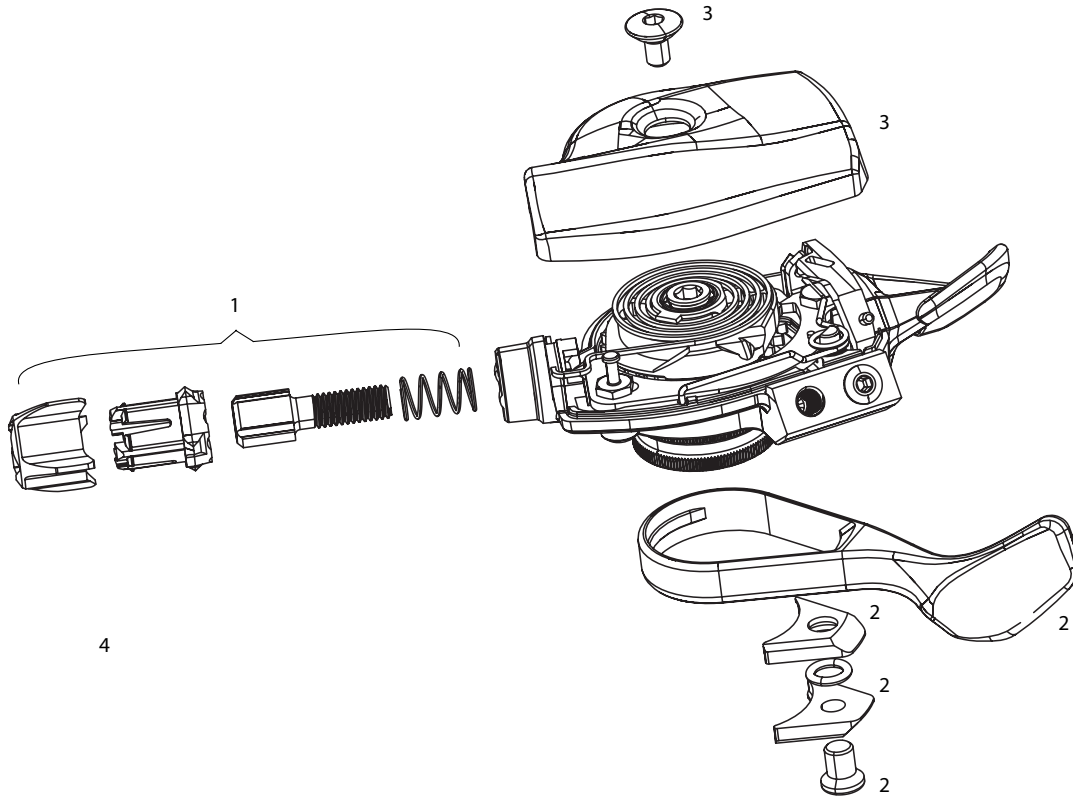
No. Part Number Description

1	11.7018.055.000XX1/X01	Eagle Trigger Barrel Adjuster Kit Gold
1	11.7018.055.010XX1/X01	Eagle Trigger Barrel Adjuster Kit Black
2	11.7018.056.000XX1	Eagle Trigger Pull Lever Kit, Right
3	11.7018.058.000XX1	Eagle Trigger Cover Kit Right Gold
3	11.7018.058.010XX1	Eagle Trigger Cover Kit Right Neutral
ns	11.7018.062.000XX1/X01	Eagle Trigger Clamp and Bolt kit qty 1



No. Part Number Description

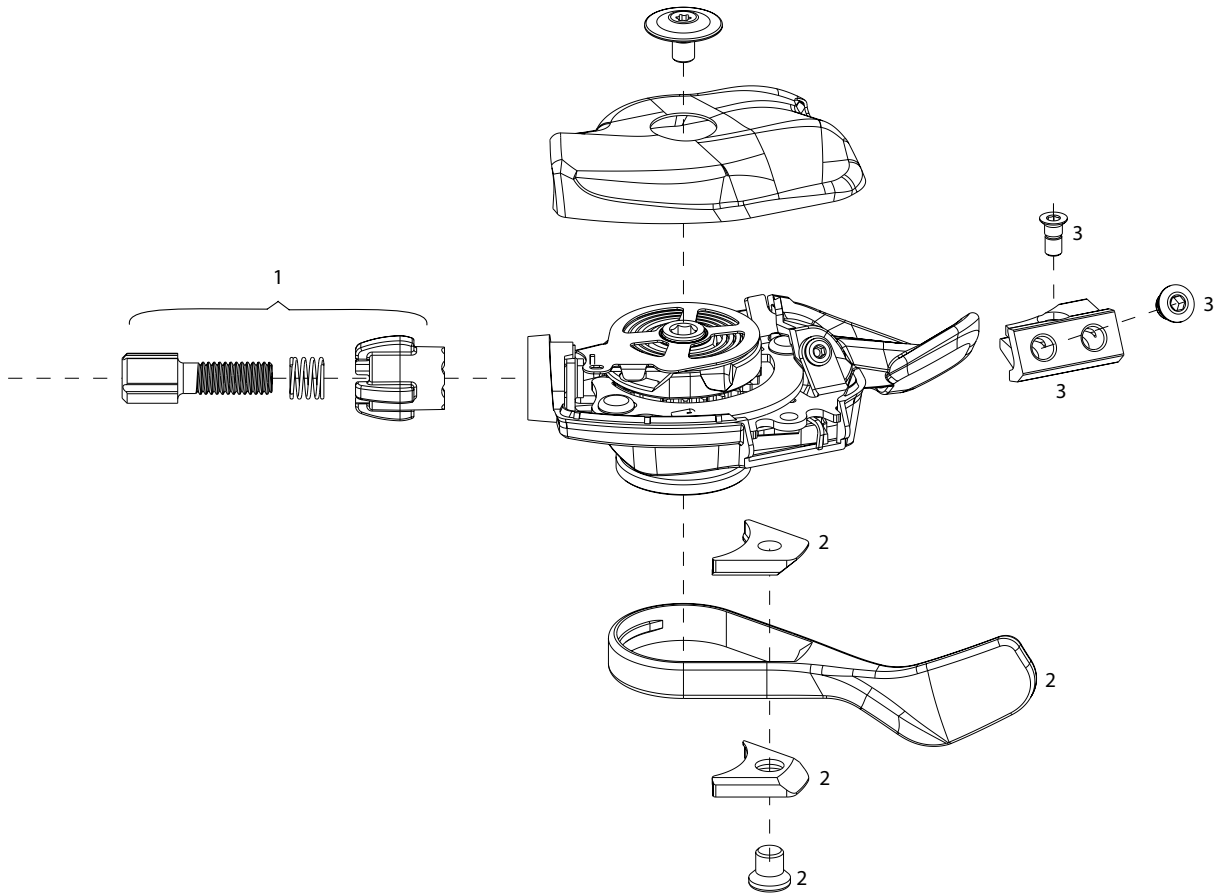
- 1 11.7018.055.000XX1/X01 Eagle Trigger Barrel Adjuster Kit Gold
- 1 11.7018.055.010XX1/X01 Eagle Trigger Barrel Adjuster Kit Black
- 2 11.7018.059.000X01 Eagle Trigger Pull Lever Kit, Right
- 3 11.7018.060.000X01 Eagle Trigger Cover Kit Right Red
- 3 11.7018.060.010X01 Eagle Trigger Cover Kit Right Neutral
- ns 11.7018.062.000XX1/X01 Eagle Trigger Clamp and Bolt kit qty 1



No. Part Number Description

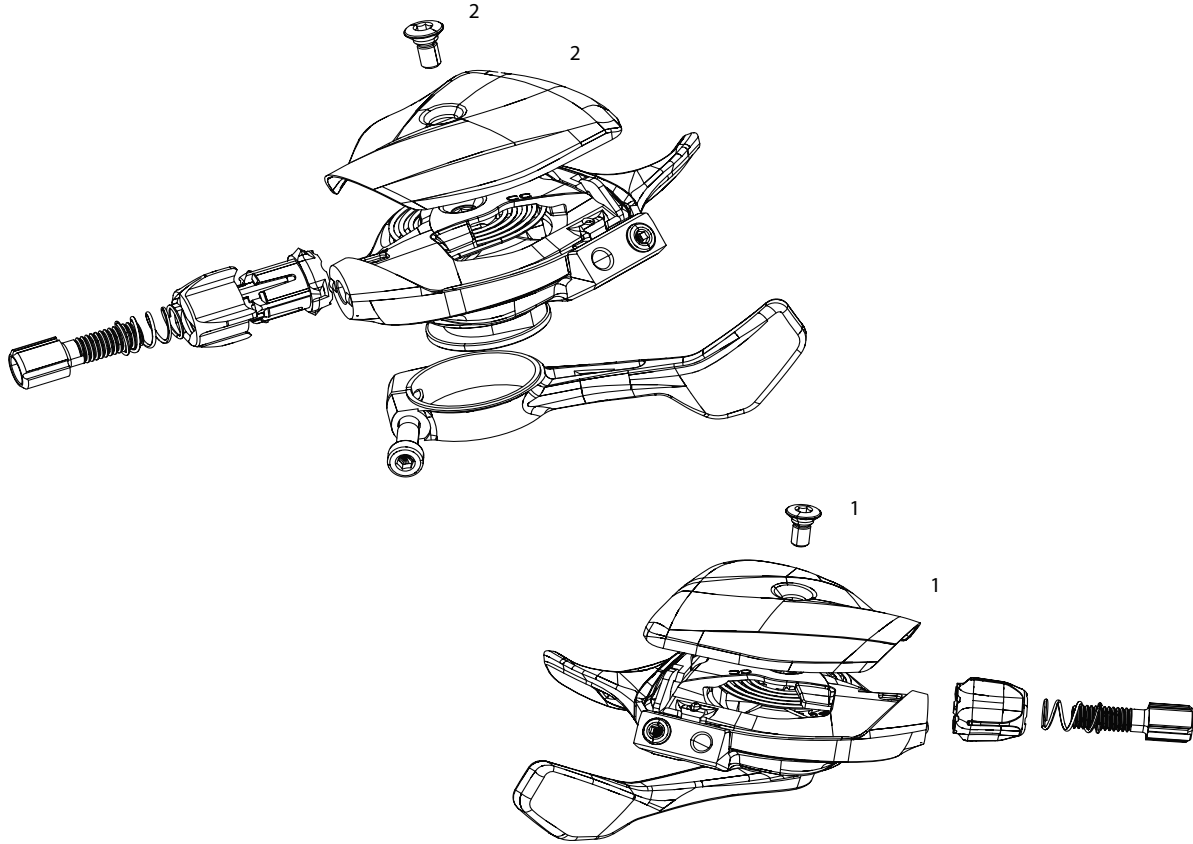
1	11.7018.012.000XX1	Trigger Barrel Adjuster Kit
2	11.7018.013.000XX1	Trigger Pull Lever Kit, Right
2	11.7018.013.001XX1	Trigger Pull Lever Kit Black, Right
2	11.7018.032.000X01	Trigger Pull Lever Kit, Right
3	11.7018.014.000XX1	Trigger Cover Kit, Right
3	11.7018.014.001XX1	Trigger Black Cover Kit, Right
3	11.7018.033.000X01	Trigger Cover Kit Black, Right
3	11.7018.033.001X01	Trigger Cover Kit Red, Right
3	11.7018.035.000X01DH	Trigger Cover Kit Right Black
3	11.7018.035.001X01DH	Trigger Cover Kit Right Red
3	11.7018.041.000X1	Trigger Cover Kit, Right
3	11.7018.064.000	Shifter Cover EX1 8 Speed Rear Trigger Cover Black
4	11.7018.065.000EX1	Trigger Pull Lever, Right





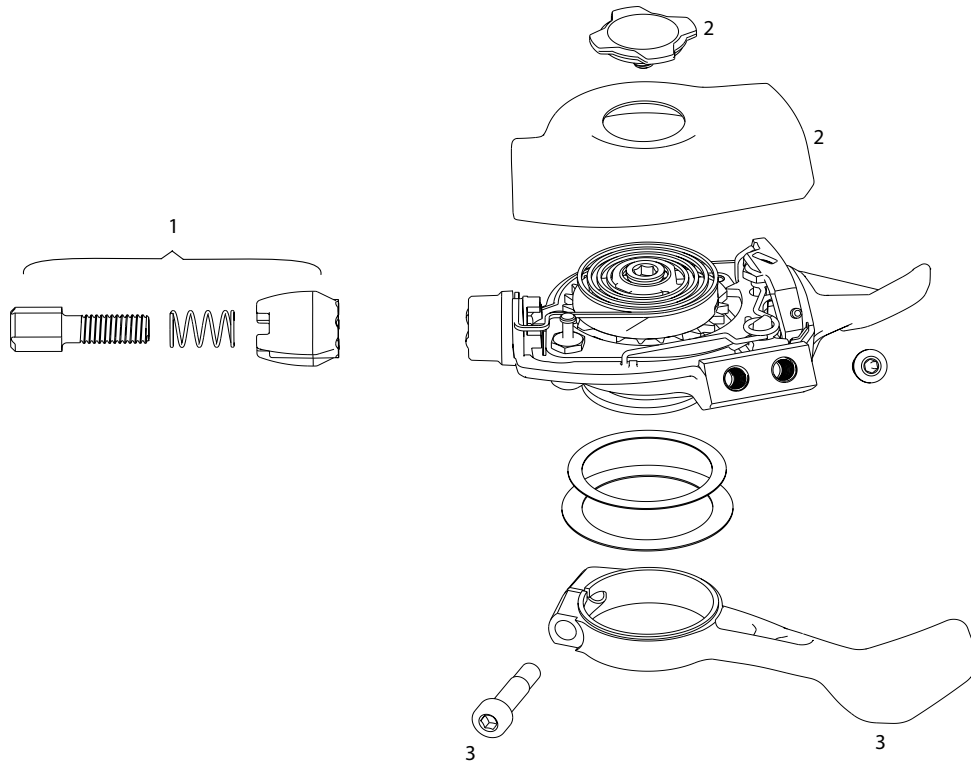
No. Part Number Description

- 1 11.7015.059.000XX Trigger Barrel Adjuster Kit
- 2 11.7015.060.000XX Trigger Pull Lever Kit, Left
- 3 11.7015.062.000XX Trigger Clamp Bracket Kit, Left
- 3 11.7015.062.010XX Trigger Clamp Bracket Kit, Right
- ns 11.7015.074.000XX Trigger Clamp/Bolt Kit qty 1

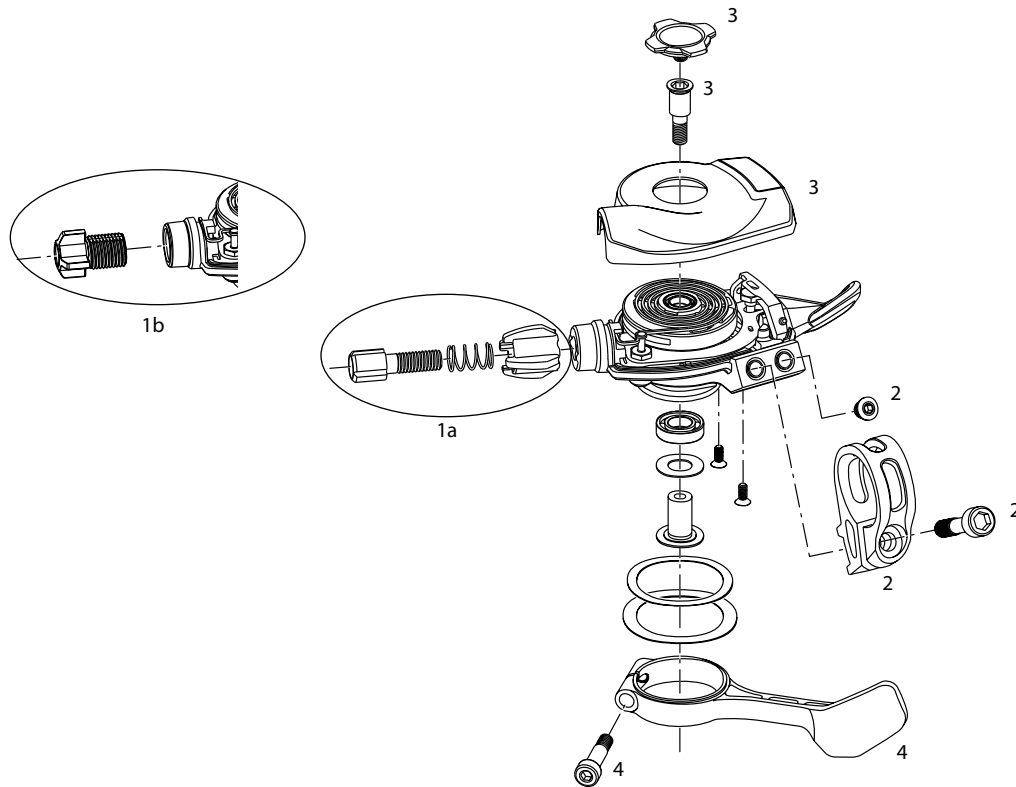


No. Part Number Description

1	11.7018.028.000X0	Trigger Cover Kit Left 2 Speed Red B1
1	11.7018.028.001X0	Trigger Cover Kit Left 3 Speed Red B1
1	11.7018.028.003X0	Trigger Cover Kit Left 2 Speed Black B1
1	11.7018.028.005X0	Trigger Cover Kit Left 2 Speed Silver B1
1	11.7018.028.006X0	Trigger Cover Kit Left 3 Speed Silver B1
1	11.7018.029.000X9	Trigger Cover Kit Left 2 Speed Grey B1
1	11.7018.029.001X9	Trigger Cover Kit Left 3 Speed Grey B1
1	11.7018.030.000X7	Trigger Cover Kit Left 2 Speed Storm Grey B1
1	11.7018.030.001X7	Trigger Cover Kit Left 3 Speed Storm Grey B1
2	11.7018.028.002X0	Trigger Cover Kit Right 10 Speed Red B1
2	11.7018.028.004X0	Trigger Cover Kit Right 10 Speed Black B1
2	11.7018.028.007X0	Trigger Cover Kit Right 10 Speed Silver B1
2	11.7018.029.002X9	Trigger Cover Kit Right 10 Speed Grey B1
2	11.7018.030.002X7	Trigger Cover Kit Right 10 Speed Storm Grey B1
ns	00.0000.200.524X0 / X9 / X7	Gear Indicator Kit, Right, 9Spd

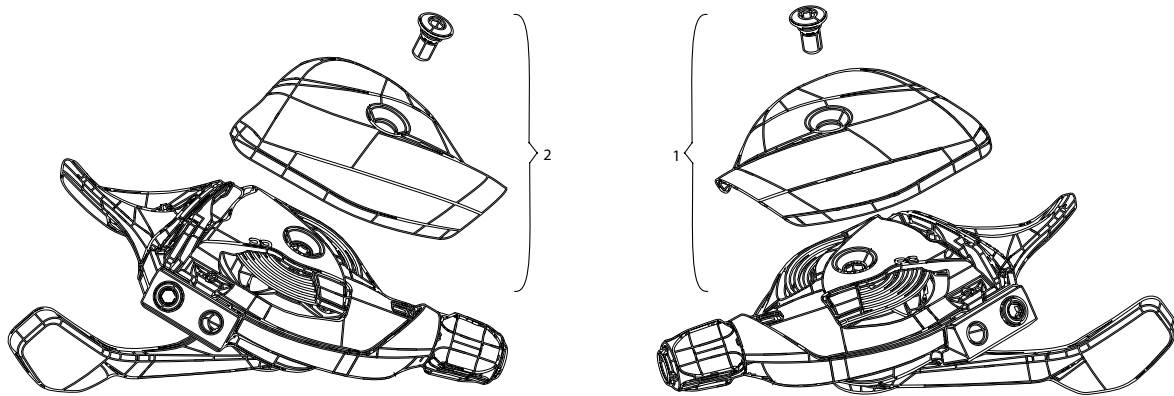


No.	Part Number	Description
1	11.7015.068.00011	Shifter Trigger X0 10 Speed Barrel Adjuster Kit
1	11.7015.056.00011	SL X9 10-11 X7 Barrel Adjuster Qty 2
1	11.7015.068.00011	Shifter Trigger X0 10 Speed Barrel Adjuster Kit
2	11.7015.069.12012	X0 Trigger Cover Kit Right Silver
2	11.7015.069.00011	X0 Trigger Cover Kit Right Red
2	11.7015.069.03011	X0 Trigger Cover Kit Right Black
2	11.7015.069.13012	X0 Trigger Cover Kit Left 3Speed Silver
2	11.7015.069.04011	X0 Trigger Cover Kit Left 3Speed Red
2	11.7015.069.07011	X0 Trigger Cover Kit Left 3Speed Black
2	11.7015.069.14012	X0 Trigger Cover Kit Left 2Speed Silver
2	11.7015.069.08011	X0 Trigger Cover Kit Left 2Speed Red
2	11.7015.069.11011	X0 Trigger Cover Kit Left 2Speed Black
3	11.7015.070.06012	X0 Trigger Pull Lever Kit Right Silver
3	11.7015.070.02011	X0 Trigger Pull Lever Kit Right Black
3	11.7015.070.07012	X0 Trigger Pull Lever Kit Left Silver
3	11.7015.070.05011	X0 Trigger Pull Lever Kit Left Black
3	11.7015.070.00011	X0 Trigger Pull Lever Kit Right Red
3	11.7015.070.030	11 X0 Trigger Pull Lever Kit Left Red
ns	11.7015.033.070	Trigger Clamp/Bolt Kit Shiny Black Qty 1

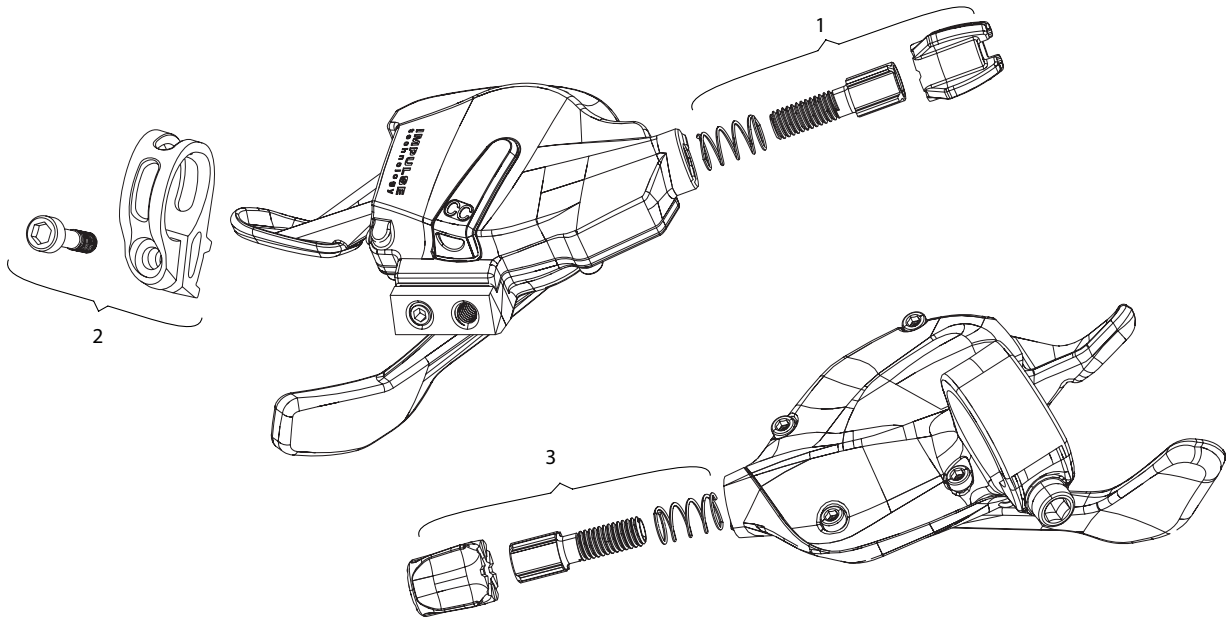


No. Part Number Description

- 1a 11.7015.024.00007-09 X0/X9 Trigger Barrel Adjuster Qty 2 (M6, 3PC)
- 1b 11.7015.025.00006-07 X0 / 07 X9 Trigger Barrel Adj Qty 2 (M10, 2PC)
- 2 11.7015.033.00007-09 X0/X9/X7 Trigger Clamp/Bolt Kit, Qty 1
- 2 11.7015.033.020Select X0 Trigger Clamp Kit Red Qty 1
- 3 00.0000.200.918X0 Trigger Carbon Cover/Top Cap Kit, Right
- 4 00.0000.200.923X0 Trigger Pull Lever, Left
- 4 00.0000.200.924X0 Trigger Pull Lever, Right

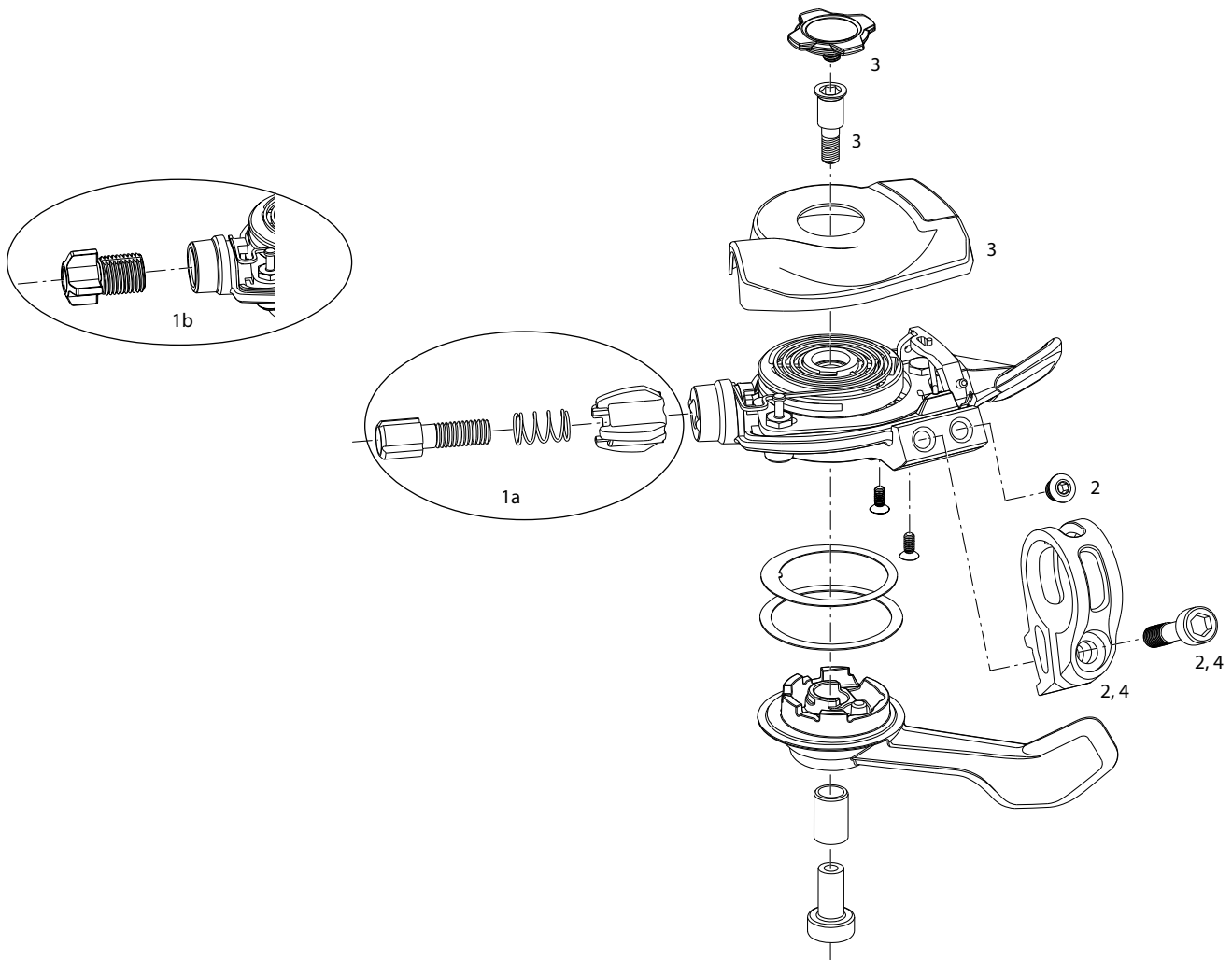


No.	Part Number	Description
1	11.7018.044.000	Shifter Cover GX 10 Speed Rear Trigger Cover Black
1	11.7018.044.001	Shifter Cover GX 11 Speed Rear Trigger Cover Black
1	11.7018.044.002	Shifter Cover GX 11 Speed Rear Trigger Cover Red
2	11.7018.044.003	Shifter Cover GX 2X11 Speed Front Trigger Cover Black
2	11.7018.044.004	Shifter Cover GX 2X11 Speed Front Trigger Cover Red
2	11.7018.044.005	Shifter Cover GX 2X10 Speed Front Trigger Cover Black
2	11.7018.053.000	Shifter Cover GX DH 7 Speed Rear Trigger Cover Black
2	11.7018.071.000	GX Eagle Trigger Cover Kit Right Black



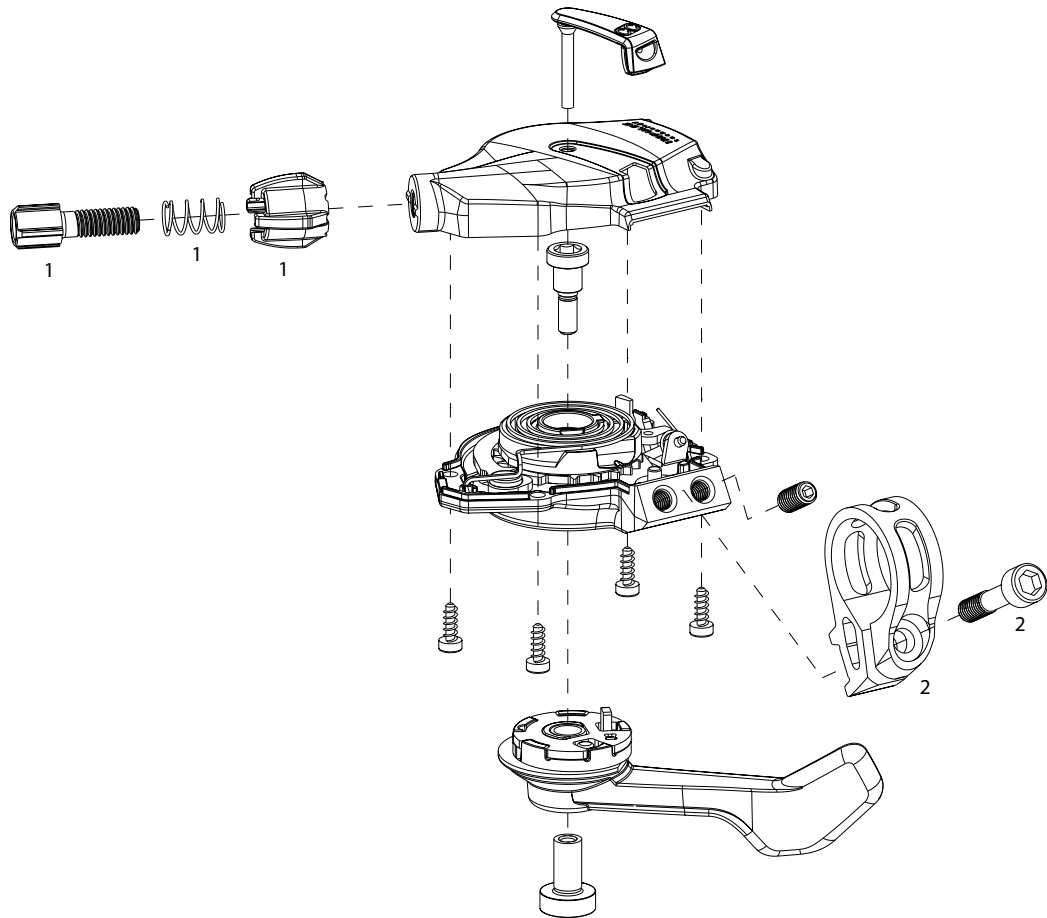
No. Part Number Description

1	11.7015.056.00011	SL X9 10-11 X7 Barrel Adjuster Qty 2
ns	11.7015.033.00007-09	X0/X9/X7 Trigger Clamp/Bolt Kit, Qty 1
2	11.7015.033.070	Trigger Clamp/Bolt Kit Shiny Black Qty 1
3	11.7015.072.00012	X5 Trigger Barrel Adjuster Kit
ns	11.7018.009.000	Via GT Trigger Clamp/Bolt Kit Falcon Grey Qty 1



No. Part Number Description

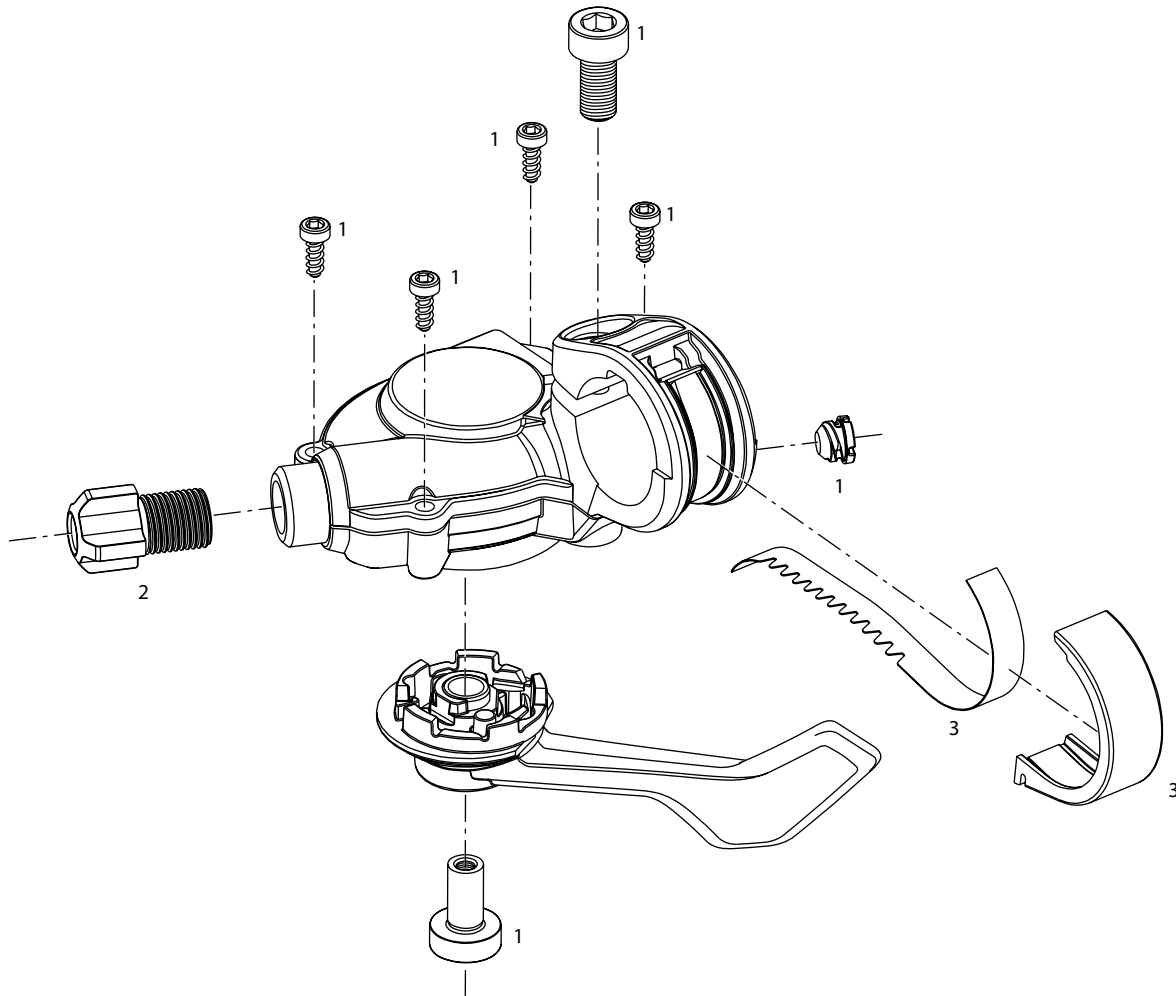
- 1a 11.7015.024.00007-09 X0/X9 Trigger Barrel Adjuster Qty 2 (M6, 3PC)
- 1b 11.7015.025.00006-07 X0 / 07 X9 Trigger Barrel Adj Qty 2 (M10, 2PC)
- 2 11.7015.033.00007-09 X0/X9/X7 Trigger Clamp/Bolt Kit, Qty 1
- 3 11.7015.027.00007-09 X9 Trigger Cover/Cap, Left New (< Nov 06)
- 3 11.7015.028.00007-09 X9 Trigger Cover/Cap, Right New (< Nov 06)
- 4 11.7015.033.070 Trigger Clamp/Bolt Kit Shiny Black Qty 1



No. Part Number Description

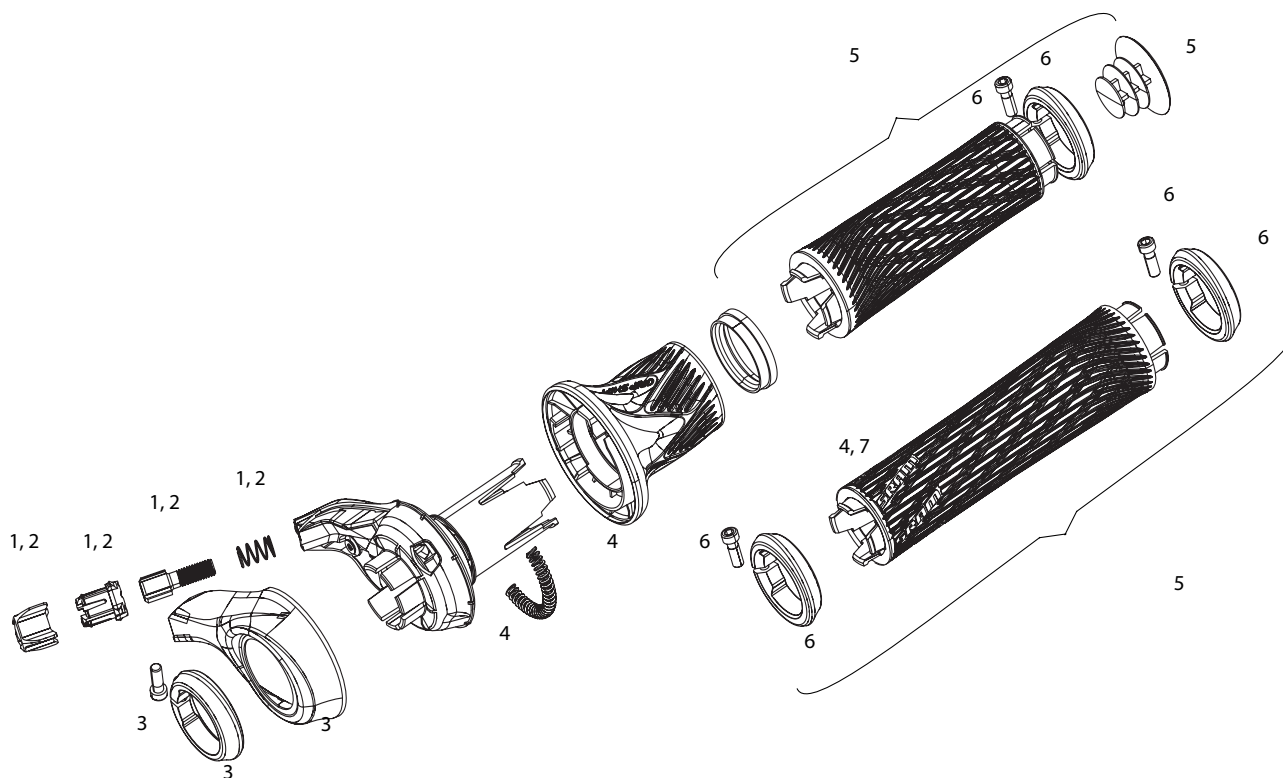
- 1 11.7015.056.00011 SL X9 10-11 X7 Barrel Adjuster Qty 2
- 2 11.7015.033.00007-09 X0/X9/X7 Trigger Clamp/Bolt Kit, Qty 1





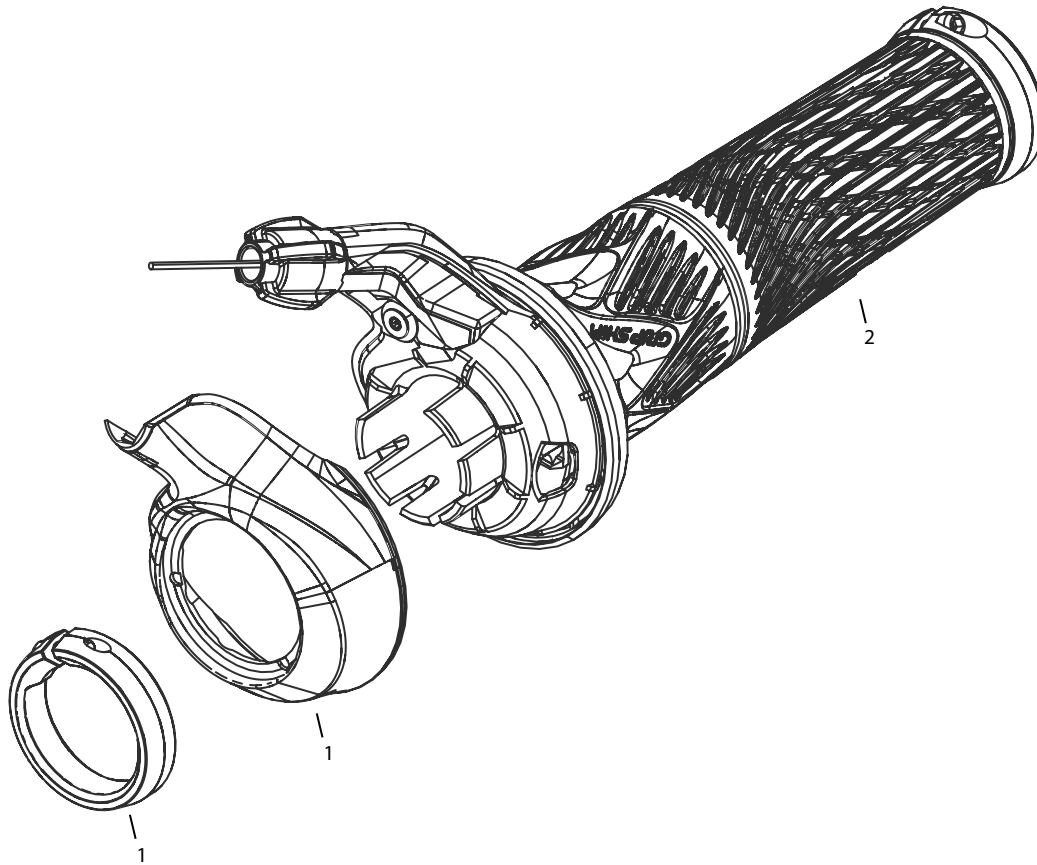
No. Part Number Description

- 1 00.0000.200.931 Trigger Bolt Kit Qty 1 - 06 X9 / 07-09 X7 / Rocket / Attack / 07 SX5 / 08-09 X5 - XGen / Dualdrive
- 2 11.7015.025.00006-07 X0 / 07 X9 Trigger Barrel Adj Qty 2 (M10, 2PC)
- 3 00.0000.200.933 Gear Indicator/Lens 9Spd Left/Right - 06 X9 / 07-09 X7 / Rocket / Attack / SX5 / X5 / XGen



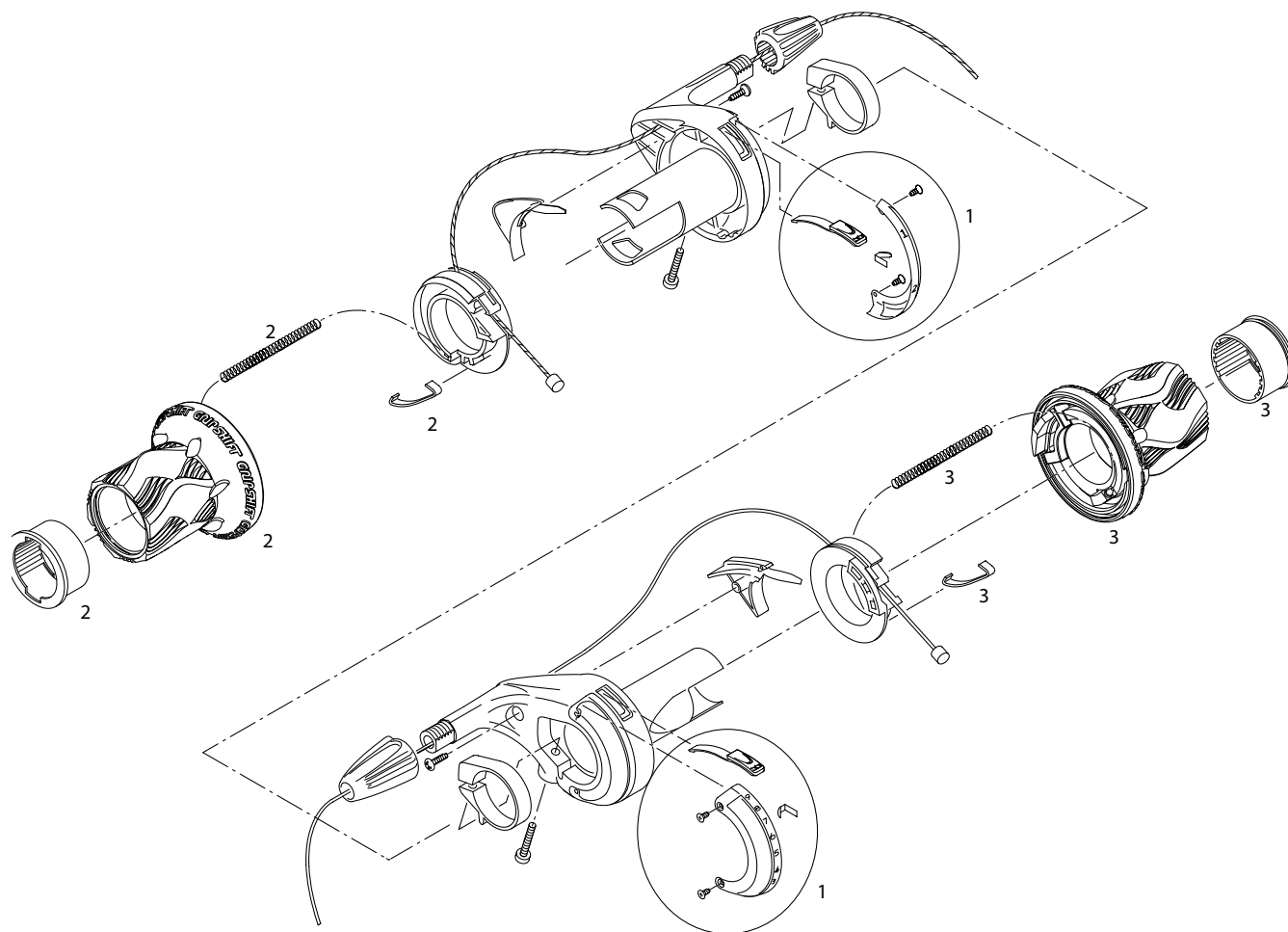
No. Part Number Description

1	11.7018.006.000	XX/X0/X01/DH Silver Grip Shift Barrel Adjuster Kit Qty 1
2	11.7018.006.001	XX1/X0 Grip Shift Barrel Adjuster Kit Black Qty 1
3	11.7018.015.000	XX1 Grip Shift Cover/Clamp Kit, Right Qty 1
3	11.7018.034.000	X01 Grip Shift Cover/Clamp Kit Black, Right Qty 1
3	11.7018.034.001	X01 Grip Shift Cover/Clamp Kit Red, Right Qty 1
3	11.7018.007.000	XX Grip Shift Cover/Clamp Kit, Right Qty 1
3	11.7018.007.001	XX Grip Shift Cover/Clamp Kit, Left Qty 1
3	11.7018.008.000	X0 Grip Shift Silver Cover/Clamp Kit, Right Qty 1
3	11.7018.008.001	X0 Grip Shift Silver Cover/Clamp Kit, Left Qty 1
3	11.7018.008.002	X0 Grip Shift Red Cover/Clamp Kit, Right Qty 1
3	11.7018.008.003	X0 Grip Shift Red Cover/Clamp Kit, Left Qty 1
3	11.7018.061.000	XX1 Eagle Grip Shift Cover/Clamp Kit Gold, Right Qty 1
3	11.7018.061.010	XX1 Eagle Grip Shift Cover/Clamp Kit Black, Right Qty 1
3	11.7018.061.020	X01 Eagle Grip Shift Cover/Clamp Kit Red, Right Qty 1
3	11.7018.061.030	X01 Eagle Grip Shift Cover/Clamp Kit Black, Right Qty 1
4	11.7018.010.000	XX/X0 Shift Grip F W Spring & Lockrings
4	11.7018.010.001	XX1/XX/X0 Shift Grip Rear W Spring & Lockrings
5	00.7918.013.000	Locking Grips for Grip Shift Integrated 100mm with Silver Clamps and End Plug
5	00.7918.013.001	Locking Grips for Grip Shift Integrated 100mm with Black Clamps and End Plug
5	00.7918.013.002	Locking Grips for Grip Shift Full Length 122mm with Silver Clamps and End Plug
5	00.7918.013.003	Locking Grips for Grip Shift Full Length 122mm with Black Clamps and End Plug
5	00.7918.013.004	Locking Grips for XX1 Grip Shift 100mm and 122mm with SilverClamps and End Plug
6	00.7918.013.005	Locking Grips for XX1 Grip Shift 100mm and 122mm with BlackClamps and End Plug
7	11.7018.017.000	XX1/XX/X0 Grip Shift Discrete Lockrings to use with Non Lock On Grips Qty 2
7	11.7018.016.000	XX1 Lock-On Grip Clamp and Bolt Black
7	11.7018.017.001	XX1/XX/X0 Grip Shift Lockrings to use with Lock-On Grips Qty2



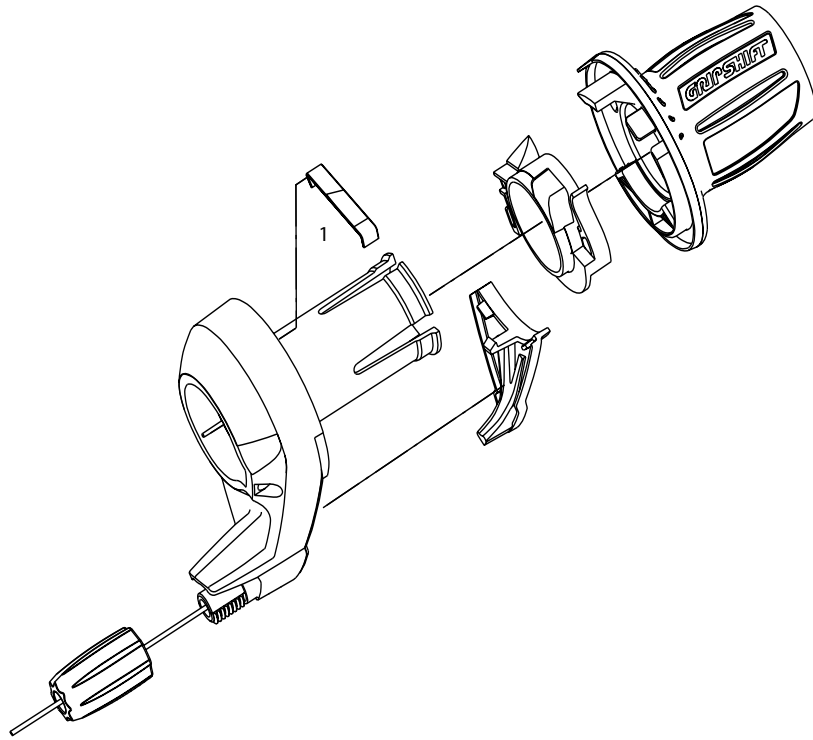
No. Part Number Description

1	11.7018.045.000GX	Grip Shift 11 Speed Rear Black Cover with Clamp
1	11.7018.045.001GX	Grip Shift 11 Speed Rear Red Cover with Clamp
1	11.7018.045.002GX	Grip Shift 2X11 Speed Front Black Cover with Clamp
1	11.7018.045.003GX	Grip Shift 2X11 Speed Front Red Cover with Clamp
1	11.7018.054.000NX	Grip Shift Cover/Clamp Kit Black, Right Qty 1
2	00.7918.013.001	Locking Grips for Grip Shift Integrated 100mm with Black Clamp and End Plug
2	00.7918.013.003	Locking Grips for Grip Shift Full Length 122mm with Black Clamps and End Plug



No. Part Number Description

1	00.0000.200.561X0 / X9 / X7 / Rocket Gear Indicator Kit, Left
2	00.0000.200.598X0 Grip Assy, Left, Micro Adjust
2	00.0000.200.599X0 Grip Assy, Left, Index
2	00.0000.200.562X9 / Rocket Grip Assy, Left, Micro Adjust
2	00.0000.200.597X7 / Attack Grip Assy, Left, Index
3	00.0000.200.610X0 Grip Assy, Right, 8/9Spd
3	00.0000.200.606X9 Grip Assy, Right, 8/9Spd
3	00.0000.200.608X7 Grip Assy, Right, 8/9Spd
3	00.0000.200.609Attack Grip Assy, Right



---

No. Part Number Description

1 11.7015.067.000 Indexing Spring 3.0 / MRX 10pcs



Part Number	Description
11.6118.005.000	XX1 Left Crank Arm GXP Q156 170
11.6118.005.001	XX1 Left Crank Arm GXP Q156 175
11.6118.005.002	XX1 Left Crank Arm GXP Q168 170
11.6118.005.003	XX1 Left Crank Arm GXP Q168 175
11.6118.005.004	XX1 Left Crank Arm GXP Black Q156 170
11.6118.005.005	XX1 Left Crank Arm GXP Black Q156 175
11.6118.005.006	XX1 Left Crank Arm GXP Black Q168 170
11.6118.005.007	XX1 Left Crank Arm GXP Black Q168 175
11.6918.001.000	XX1 Chain Ring Bolt Kit 4-arm Aluminum Zephyr Grey
11.6118.029.003	X01 Left Crank Arm GXP 175 Black
11.6118.029.002	X01 Left Crank Arm GXP 175 Red
11.6118.029.001	X01 Left Crank Arm GXP 170 Black
11.6118.029.000	X01 Left Crank Arm GXP 170 Red
11.6118.030.000	Left Arm X01DH GXP 165 Red
11.6118.030.001	Left Arm X01DH GXP 165 Black
11.6118.036.000	Left Crank Arm X1 1000 GXP 170 Black
11.6118.036.001	Left Crank Arm X1 1000 GXP 175 Black
11.6118.037.000	Left Crank Arm X1 1400 GXP 170 Black
11.6118.037.001	Left Crank Arm X1 1400 GXP 175 Black
11.6118.037.002	Left Crank Arm X1 1400 GXP 170 Red
11.6118.037.003	Left Crank Arm X1 1400 GXP 175 Red
11.6115.543.080	Left Arm X0 GXP 170 Silver
11.6115.543.010	Left Arm X0 GXP 170 Red
11.6115.543.000	Left Arm X0 GXP 170 Black
11.6115.543.040	Left Arm X0 GXP 175 Black
11.6115.543.050	Left Arm X0 GXP 175 Red
11.6115.550.010	Left Arm X0DH GXP 170 Red
11.6115.550.020	Left Arm X0DH GXP 175 Red
11.6118.039.000	Left Crank Arm GX 1000 GXP Black 175mm
11.6118.039.001	Left Crank Arm GX 1000 GXP Black 170mm
11.6118.040.000	Left Crank Arm GX 1400 GXP Black 175mm
11.6118.040.001	Left Crank Arm GX 1400 GXP Black 170mm
11.6118.040.002	Left Crank Arm GX 1400 GXP Red 175mm
11.6118.040.003	Left Crank Arm GX 1400 GXP Red 170mm
11.6118.055.000	Left Crank Arm GX Eagle GXP 165mm Black
11.6118.055.010	Left Crank Arm GX Eagle GXP 170mm Black
11.6118.055.020	Left Crank Arm GX Eagle GXP 175mm Black
11.6115.544.000	Left Arm X9 GXP 170 Grey
11.6115.545.000	Left Arm X7 GXP 170 Storm Grey
11.6115.548.000	Left Arm X5 GXP 170 Black
11.6115.548.010	Left Arm X5 GXP 175 Black
11.6118.047.000	Left Crank Arm NX GXP 175mm Black
11.6118.047.010	Left Crank Arm NX GXP 170mm Black
11.6118.047.020	Left Crank Arm NX GXP 165mm Black
11.6118.047.030	Left Crank Arm NX GXP 155mm Black



## SPIDER

Part Number	Description
11.6118.004.001	XX1 Spider with Chain Ring Bolts GXP 76BCD 11Speed Arctic Grey
11.6118.004.002	XX1 Spider with Chain Ring Bolts BB30 76BCD 11Speed Arctic Grey
11.6218.014.000	Spider X01 GXP for Guard 11speed 94bcd Nano Black
11.6218.014.001	Spider X01 GXP No Outer Position 11speed 94bcd Nano Black
11.6218.014.002	Spider X01 BB30 for Guard 11speed 94bcd Nano Black
11.6218.014.003	Spider X01 BB30 No Outer Position 11speed 94bcd Nano Black
11.6218.008.000	Spider X0 GXP 10speed 120/80 Mirror Black
11.6218.008.001	Spider X0 BB30 10speed 120/80 Mirror Black
11.6115.551.000	Spider X0DH 104/64 bcd Single Speed GXP Mirror Black
11.6115.551.010	Spider X0DH 104/64 bcd Single Speed BB30 Mirror Black
11.6918.003.000	X01 Chainring Bolt Kit 4-arm Aluminum Black
11.6118.026.000	Removeable Spider Torx25 Mounting Bolts Qty3

## BOTTOM BRACKET

11.6415.001.000	Bottom Bracket Bearing Adjuster BB30 Press Fit 30
11.6415.004.000	GXP Drive Side Reducer Shield Qty 10
11.6115.552.000	Wave Washer for GXP to PressFit Adapter 24.5mm QTY 5
11.6415.007.010	Bottom Bracket Shield and Wave Washer Assembly PressFit GXP MTB
11.6415.007.030	Bottom Bracket Shield and Wave Washer Assembly PressFit 30 Bearing
11.6415.007.040	Bottom Bracket Shield and Wave Washer Assembly Pressfit GXP Specialized 84.5
11.6115.533.000	Spindle Spacer, BB30 - DS 13
11.6115.533.010	Spindle Spacer, BB30 - Drive Side 9.11
11.6115.533.020	Spindle Spacer, BB30 - Drive Side 15.46
11.6415.005.000	BB30 Spacer Kit 2 X 2.5mm
11.6415.001.000	Bottom Bracket Bearing Adjuster BB30 Press Fit 30

## CASSETTE

11.2415.022.000	Cassette Lockring Aluminum PG990, PG970 DH for 11T Red
11.2415.013.000	Cassette Lockring Aluminum OG1070, PG970 For 12T
11.2415.027.010	Cassette PG1050, PG950 Lockring 12T Steel
00.0000.201.007	Cassette Spacer PG990, 970DH, Qty 1

## CRANK

11.6900.002.160	Crank Arm Bolt M15/M25 Alloy Self-Extracting GXP Black Qty 1
11.6115.530.060	Crank Arm Bolt M18/M30 Alloy Self-Extracting BB30 Right Qty 1
11.6415.004.000	GXP Drive Side Reducer Shield Qty 10
11.6218.007.007	Chain Ring MTB 38T S1 104 49 Alum 5mm Tungsten Grey CNC-After L-Pin 2x10 Specialized (38-24)
11.6900.002.160	Crank Arm Bolt M15/M25 Alloy Self-Extracting GXP Black Qty 1
11.6215.193.060	XX Chain Ring Bolt Kit 4x2
11.6215.193.070	Chainring Bolt Kit 4x2 Steel/Steel Black
11.6215.193.080	Chainring Bolt Kit 4x2 Aluminum/Steel Black

NOTE: XX crank is compatible with XX 10 speed cassette, XX front derailleur and XX rear derailleur only.  
XX1 crank is compatible with XG-1199 11 speed cassette, XX1 shifters and XX1 rear derailleur only.



## Part Number Description

11.6115.530.060	Crank Arm Bolt M18/M30 Alloy Self-Extracting BB30 Right Qty 1
11.6215.188.120XX	Chain Ring 26T S1 80 AL3 Tungsten Grey 10 speed
11.6215.188.130XX	Chain Ring 28T S1 80 AL3 Tungsten Grey 10 speed
11.6215.188.140XX	Chain Ring 39T S1 120 AL6 Tungsten Grey L-Pin GXP 10 speed
11.6215.188.150XX	Chain Ring 39T S1 120 AL6 Tungsten Grey S-Pin BB30 10 speed
11.6215.188.160XX	Chain Ring 39T S1 120 AL6 Tungsten Grey C-Pin Cannondale 10 speed
11.6215.188.170XX	Chain Ring 42T S1 120 AL6 Tungsten Grey L-Pin GXP 10 speed
11.6215.188.180XX	Chain Ring 42T S1 120 AL6 Tungsten Grey S-Pin BB30 10 speed
11.6215.188.200	Chain Ring MTB 44T S1 104 AL5 Blast Black L-Pin GXP CNC 3x10
11.6215.188.210	Chain Ring MTB 44T S1 104 AL5 Blast Black S-Pin BB30 CNC 3x10
11.6215.188.220	Chain Ring MTB 42T S2 120 AL6 White L-Pin GXP 2x10
11.6215.188.230	Chain Ring MTB 42T S2 120 AL6 Blast Black S-Pin BB30 CNC 2x10
11.6215.188.240	Chain Ring MTB 42T S2 120 AL6 Blast Black L-Pin GXP CNC 2x10
11.6215.188.250	Chain Ring MTB 39T S2 120 AL6 Blast Black L-Pin GXP CNC 2x10
11.6215.188.260	Chain Ring MTB 39T S2 120 AL6 Blast Black L-Pin GXP CNC 2x10
11.6215.188.270	Chain Ring MTB 39T S2 120 AL6 Blast Black S-Pin BB30 CNC 2x10
11.6215.188.280	Chain Ring MTB 33T S1 104 AL5 Tungsten Grey 3x10
11.6215.188.290	Chain Ring MTB 33T S1 104 AL5 Blast Black 3x10
11.6215.188.300	Chain Ring MTB 28T S1 80 AL3 Blast Black 2x10
11.6215.188.310	Chain Ring MTB 26T S1 80 AL3 Blast Black 2x10
11.6215.188.320	Chain Ring MTB 36T S1 104 AL3 Blast Black 2x10 (Specialized 36/24)
11.6215.188.370	Chainring MTB 22T S1 64 AL3 Blast Black 10 Speed
11.6215.188.380	Chain Ring MTB 34T 104bcd AL4 Blast Black 1x10
11.6215.188.390	Chain Ring MTB 36T 104bcd AL4 Blast Black 1x10
11.6215.188.400	Chain Ring MTB 38T 104bcd AL4 Blast Black 1x10
11.6215.188.410	Chain Ring MTB 36T S1 104bcd 49 chainline AL5 Blast Black 2x10 No Pin (36/22)
11.6215.188.420	Chain Ring MTB 38T S1 104bcd 49 chainline AL5 Blast Black 2x10 No Pin (38/24)
11.6215.188.430	Chain Ring MTB 36T S1 104bcd 49 chainline AL5 Blast Black 2x10 Long Pin (36/22)
11.6215.188.440	Chain Ring MTB 38T S1 104bcd 49 chainline AL5 Blast Black 2x10 Long Pin (38/24)
11.6215.188.450	Chain Ring MTB 48T S1 104 AL5 Falcon Grey L-Pin 2x10 (48-32)
11.6215.188.460	Chain Ring MTB 32T S1 64 Alum 3mm Falcon Grey (48-32)
11.6218.021.000	Chain Ring MTB 34T 104 AL5 Blast Black 2x10 Medium Pin
11.6218.021.001	Chain Ring MTB 34T 104 AL5 Blast Black 2x10 Long Pin
11.6218.021.002	Chain Ring MTB 34T 104 AL5 Blast Black 2x10 No Pin
11.6218.022.000	Chain Ring MTB 36T 104 AL5 Blast Black 2x11 Medium Pin
11.6218.022.001	Chain Ring MTB 36T 104 AL5 Blast Black 2x11 Long Pin
11.6218.022.002	Chain Ring MTB 36T 104 AL5 Blast Black 2x11 No Pin
11.6218.023.000	Chain Ring MTB 24T 64 AL3 Blast Black 2x11 No Pin
11.6218.023.001	Chain Ring MTB 22T 64 AL3 Blast Black 2x10 No Pin

NOTE: XX crank is compatible with XX 10 speed cassette, XX front derailleur and XX rear derailleur only.  
 XX1 crank is compatible with XG-1199 11 speed cassette, XX1 shifters and XX1 rear derailleur only.

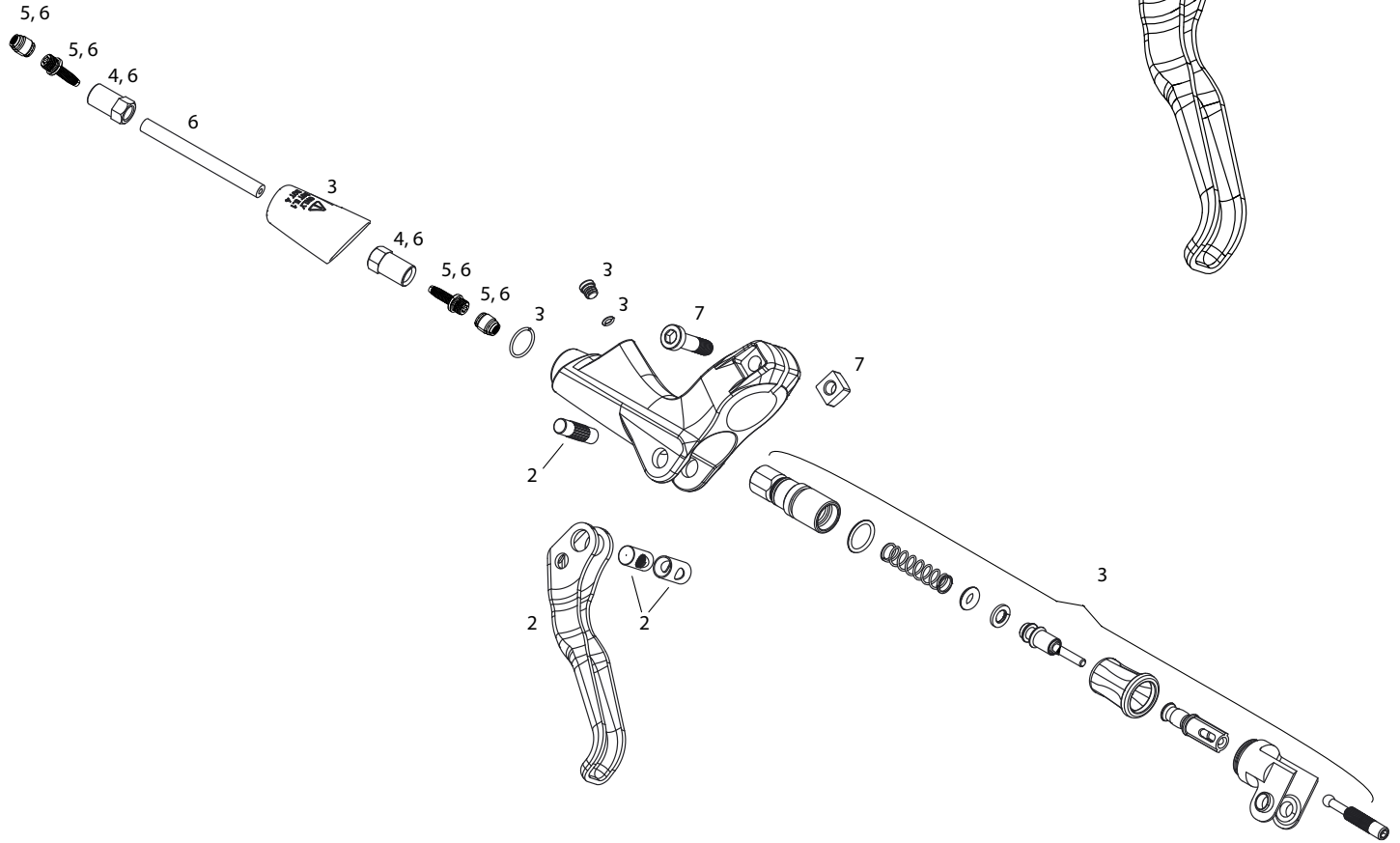
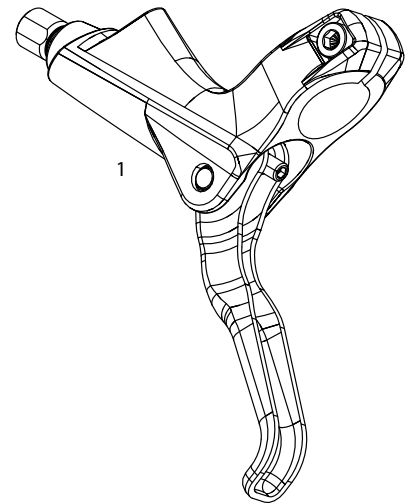




Part Number	Description
11.6218.004.000	XX1 Chain Ring 28T 76BCD Alum 6mm Grey 11 speed
11.6218.004.001	XX1 Chain Ring 30T 76BCD Alum 6mm Grey 11 speed
11.6218.004.002	XX1 Chain Ring 32T 76BCD Alum 6mm Grey 11 speed
11.6218.004.003	XX1 Chain Ring 34T 76BCD Alum 6mm Grey 11 speed
11.6218.004.004	XX1 Chain Ring 36T 76BCD Alum 6mm Grey 11 speed
11.6218.004.005	XX1 Chain Ring 38T 76BCD Alum 6mm Grey 11 speed
11.6218.007.007	Chain Ring MTB 38T S1 104 49 Alum 5mm Tungsten Grey CNC-After L-Pin 2x10 Specialized (38-24)
11.6218.012.000	Chain Ring X-Sync 30T 94BCD Alum 5mm Black w CNC Silver 11 speed
11.6218.012.001	Chain Ring X-Sync 32T 94BCD Alum 5mm Black w CNC Silver 11 speed
11.6218.012.002	Chain Ring X-Sync 34T 94BCD Alum 5mm Black w CNC Silver 11 speed
11.6218.012.003	Chain Ring X-Sync 36T 94BCD Alum 5mm Black w CNC Silver 11 speed
11.6218.012.004	Chain Ring X-Sync 38T 94BCD Alum 5mm Black w CNC Silver 11 speed
11.6218.013.000	Chain Ring X-Sync 32T 104BCD Alum 5mm Black 11 speed
11.6218.013.001	Chain Ring X-Sync 34T 104BCD Alum 5mm Black 11 speed
11.6218.013.002	Chain Ring X-Sync 36T 104BCD Alum 5mm Black 11 speed
11.6218.013.003	Chain Ring X-Sync 38T 104BCD Alum 5mm Black 11 speed
11.6218.018.000	Chain Ring X-Sync 30T Direct Mount 6mm Offset Alum 11 speed
11.6218.018.001	Chain Ring X-Sync 32T Direct Mount 6mm Offset Alum 11 speed
11.6218.018.002	Chain Ring X-Sync 34T Direct Mount 6mm Offset Alum 11 speed
11.6218.018.003	Chain Ring X-Sync 30T Direct Mount 0mm Offset Alum 11 speed
11.6218.018.004	Chain Ring X-Sync 32T Direct Mount 0mm Offset Alum 11 speed
11.6218.018.005	Chain Ring X-Sync 34T Direct Mount 0mm Offset Alum 11 speed
11.6218.018.006	Chain Ring X-Sync 26T Direct Mount 6mm Offset Alum 11 speed
11.6218.018.007	Chain Ring X-Sync 28T Direct Mount 6mm Offset Alum 11 speed
11.6218.018.008	Chain Ring X-Sync 36T Direct Mount 6mm Offset Alum 11 speed
11.6218.018.009	Chain Ring X-Sync 38T Direct Mount 6mm Offset Alum 11 speed
11.6218.018.010	Chain Ring X-Sync 40T Direct Mount 6mm Offset Alum 11 speed
11.6218.018.011	Chain Ring X-Sync 26T Direct Mount 0mm Offset Alum 11 speed
11.6218.018.012	Chain Ring X-Sync 28T Direct Mount 0mm Offset Alum 11 speed
11.6218.018.013	Chain Ring X-Sync 36T Direct Mount 0mm Offset Alum 11 speed
11.6218.018.014	Chain Ring X-Sync 38T Direct Mount 0mm Offset Alum 11 speed
11.6218.018.015	Chain Ring X-Sync 40T Direct Mount 0mm Offset Alum 11 speed
11.6218.021.000	Chain Ring MTB 34T 104 AL5 Blast Black 2x10 Medium Pin
11.6218.021.001	Chain Ring MTB 34T 104 AL5 Blast Black 2x10 Long Pin
11.6218.021.002	Chain Ring MTB 34T 104 AL5 Blast Black 2x10 No Pin
11.6218.022.000	Chain Ring MTB 36T 104 AL5 Blast Black 2x11 Medium Pin
11.6218.022.001	Chain Ring MTB 36T 104 AL5 Blast Black 2x11 Long Pin
11.6218.022.002	Chain Ring MTB 36T 104 AL5 Blast Black 2x11 No Pin
11.6218.023.000	Chain Ring MTB 24T 64 AL3 Blast Black 2x11 No Pin
11.6218.023.001	Chain Ring MTB 22T 64 AL3 Blast Black 2x10 No Pin
11.6218.035.000	Chain Ring MTB 36T 104 AL5 2TONE 2x10 Medium Pin
11.6218.026.000	Chain Ring X-SYNC STEEL 30T 94BCD Steel 3.5mm Black 11 speed
11.6218.026.001	Chain Ring X-SYNC STEEL 32T 94BCD Steel 3.5mm Black 11 speed
11.6218.027.000	Chain Ring X-SYNC STEEL 28T Direct Mount 6mm Offset Steel 3.5mm Black 11 speed
11.6218.030.000	Chain Ring X-SYNC 2 30T Direct Mount 6mm Offset Alum Eagle Black
11.6218.030.010	Chain Ring X-SYNC 2 32T Direct Mount 6mm Offset Alum Eagle Black
11.6218.030.020	Chain Ring X-SYNC 2 34T Direct Mount 6mm Offset Alum Eagle Black
11.6218.030.030	Chain Ring X-SYNC 2 36T Direct Mount 6mm Offset Alum Eagle Black
11.6218.030.040	Chain Ring X-SYNC 2 38T Direct Mount 6mm Offset Alum Eagle Black
11.6218.030.050	Chain Ring X-SYNC 2 30T Direct Mount 3mm Offset Boost Alum Eagle Black
11.6218.030.060	Chain Ring X-SYNC 2 32T Direct Mount 3mm Offset Boost Alum Eagle Black
11.6218.030.070	Chain Ring X-SYNC 2 34T Direct Mount 3mm Offset Boost Alum Eagle Black
11.6218.030.080	Chain Ring X-SYNC 2 36T Direct Mount 3mm Offset Boost Alum Eagle Black
11.6218.030.090	Chain Ring X-SYNC 2 38T Direct Mount 3mm Offset Boost Alum Eagle Black
11.6218.030.100	Chain Ring X-SYNC 2 30T Direct Mount 6mm Offset Alum Eagle Gold
11.6218.030.110	Chain Ring X-SYNC 2 32T Direct Mount 6mm Offset Alum Eagle Gold
11.6218.030.120	Chain Ring X-SYNC 2 34T Direct Mount 6mm Offset Alum Eagle Gold
11.6218.030.130	Chain Ring X-SYNC 2 36T Direct Mount 6mm Offset Alum Eagle Gold
11.6218.030.140	Chain Ring X-SYNC 2 38T Direct Mount 6mm Offset Alum Eagle Gold
11.6218.030.150	Chain Ring X-SYNC 2 30T Direct Mount 3mm Offset Boost Alum Eagle Gold
11.6218.030.160	Chain Ring X-SYNC 2 32T Direct Mount 3mm Offset Boost Alum Eagle Gold
11.6218.030.170	Chain Ring X-SYNC 2 34T Direct Mount 3mm Offset Boost Alum Eagle Gold
11.6218.030.180	Chain Ring X-SYNC 2 36T Direct Mount 3mm Offset Boost Alum Eagle Gold
11.6218.030.190	Chain Ring X-SYNC 2 38T Direct Mount 3mm Offset Boost Alum Eagle Gold
11.6218.033.000	Chain Ring X-SYNC 2 32T 104 BCD Alum Eagle Black
11.6218.033.010	Chain Ring X-SYNC 2 34T 104 BCD Alum Eagle Black
11.6218.033.020	Chain Ring X-SYNC 2 36T 104 BCD Alum Eagle Black
11.6218.033.030	Chain Ring X-SYNC 2 38T 104 BCD Alum Eagle Black

NOTE: XX1 crank is compatible with XG-1199 11 speed cassette, XX1 shifters and XX1 RD only. X-SYNC 2 is only compatible with XG-1295 XG-1299 Eagle CS

# DB 1 - HYDRAULIC DISC BRAKE - LEVERS A1 (2015-2016)



Notes:  
1. Lever Internals kit is pre-assembled

## LEVER SPARES

No.	Part Number	Description
1	11.5015.030.650	Lever Assembly, Aluminum lever, Black (assembled, no hose) DB1
2	11.5018.003.007	Lever Blade Aluminum Black - DB1/DB3 Qty 1 A1
3	11.5018.005.002	Lever Internals DB1/DB3 Qty 1 A1

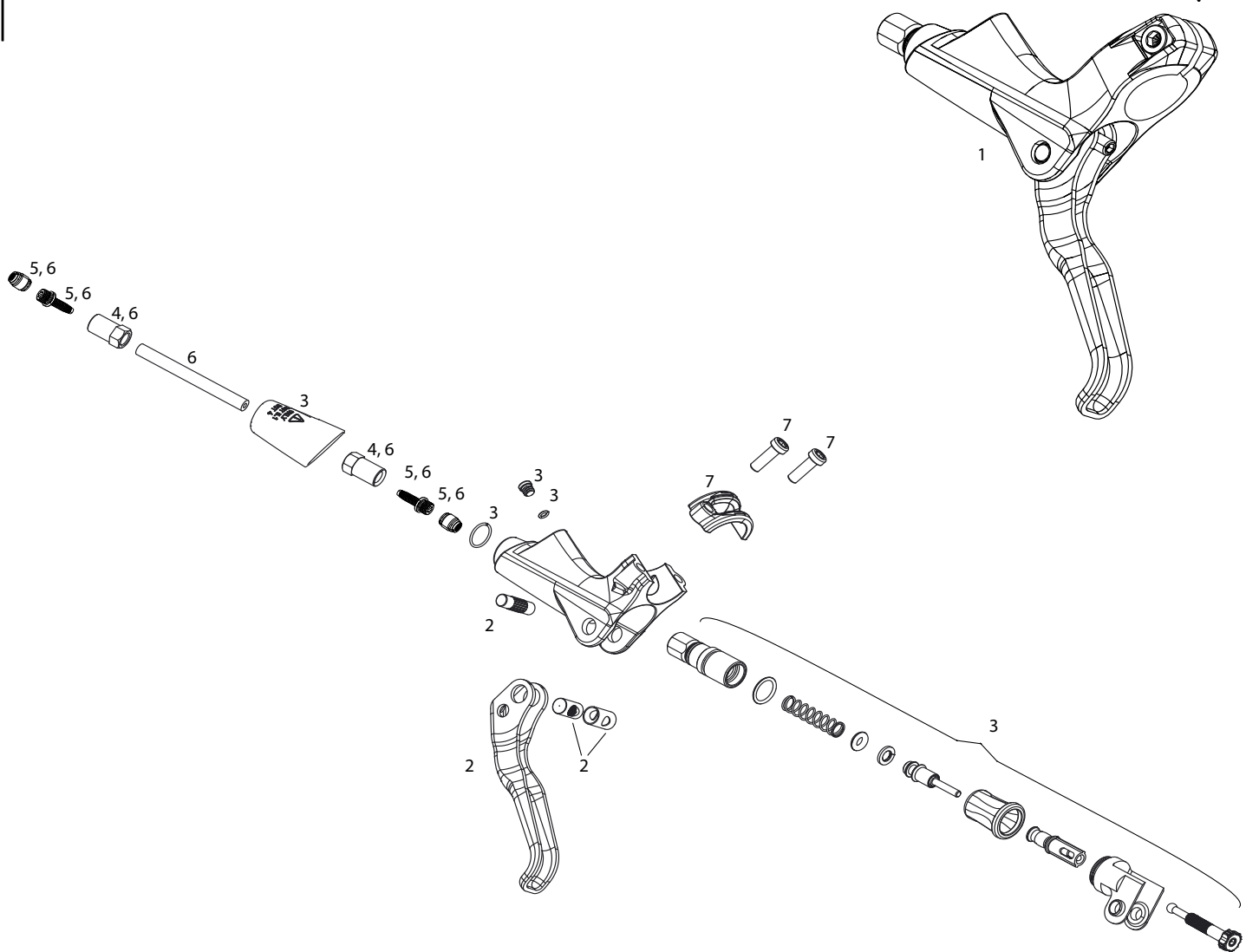
## HYDRAULIC LINES & FITTINGS

4	11.5309.766.000	Hydraulic Disc Brake Compression Hose Nut, Qty 5
5	11.5378.803.004	Hydraulic Disc Brake Hose Fitting Kit (includes 1 threaded hosebarb, 1 red comp fitting) Qty 1 - Stealthmajig
5	11.5378.803.002	Hydraulic Disc Brake Hose Fitting Kit (includes 5 threaded hosebarbs, 5 red comp fittings, 1 T8 Torx) Qty 5
5	11.5378.803.003	Hydraulic Disc Brake Hose Fitting Kit (includes 50 threaded hosebarbs, 50 red comp fittings, 1 T8 Torx) Qty 50
6	00.5016.168.010	Hydraulic Line Kit - Code/Code R/Elixir 3/Elixir 1/Juicy 3/DB 3/DB 1/Level T/Level/Guide RE, 2000mm, Black, Qty 1
6	00.5016.168.020	Hydraulic Line Kit - Code/Code R/Elixir 3/Elixir 1/Juicy 3/DB 3/DB 1/Level T/Level/Guide RE, 2000mm, White, Qty 1

## LEVER CLAMPS

7	11.5018.019.000	Brake Lever Bolt kit for DB1 (includes bolt and square nut)A1 - DB1/Level
---	-----------------	---------------------------------------------------------------------------

# DB 3 - HYDRAULIC DISC BRAKE - LEVERS A1 (2015-2016)



Notes:  
1. Lever Internals kit is pre-assembled

## LEVER SPARES

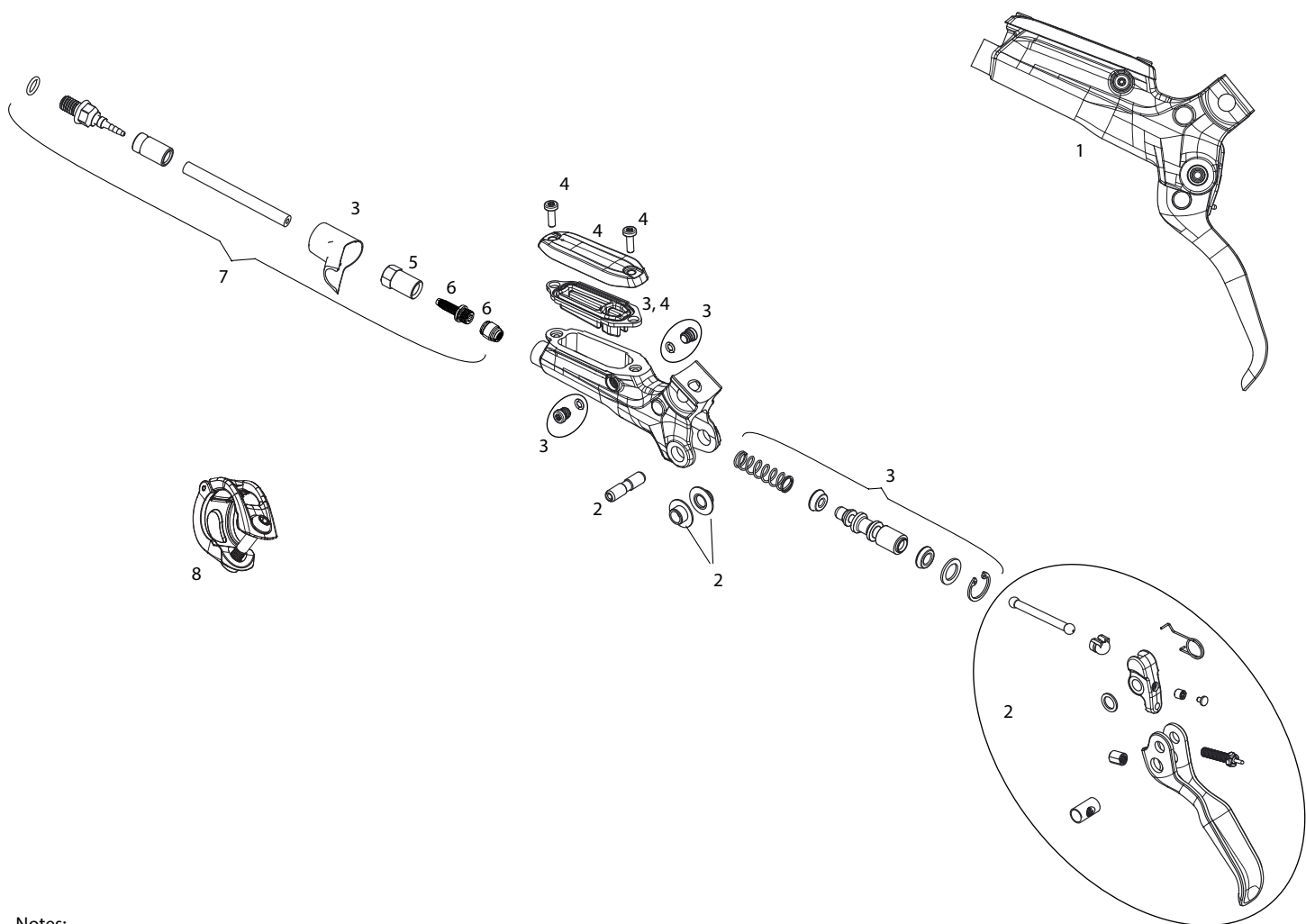
No.	Part Number	Description
1	11.5015.030.610	Lever Assembly, Aluminum lever, Black (assembled, no hose) DB3
1	11.5015.030.630	Lever Assembly, Aluminum lever, White (assembled, no hose) DB3
2	11.5018.003.007	Lever Blade Aluminum Black - DB1/DB3 Qty 1 A1
3	11.5018.005.002	Lever Internals DB1/DB3 Qty 1 A1

## HYDRAULIC LINES & FITTINGS

4	11.5309.766.000	Hydraulic Disc Brake Compression Hose Nut, Qty 5
5	11.5378.803.004	Hydraulic Disc Brake Hose Fitting Kit (includes 1 threaded hosebarb, 1 red comp fitting) Qty 1 - Stealthmajig
5	11.5378.803.002	Hydraulic Disc Brake Hose Fitting Kit (includes 5 threaded hosebarbs, 5 red comp fittings, 1 T8 Torx) Qty 5
5	11.5378.803.003	Hydraulic Disc Brake Hose Fitting Kit (includes 50 threaded hosebarbs, 50 red comp fittings, 1 T8 Torx) Qty 50
6	00.5016.168.010	Hydraulic Line Kit - Code/Code R/Elixir 3/Elixir 1/Juicy 3/DB 3/DB 1/Level T/Level/Guide RE, 2000mm, Black, Qty 1
6	00.5016.168.020	Hydraulic Line Kit - Code/Code R/Elixir 3/Elixir 1/Juicy 3/DB 3/DB 1/Level T/Level/Guide RE, 2000mm, White, Qty 1

## LEVER CLAMPS

7	11.5015.029.030	Lever Split Clamp Kit, Black - Elixir 5/3, DB 3/1/Level T Qty 1 (Steel Hardware)
---	-----------------	----------------------------------------------------------------------------------



Notes:  
1. Lever Internals kit is pre-assembled

### LEVER SPARES

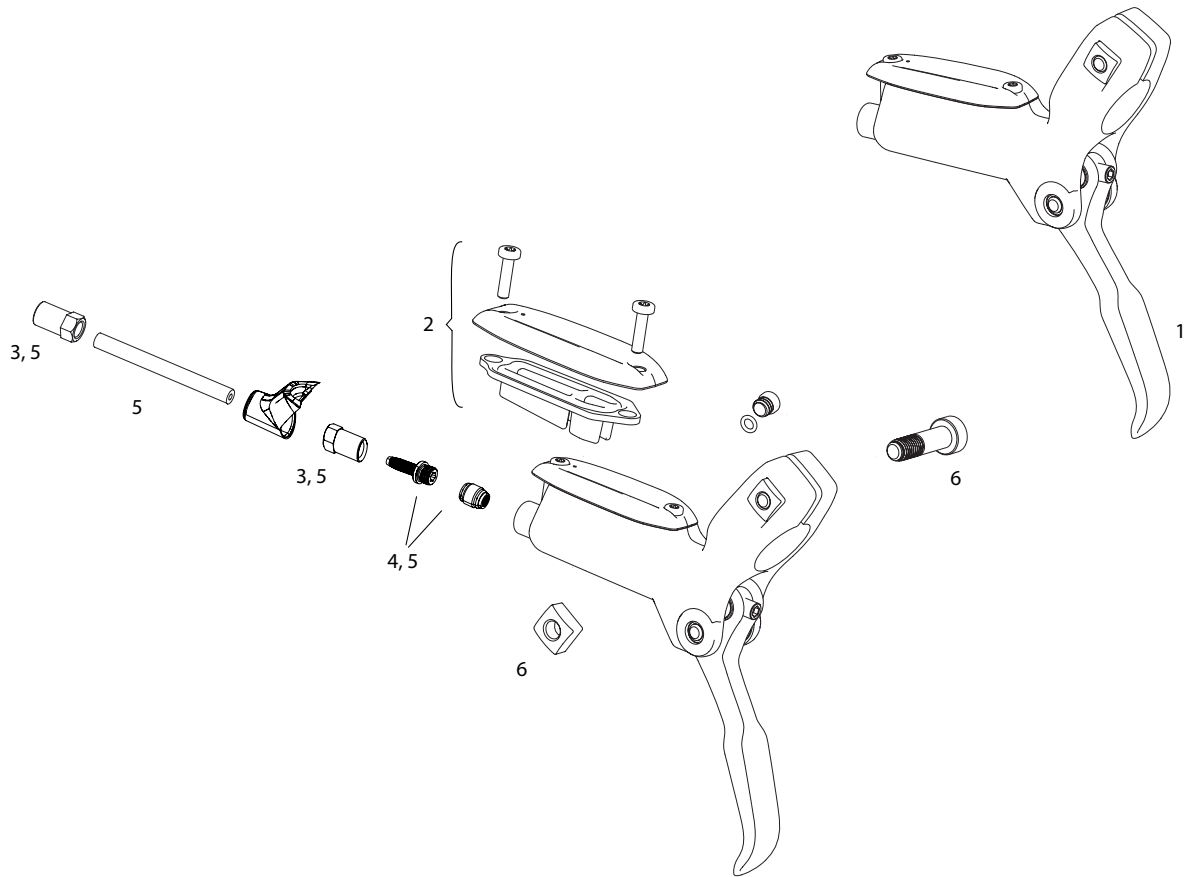
No.	Part Number	Description
1	11.5018.046.010	Lever Assembly, Aluminum lever Gen 2, Gloss Black (assembled, no hose, and includes barb and olive) -Level TL (Tooled,Light)
2	11.5018.003.008	Lever Blade Aluminum Black (includes cam guide) - DB5 Qty 1
3	11.5018.005.008	Lever Internals Gen 2 Guide R/RE/DB5/ Code R Qty 1
4	11.5018.022.000	Reservoir Cap Kit (includes reservoir cap, bladder and hardware) - Guide R/RE/RS/RSC/Ultimate/DB5

### HYDRAULIC LINES & FITTINGS

5	11.5309.766.000	Hydraulic Disc Brake Compression Hose Nut, Qty 5
6	11.5378.803.004	Hydraulic Disc Brake Hose Fitting Kit (includes 1 threaded hosebarb, 1 red comp fitting) Qty 1 - Stealthmajig
6	11.5378.803.002	Hydraulic Disc Brake Hose Fitting Kit (includes 5 threaded hosebarbs, 5 red comp fittings, 1 T8 Torx) Qty 5
6	11.5378.803.003	Hydraulic Disc Brake Hose Fitting Kit (includes 50 threaded hosebarbs, 50 red comp fittings, 1 T8 Torx) Qty 50
7	00.5016.168.130	Hydraulic Line Kit - Guide RSC/Guide RS/Guide R/DB5/Level TL, 2000mm, Stainless, Black, Qty 1
7	00.5016.168.140	Hydraulic Line Kit - Guide RSC/Guide RS/Guide R/DB5/Level TL, 2000mm, Stainless, White, Qty 1

### LEVER CLAMPS

8	11.5315.048.050	MMX Clamp, Silver, Lever (Stainless Steel Bolt T25) - Guide ULT/RSC/RS/RE/R,Level ULT/TLM/TL, Code RSC/R, DB5 Elixir 9/7/CR Mag/X0/ XX, Qty 1
8	11.5315.048.070	MMX Clamp, Black, Lever (Stainless Steel Bolt T25) - Guide ULT/RSC/RS/RE/R,Level ULT/TLM/TL, Code RSC/R, DB5 Elixir 9/7/CR Mag/X0/ XX, Qty 1
8	11.5315.048.080	MMX Clamp, Black, Lever (Ti Bolt T25) - Guide ULT/RSC/RS/RE/R,Level ULT/TLM/TL, Code RSC/R, DB5 Elixir 9/7/CR Mag/X0/ XX, Qty 1



Notes:

- 1. Level lever replaces DB1
- 2. Level brakes use new threaded barb and olive with T8 Torx tool.

LEVER SPARES

No. Part Number Description

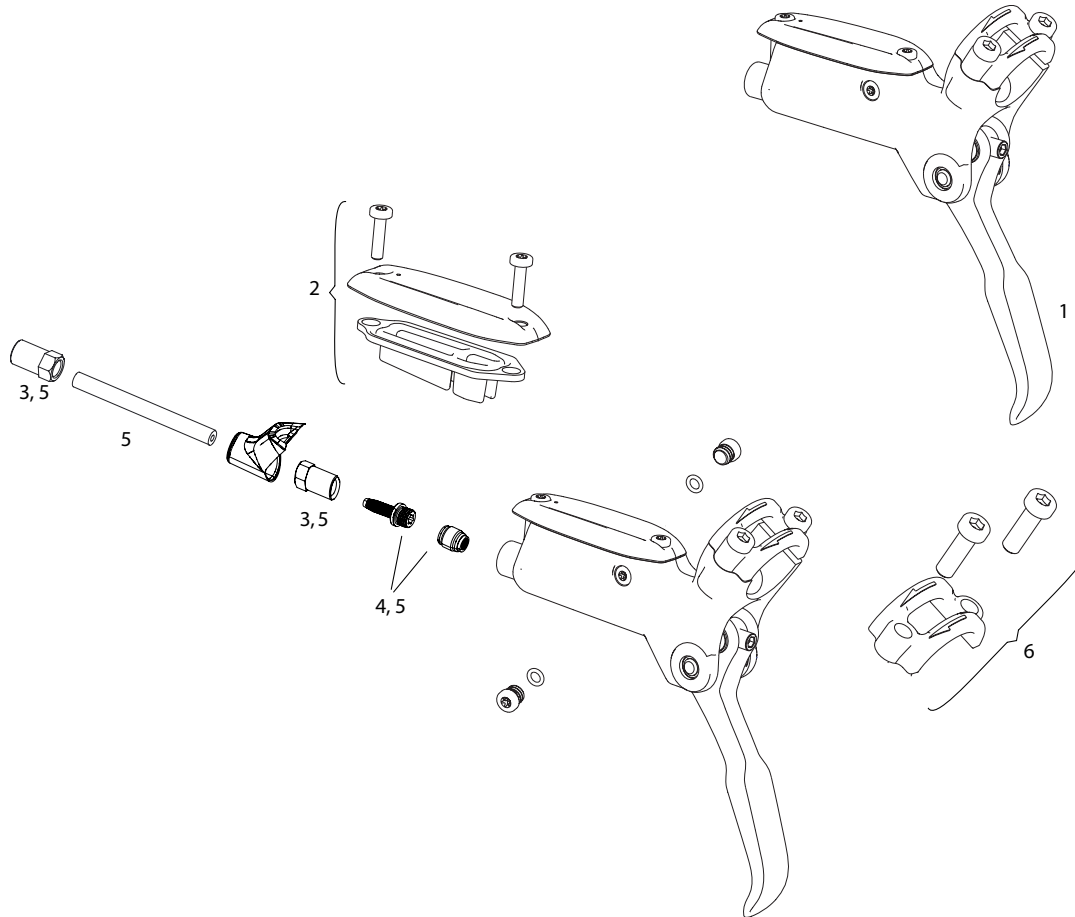
- 1 11.5018.046.008 Lever Assembly, Aluminum lever Gen 2, Black (assembled, no hose, and includes barb and olive) -Level
- 2 11.5018.022.001 Reservoir Cap Kit (includes reservoir cap, bladder and hardware) - Level Ultimate/TLM/TL/T/ Level

HYDRAULIC LINES & FITTINGS

- 3 11.5309.766.000 Hydraulic Disc Brake Compression Hose Nut, Qty 5
- 4 11.5378.803.004 Hydraulic Disc Brake Hose Fitting Kit (includes 1 threaded hosebarb, 1 red comp fitting) Qty 1 - Stealthmajig
- 4 11.5378.803.002 Hydraulic Disc Brake Hose Fitting Kit (includes 5 threaded hosebarbs, 5 red comp fittings, 1 T8 Torx) Qty 5
- 4 11.5378.803.003 Hydraulic Disc Brake Hose Fitting Kit (includes 50 threaded hosebarbs, 50 red comp fittings, 1 T8 Torx) Qty 50
- 5 00.5016.168.010 Hydraulic Line Kit - Code/Code R/Elixir 3/Elixir 1/Juicy 3/DB 3/DB 1/Level T/Level/Guide RE, 2000mm, Black, Qty 1
- 5 00.5016.168.020 Hydraulic Line Kit - Code/Code R/Elixir 3/Elixir 1/Juicy 3/DB 3/DB 1/Level T/Level/Guide RE, 2000mm, White, Qty 1

LEVER CLAMPS

- 6 11.5018.019.000 Brake Lever Bolt kit for DB1 (includes bolt and square nut)A1 - DB1/Level



Notes:

- 1. Level T lever replaces DB3
- 2. T is for Toolled reach adjust.
- 3. Level brakes use new threaded barb and olive with T8 Torx tool.

LEVER SPARES

No. Part Number Description

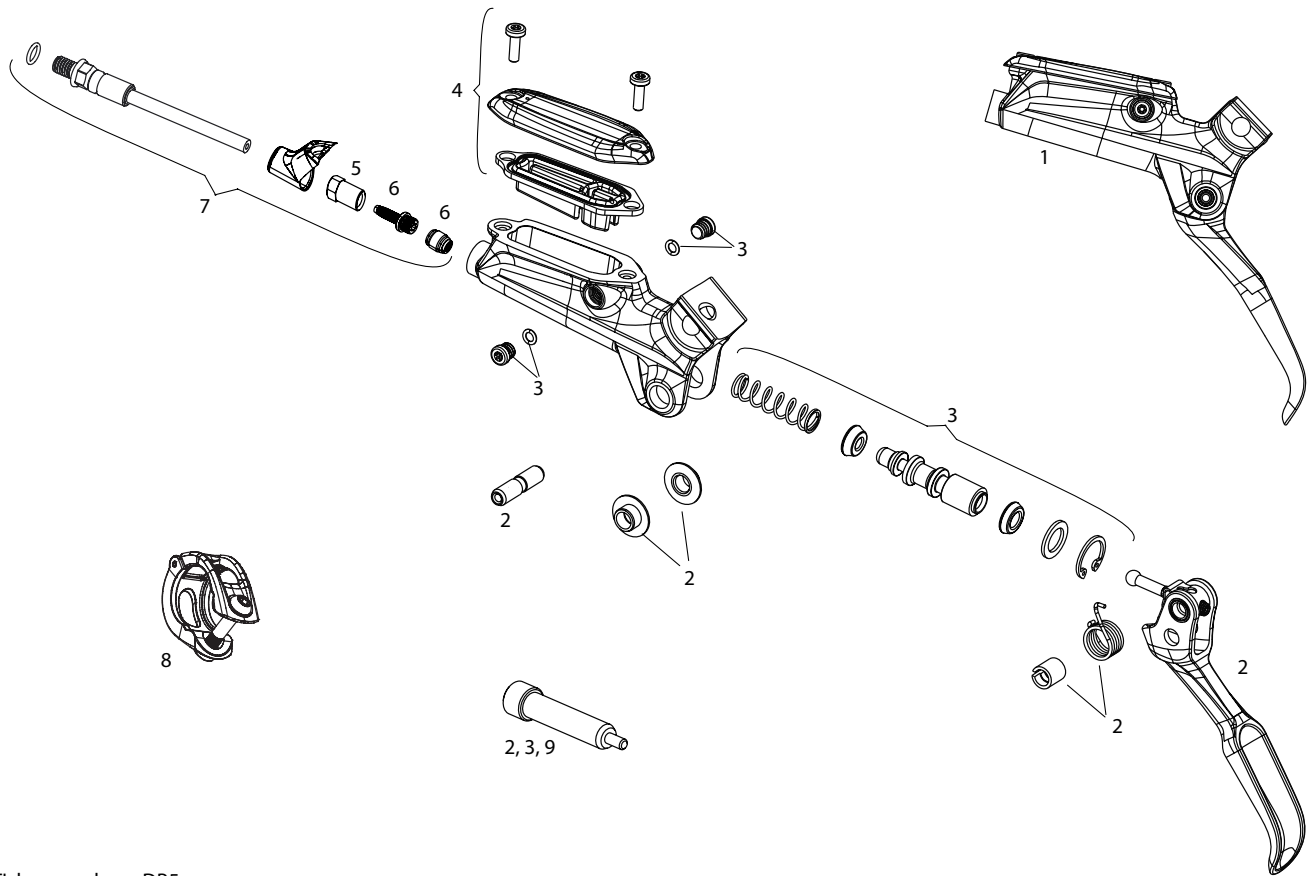
- 1 11.5018.046.009 Lever Assembly, Aluminum lever Gen 2, Split Clamp, Dark Grey(assembled, no hose, and includes barb and olive) - Level T(Tooled)
- 2 11.5018.022.001 Reservoir Cap Kit (includes reservoir cap, bladder and hardware) - Level Ultimate/TLM/TL/T/ Level

HYDRAULIC LINES & FITTINGS

- 3 11.5309.766.000 Hydraulic Disc Brake Compression Hose Nut, Qty 5
- 4 11.5378.803.004 Hydraulic Disc Brake Hose Fitting Kit (includes 1 threaded hosebarb, 1 red comp fitting) Qty 1 - Stealthmajig
- 4 11.5378.803.002 Hydraulic Disc Brake Hose Fitting Kit (includes 5 threaded hosebarbs, 5 red comp fittings, 1 T8 Torx) Qty 5
- 4 11.5378.803.003 Hydraulic Disc Brake Hose Fitting Kit (includes 50 threaded hosebarbs, 50 red comp fittings, 1 T8 Torx) Qty 50
- 5 00.5016.168.010 Hydraulic Line Kit - Code/Code R/Elixir 3/Elixir 1/Juicy 3/DB 3/DB 1/Level T/Level/Guide RE, 2000mm, Black, Qty 1
- 5 00.5016.168.020 Hydraulic Line Kit - Code/Code R/Elixir 3/Elixir 1/Juicy 3/DB 3/DB 1/Level T/Level/Guide RE, 2000mm, White, Qty 1

LEVER CLAMPS

- 6 11.5015.029.030 Lever Split Clamp Kit, Black - Elixir 5/3, DB 3/1/Level T Qty 1 (Steel Hardware)
- ns 00.5315.006.000 Matchmaker Pair



Notes:

- 1. Level TL lever replaces DB5
- 2. TL is for Tooled and Light
- 3. Level brakes use new threaded barb and olive with T8 Torx tool.

LEVER SPARES

No.	Part Number	Description
1	11.5018.046.010	Lever Assembly, Aluminum lever Gen 2, Gloss Black (assembled, no hose, and includes barb and olive) -Level TL (Tooled,Light)
2	11.5018.003.018	Lever Blade Aluminum Black (Includes lever blade, pivot pin, and pivot bushings) - Level TL Qty 1
3	11.5018.005.011	Lever Internals Gen 2 Level Ultimate/TLM/TL Qty 1
4	11.5018.022.001	Reservoir Cap Kit (includes reservoir cap, bladder and hardware) - Level Ultimate/TLM/TL/T/ Level

HYDRAULIC LINES & FITTINGS

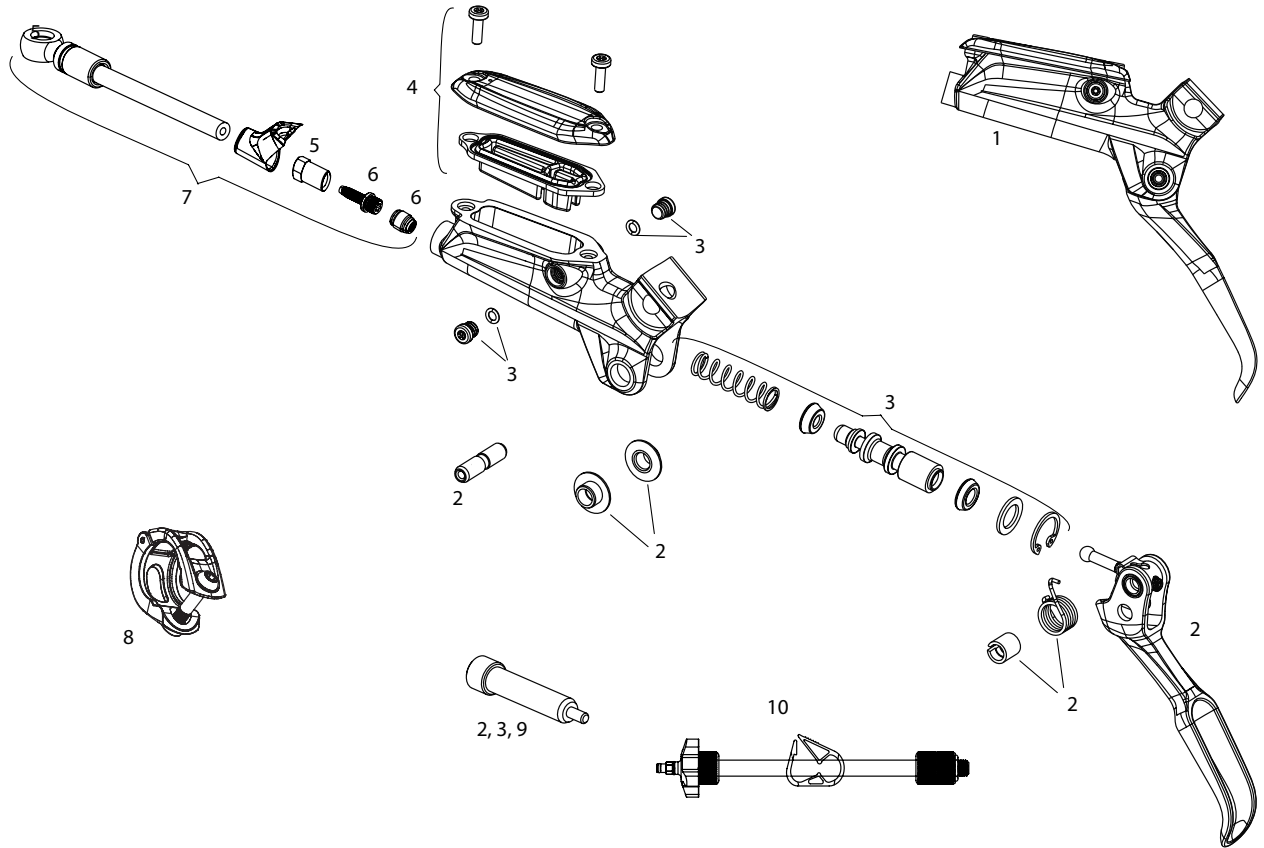
5	11.5309.766.000	Hydraulic Disc Brake Compression Hose Nut, Qty 5
6	11.5378.803.004	Hydraulic Disc Brake Hose Fitting Kit (includes 1 threaded hosebarb, 1 red comp fitting) Qty 1 - Stealthmajig
6	11.5378.803.002	Hydraulic Disc Brake Hose Fitting Kit (includes 5 threaded hosebarbs, 5 red comp fittings, 1 T8 Torx) Qty 5
6	11.5378.803.003	Hydraulic Disc Brake Hose Fitting Kit (includes 50 threaded hosebarbs, 50 red comp fittings, 1 T8 Torx) Qty 50
7	00.5016.168.130	Hydraulic Line Kit - Guide RSC/Guide RS/Guide R/DB5/Level TL, 2000mm, Stainless, Black, Qty 1
7	00.5016.168.140	Hydraulic Line Kit - Guide RSC/Guide RS/Guide R/DB5/Level TL, 2000mm, Stainless, White, Qty 1

LEVER CLAMPS

8	11.5315.048.050	MMX Clamp, Silver, Lever (Stainless Steel Bolt T25) - Guide ULT/RSC/RS/RE/R, Level ULT/TLM/TL, Code RSC/R, DB5 Elixir 9/7/CR Mag/X0/ XX, Qty 1
8	11.5315.048.070	MMX Clamp, Black, Lever (Stainless Steel Bolt T25) - Guide ULT/RSC/RS/RE/R, Level ULT/TLM/TL, Code RSC/R, DB5 Elixir 9/7/CR Mag/X0/ XX, Qty 1
8	11.5315.048.080	MMX Clamp, Black, Lever (Ti Bolt T25) - Guide ULT/RSC/RS/RE/R, Level ULT/TLM/TL, Code RSC/R, DB5 Elixir 9/7/CR Mag/X0/ XX, Qty 1

TOOLS

9	00.5318.015.002	SRAM Tool Lever Pivot Tool (for lever removal & lever service) - Level TLM/TL
---	-----------------	-------------------------------------------------------------------------------



Notes:

- 1. Level TLM lever replaces Elixir X0
- 2. TLM is for Tooled, Light, and Monoblock (caliper)
- 3. Level brakes use new threaded barb and olive with T8 Torx tool.

LEVER SPARES

No.	Part Number	Description
1	11.5018.046.011	Lever Assembly, Aluminum lever Gen 2, Dark Grey (assembled, no hose, and includes barb and olive) - Level TLM (Tooled, Light, Monoblock)
1	11.5018.046.017	Lever Assembly, Aluminum lever Gen 2, Diffusion Black (assembled, no hose, and includes barb and olive) - Level TLM (Tooled, Light, Monoblock)
2	11.5018.003.017	Lever Blade Aluminum Black (Includes lever blade, pivot pin, and pivot bushings) - Level TLM Qty 1
3	11.5018.005.011	Lever Internals Gen 2 Level Ultimate/TLM/TL Qty 1
4	11.5018.022.001	Reservoir Cap Kit (includes reservoir cap, bladder and hardware) - Level Ultimate/TLM/TL/T/ Level

HYDRAULIC LINES & FITTINGS

5	11.5309.766.000	Hydraulic Disc Brake Compression Hose Nut, Qty 5
6	11.5378.803.004	Hydraulic Disc Brake Hose Fitting Kit (includes 1 threaded hose barb, 1 red comp fitting) Qty 1 - Stealthmajig
6	11.5378.803.002	Hydraulic Disc Brake Hose Fitting Kit (includes 5 threaded hosebarbs, 5 red comp fittings, 1 T8 Torx) Qty 5
6	11.5378.803.003	Hydraulic Disc Brake Hose Fitting Kit (includes 50 threaded hosebarbs, 50 red comp fittings, 1 T8 Torx) Qty 50
7	00.5016.168.170	Hydraulic Line Kit - Monoblock, 2000mm, Black, Qty 1 - Level Ultimate, Level TLM, CODE R/RSC B1 (2018+)

LEVER CLAMPS

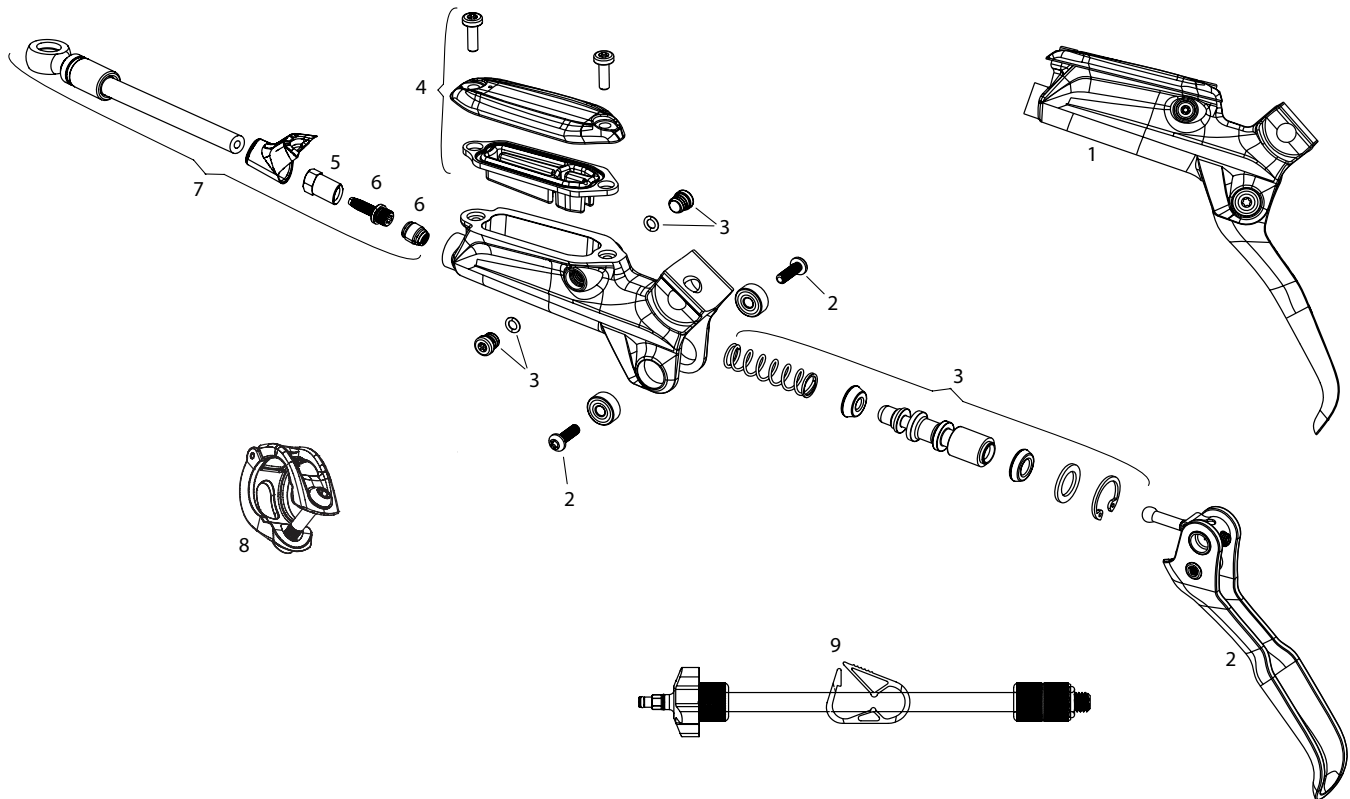
8	11.5315.048.050	MMX Clamp, Silver, Lever (Stainless Steel Bolt T25) - Guide ULT/RSC/RS/RE/R, Level ULT/TLM/TL, Code RSC/R, DB5 Elixir 9/7/CR Mag/X0/ XX, Qty 1
8	11.5315.048.070	MMX Clamp, Black, Lever (Stainless Steel Bolt T25) - Guide ULT/RSC/RS/RE/R, Level ULT/TLM/TL, Code RSC/R, DB5 Elixir 9/7/CR Mag/X0/ XX, Qty 1
8	11.5315.048.080	MMX Clamp, Black, Lever (Ti Bolt T25) - Guide ULT/RSC/RS/RE/R, Level ULT/TLM/TL, Code RSC/R, DB5 Elixir 9/7/CR Mag/X0/ XX, Qty 1

TOOLS

9	00.5318.015.002	SRAM Tool Lever Pivot Tool (for lever removal & lever service) - Level TLM/TL
10	00.5318.015.001	SRAM Tool Bleeding Edge (works with Avid/SRAM Pro Bleed Kits) -S4/Monoblock Calipers, Guide Ultimate/RSC (B1)/RS (B1)/R(B1)/Level Ult/Level TLM



# LEVEL ULTIMATE - HYDRAULIC DISC BRAKE - LEVERS A1 (2017-2018)



## Notes:

1. Level Ultimate lever replaces Elixir XX
2. Level brakes use new threaded barb and olive with T8 Torx tool.

## LEVER SPARES

No.	Part Number	Description
1	11.5018.046.012	Lever Assembly, Carbon lever Gen 2, Black Ano (assembled, no hose, and includes barb and olive) - Level Ultimate
1	11.5018.046.018	Lever Assembly, Carbon lever Gen 2, Gold (assembled, no hose, and includes barb and olive) - Level Ultimate
2	11.5018.003.016	Lever Blade Carbon Black (Includes lever blade assembly, screws) - Level Ultimate Qty 1
3	11.5018.005.011	Lever Internals Gen 2 Level Ultimate/TLM/TL Qty 1
4	11.5018.022.001	Reservoir Cap Kit (includes reservoir cap, bladder and hardware) - Level Ultimate/TLM/TL/T/ Level

## HYDRAULIC LINES & FITTINGS

5	11.5309.766.000	Hydraulic Disc Brake Compression Hose Nut, Qty 5
6	11.5378.803.004	Hydraulic Disc Brake Hose Fitting Kit (includes 1 threaded hosebarb, 1 red comp fitting) Qty 1 - Stealthmajig
6	11.5378.803.002	Hydraulic Disc Brake Hose Fitting Kit (includes 5 threaded hosebarbs, 5 red comp fittings, 1 T8 Torx) Qty 5
6	11.5378.803.003	Hydraulic Disc Brake Hose Fitting Kit (includes 50 threaded hosebarbs, 50 red comp fittings, 1 T8 Torx) Qty 50
7	00.5016.168.170	Hydraulic Line Kit - Monoblock, 2000mm, Black, Qty 1 - Level Ultimate, Level TLM, CODE R/RSC B1 (2018+)

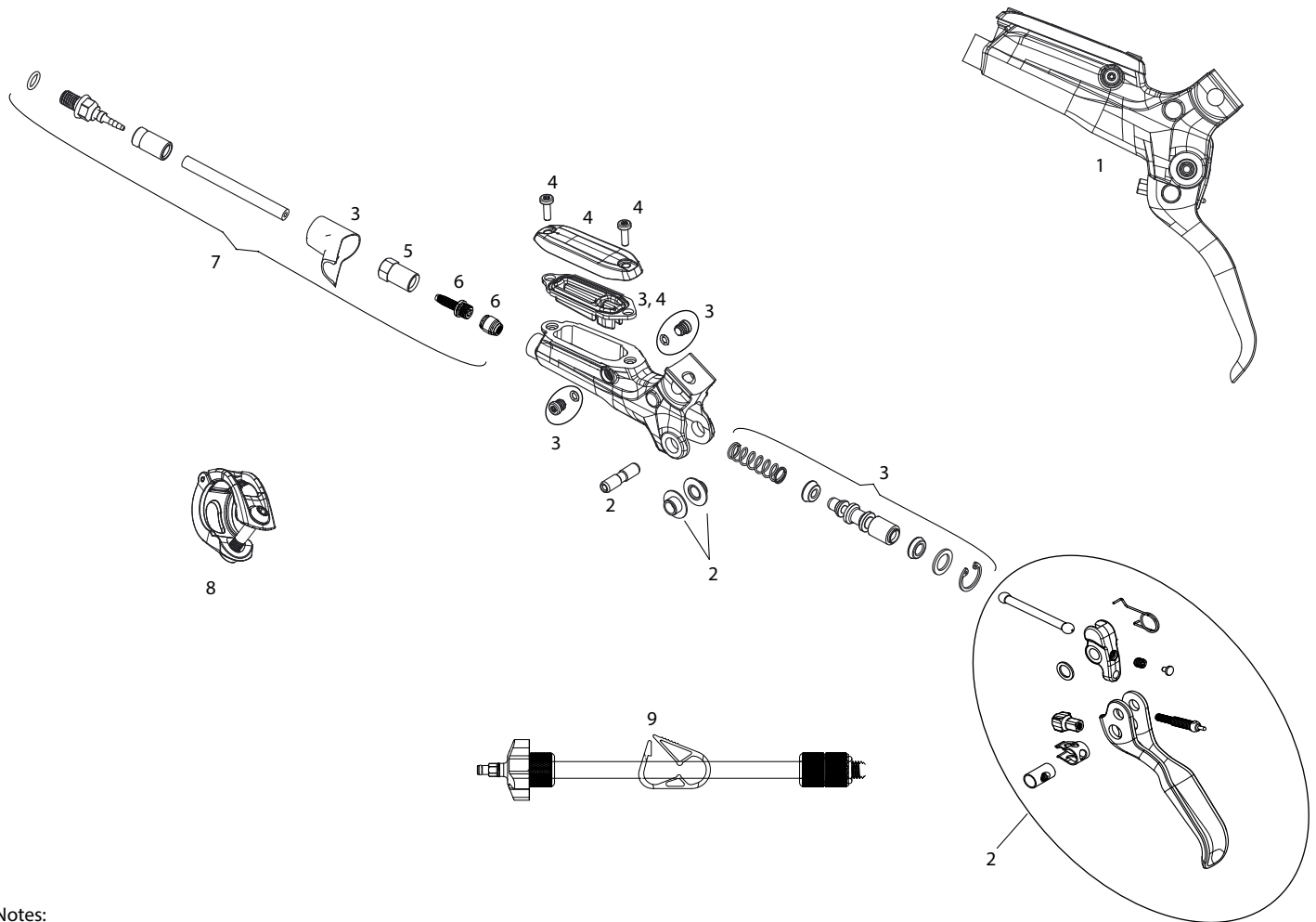
## LEVER CLAMPS

8	11.5315.048.050	MMX Clamp, Silver, Lever (Stainless Steel Bolt T25) - Guide ULT/RSC/RS/RE/R, Level ULT/TLM/TL, Code RSC/R, DB5 Elixir 9/7/CR Mag/X0/ XX, Qty 1
8	11.5315.048.070	MMX Clamp, Black, Lever (Stainless Steel Bolt T25) - Guide ULT/RSC/RS/RE/R, Level ULT/TLM/TL, Code RSC/R, DB5 Elixir 9/7/CR Mag/X0/ XX, Qty 1
8	11.5315.048.080	MMX Clamp, Black, Lever (Ti Bolt T25) - Guide ULT/RSC/RS/RE/R, Level ULT/TLM/TL, Code RSC/R, DB5 Elixir 9/7/CR Mag/X0/ XX, Qty 1

## TOOLS

9	00.5318.015.001	SRAM Tool Bleeding Edge (works with Avid/SRAM Pro Bleed Kits) -S4/Monoblock Calipers, Guide Ultimate/RSC (B1)/RS (B1)/R(B1), Level Ult/Level TLM, Code RSC/R
---	-----------------	--------------------------------------------------------------------------------------------------------------------------------------------------------------

# GUIDE R - HYDRAULIC DISC BRAKE - LEVERS A1-B1 (2015-2018)



**Notes:**

- 1. B1 (2017) generation was upgraded to the S4 caliper and uses S4 caliper kits & S4 Hydraulic Line Kit.
- 2. SRAM Tool Bleeding Edge needed to bleed S4 Calipers (ships in current SRAM Bleed kits)

## LEVER SPARES

No.	Part Number	Description
1	11.5018.046.000	Lever Assembly, Aluminum lever Gen 2, Black (assembled, no hose, and includes barb and olive) - Guide R
2	11.5018.003.012	Lever Blade Aluminum V2 Black - Guide R/RE Qty 1
3	11.5018.005.008	Lever Internals Gen 2 Guide R/RE/DB5/ Code R Qty 1
4	11.5018.022.000	Reservoir Cap Kit (includes reservoir cap, bladder and hardware) - Guide R/RE/RS/RSC/Ultimate/DB5

## HYDRAULIC FITTINGS

5	11.5309.766.000	Hydraulic Disc Brake Compression Hose Nut, Qty 5
6	11.5378.803.004	Hydraulic Disc Brake Hose Fitting Kit (includes 1 threaded hosebarb, 1 red comp fitting) Qty 1 - Stealthmajig
6	11.5378.803.002	Hydraulic Disc Brake Hose Fitting Kit (includes 5 threaded hosebarbs, 5 red comp fittings, 1 T8 Torx) Qty 5
6	11.5378.803.003	Hydraulic Disc Brake Hose Fitting Kit (includes 50 threaded hosebarbs, 50 red comp fittings, 1 T8 Torx) Qty 50

## HYDRAULIC LINES A1 (2015-2016)

7	00.5016.168.130	Hydraulic Line Kit - Guide RSC/Guide RS/Guide R/DB5/Level TL, 2000mm, Stainless, Black, Qty 1
7	00.5016.168.140	Hydraulic Line Kit - Guide RSC/Guide RS/Guide R/DB5/Level TL, 2000mm, Stainless, White, Qty 1

## HYDRAULIC LINES B1 (2017+) S4 CALIPER

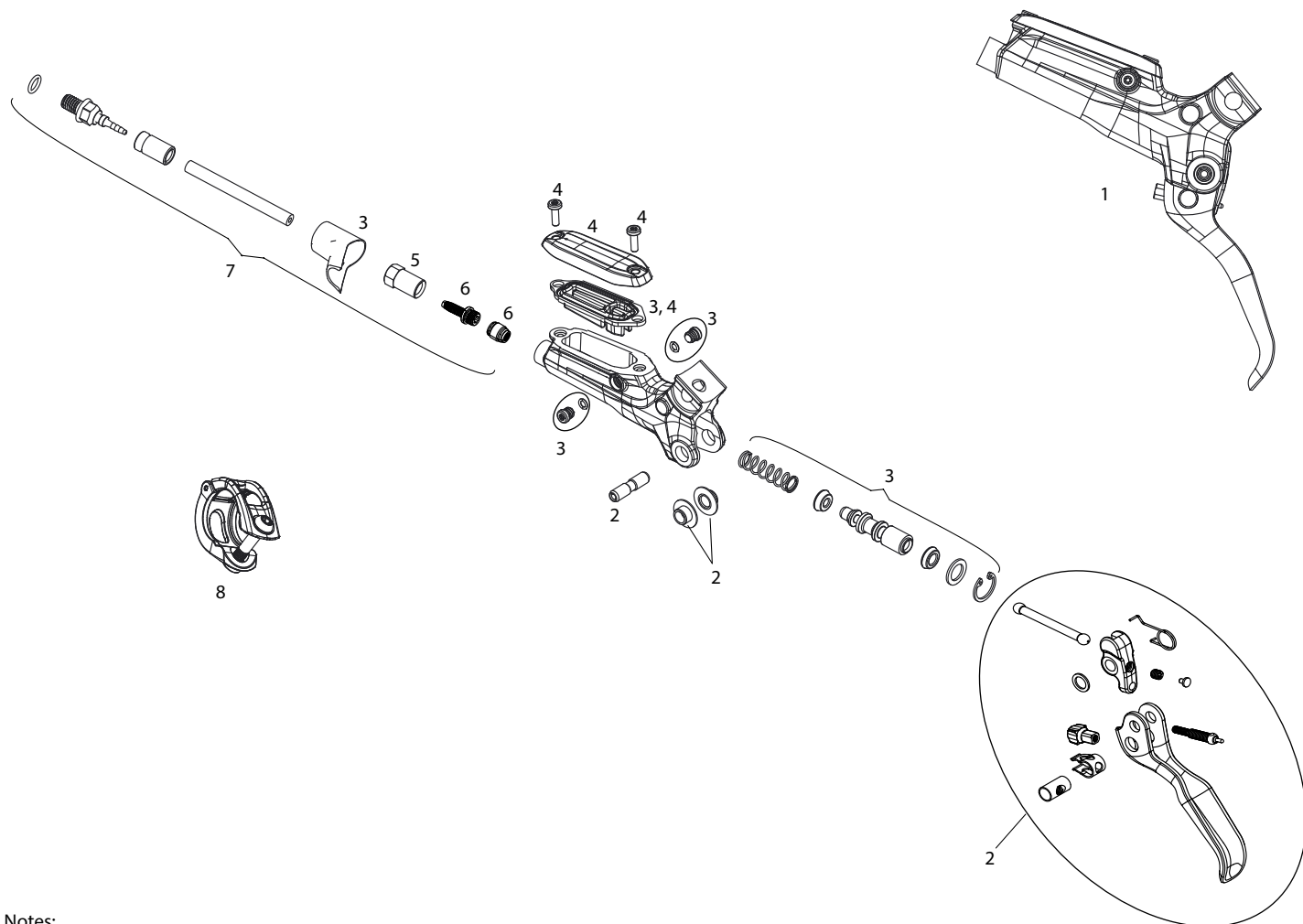
7	00.5016.168.150	Hydraulic Line Kit - S4 Caliper - Guide Ultimate/Guide RSC (B1)/Guide RS(B1)/Guide R (B1), 2000mm, Black, Qty 1
7	00.5016.168.160	Hydraulic Line Kit - S4 Caliper - Guide Ultimate/Guide RSC (B1)/Guide RS(B1)/Guide R (B1), 2000mm, White, Qty 1

## LEVER CLAMPS

8	11.5315.048.050	MMX Clamp, Silver, Lever (Stainless Steel Bolt T25) - Guide ULT/RSC/RS/RE/R, Level ULT/TLM/TL, Code RSC/R, DB5 Elixir 9/7/CR Mag/X0/ XX, Qty 1
8	11.5315.048.070	MMX Clamp, Black, Lever (Stainless Steel Bolt T25) - Guide ULT/RSC/RS/RE/R, Level ULT/TLM/TL, Code RSC/R, DB5 Elixir 9/7/CR Mag/X0/ XX, Qty 1
8	11.5315.048.080	MMX Clamp, Black, Lever (Ti Bolt T25) - Guide ULT/RSC/RS/RE/R, Level ULT/TLM/TL, Code RSC/R, DB5 Elixir 9/7/CR Mag/X0/ XX, Qty 1

## TOOLS

9	00.5318.015.001	SRAM Tool Bleeding Edge (works with Avid/SRAM Pro Bleed Kits) -S4/Monoblock Calipers, Guide Ultimate/RSC (B1)/RS (B1)/R(B1), Level Ult/Level TLM, Code RSC/R
---	-----------------	--------------------------------------------------------------------------------------------------------------------------------------------------------------



Notes:

1. Guide RE brakes use Guide R styled Levers with Code-styled calipers.

LEVER SPARES

No. Part Number Description

- 1 11.5018.046.013 Lever Assembly, Aluminum lever Gen 2, Black (assembled, no hose, and includes barb and olive) - Guide RE
- 2 11.5018.003.012 Lever Blade Aluminum V2 Black - Guide R/RE Qty 1
- 3 11.5018.005.008 Lever Internals Gen 2 Guide R/RE/DB5/ Code R Qty 1
- 4 11.5018.022.000 Reservoir Cap Kit (includes reservoir cap, bladder and hardware) - Guide R/RE/RS/RSC/Ultimate/DB5

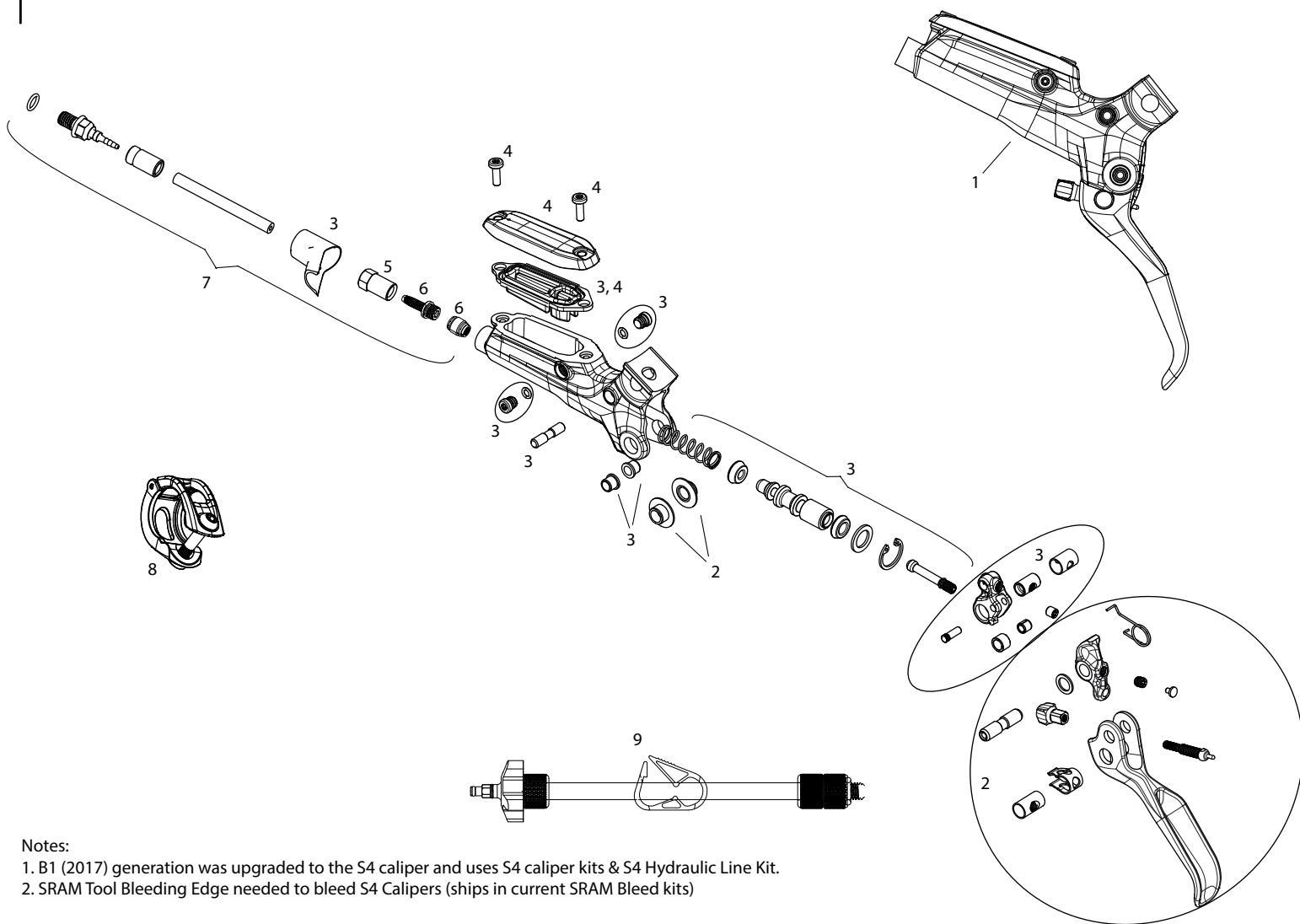
HYDRAULIC LINES & FITTINGS

- 5 11.5309.766.000 Hydraulic Disc Brake Compression Hose Nut, Qty 5
- 6 11.5378.803.004 Hydraulic Disc Brake Hose Fitting Kit (includes 1 threaded hosebarb, 1 red comp fitting) Qty 1 - Stealthmajig
- 6 11.5378.803.002 Hydraulic Disc Brake Hose Fitting Kit (includes 5 threaded hosebarbs, 5 red comp fittings, 1 T8 Torx) Qty 5
- 6 11.5378.803.003 Hydraulic Disc Brake Hose Fitting Kit (includes 50 threaded hosebarbs, 50 red comp fittings, 1 T8 Torx) Qty 50
- 7 00.5016.168.010 Hydraulic Line Kit - Code/Code R/Elixir 3/Elixir 1/Juicy 3/DB 3/DB 1/Level T/Level/Guide RE, 2000mm, Black, Qty 1
- 7 00.5016.168.020 Hydraulic Line Kit - Code/Code R/Elixir 3/Elixir 1/Juicy 3/DB 3/DB 1/Level T/Level/Guide RE, 2000mm, White, Qty 1

LEVER CLAMPS

- 8 11.5315.048.050 MMX Clamp, Silver, Lever (Stainless Steel Bolt T25) - Guide ULT/RSC/RS/RE/R, Level ULT/TLM/TL, Code RSC/R, DB5 Elixir 9/7/CR Mag/X0/ XX, Qty 1
- 8 11.5315.048.070 MMX Clamp, Black, Lever (Stainless Steel Bolt T25) - Guide ULT/RSC/RS/RE/R, Level ULT/TLM/TL, Code RSC/R, DB5 Elixir 9/7/CR Mag/X0/ XX, Qty 1
- 8 11.5315.048.080 MMX Clamp, Black, Lever (Ti Bolt T25) - Guide ULT/RSC/RS/RE/R, Level ULT/TLM/TL, Code RSC/R, DB5 Elixir 9/7/CR Mag/X0/ XX, Qty 1

# GUIDE RS - HYDRAULIC DISC BRAKE - LEVERS A1-B1 (2015-2018)



**Notes:**

- 1. B1 (2017) generation was upgraded to the S4 caliper and uses S4 caliper kits & S4 Hydraulic Line Kit.
- 2. SRAM Tool Bleeding Edge needed to bleed S4 Calipers (ships in current SRAM Bleed kits)

## LEVER SPARES

No.	Part Number	Description
1	11.5018.046.002	Lever Assembly, Aluminum lever Gen 2, Black (assembled, no hose, and includes barb and olive) - Guide RS
2	11.5018.003.013	Lever Blade Aluminum V2 Black - Guide RS Qty 1
3	11.5018.005.009	Lever Internals Gen 2 Guide RS Qty 1
4	11.5018.022.000	Reservoir Cap Kit (includes reservoir cap, bladder and hardware) - Guide R/RE/RS/RSC/Ultimate/DB5

## HYDRAULIC FITTINGS

5	11.5309.766.000	Hydraulic Disc Brake Compression Hose Nut, Qty 5
6	11.5378.803.004	Hydraulic Disc Brake Hose Fitting Kit (includes 1 threaded hosebarb, 1 red comp fitting) Qty 1 - Stealthmajig
6	11.5378.803.002	Hydraulic Disc Brake Hose Fitting Kit (includes 5 threaded hosebarbs, 5 red comp fittings, 1 T8 Torx) Qty 5
6	11.5378.803.003	Hydraulic Disc Brake Hose Fitting Kit (includes 50 threaded hosebarbs, 50 red comp fittings, 1 T8 Torx) Qty 50

## HYDRAULIC LINES A1 (2015-2016)

7	00.5016.168.130	Hydraulic Line Kit - Guide RSC/Guide RS/Guide R/DB5/Level TL, 2000mm, Stainless, Black, Qty 1
7	00.5016.168.140	Hydraulic Line Kit - Guide RSC/Guide RS/Guide R/DB5/Level TL, 2000mm, Stainless, White, Qty 1

## HYDRAULIC LINES B1 (2017+) S4 CALIPER

7	00.5016.168.150	Hydraulic Line Kit - S4 Caliper - Guide Ultimate/Guide RSC (B1)/Guide RS(B1)/Guide R(B1), 2000mm, Black, Qty 1
7	00.5016.168.160	Hydraulic Line Kit - S4 Caliper - Guide Ultimate/Guide RSC (B1)/Guide RS(B1)/Guide R(B1), 2000mm, White, Qty 1

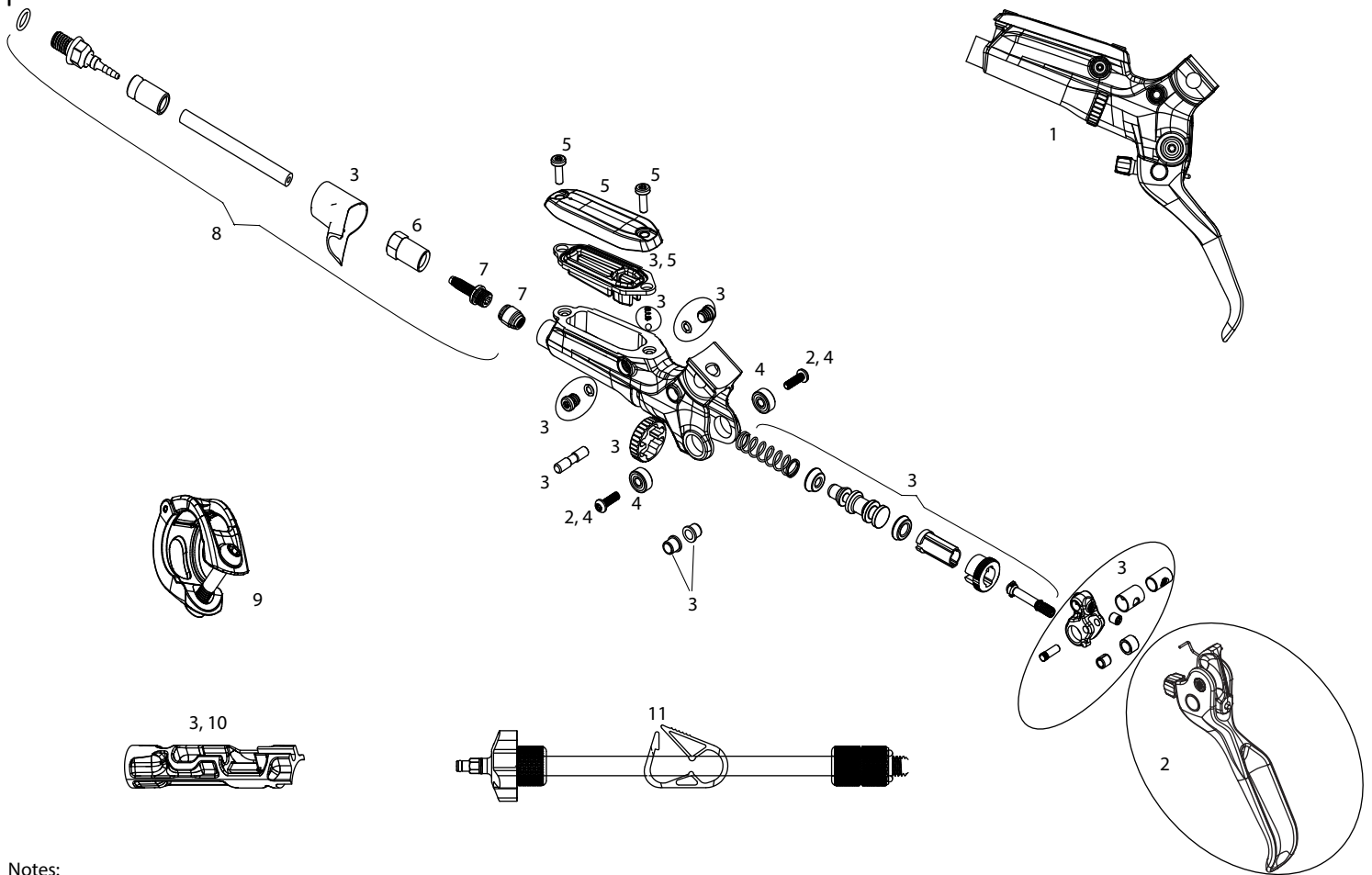
## LEVER CLAMPS

8	11.5315.048.050	MMX Clamp, Silver, Lever (Stainless Steel Bolt T25) - Guide ULT/RSC/RS/RE/R, Level ULT/TLM/TL, Code RSC/R, DB5 Elixir 9/7/CR Mag/X0/ XX, Qty 1
8	11.5315.048.070	MMX Clamp, Black, Lever (Stainless Steel Bolt T25) - Guide ULT/RSC/RS/RE/R, Level ULT/TLM/TL, Code RSC/R, DB5 Elixir 9/7/CR Mag/X0/ XX, Qty 1
8	11.5315.048.080	MMX Clamp, Black, Lever (Ti Bolt T25) - Guide ULT/RSC/RS/RE/R, Level ULT/TLM/TL, Code RSC/R, DB5 Elixir 9/7/CR Mag/X0/ XX, Qty 1

## TOOLS

9	00.5318.015.001	SRAM Tool Bleeding Edge (works with Avid/SRAM Pro Bleed Kits) -S4/Monoblock Calipers, Guide Ultimate/RSC (B1)/RS (B1)/R(B1), Level Ult/Level TLM, Code RSC/R
---	-----------------	--------------------------------------------------------------------------------------------------------------------------------------------------------------

# GUIDE RSC - HYDRAULIC DISC BRAKE - LEVERS A1-B1 (2015-2018)



## Notes:

1. B1 (2017) generation was upgraded to the S4 caliper and uses S4 caliper kits & S4 Hydraulic Line Kit.
2. SRAM Tool Bleeding Edge needed to bleed S4 Calipers (ships in current SRAM Bleed kits)

## LEVER SPARES

No.	Part Number	Description
1	11.5018.046.004	Lever Assembly, Aluminum lever Gen 2, Black Ano (assembled,no hose, and includes barb and olive) - Guide RSC
1	11.5018.046.005	Lever Assembly, Aluminum lever Gen 2, Silver Ano (assembled,no hose, and includes barb and olive) - Guide RSC
2	11.5018.003.014	Lever Blade Aluminum V2 Black - Guide RSC/Code RSC Qty 1
3	11.5018.005.010	Lever Internals Gen 2 Guide RSC/Ultimate/ Code RSC Qty 1
4	11.5018.023.000	Lever Bearing Kit (includes two 1/8x3/8x5/32 bearings and hardware) - Guide RSC/Ultimate/X0 Trail/Code RSC
5	11.5018.022.000	Reservoir Cap Kit (includes reservoir cap, bladder and hardware) - Guide R/RE/RS/RSC/Ultimate/DB5

## HYDRAULIC FITTINGS

6	11.5309.766.000	Hydraulic Disc Brake Compression Hose Nut, Qty 5
7	11.5378.803.004	Hydraulic Disc Brake Hose Fitting Kit (includes 1 threaded hosebarb, 1 red comp fitting) Qty 1 - Stealthmajig
7	11.5378.803.002	Hydraulic Disc Brake Hose Fitting Kit (includes 5 threaded hosebarbs, 5 red comp fittings, 1 T8 Torx) Qty 5
7	11.5378.803.003	Hydraulic Disc Brake Hose Fitting Kit (includes 50 threadedhosebarbs, 50 red comp fittings, 1 T8 Torx) Qty 50

## HYDRAULIC LINES A1 (2015-2016)

8	00.5016.168.130	Hydraulic Line Kit - Guide RSC/Guide RS/Guide R/DB5/Level TL, 2000mm, Stainless, Black, Qty 1
8	00.5016.168.140	Hydraulic Line Kit - Guide RSC/Guide RS/Guide R/DB5/Level TL, 2000mm, Stainless, White, Qty 1

## HYDRAULIC LINES B1 (2017+) S4 CALIPER

8	00.5016.168.150	Hydraulic Line Kit - S4 Caliper - Guide Ultimate/Guide RSC (B1)/Guide RS(B1)/Guide R(B1), 2000mm, Black, Qty 1
8	00.5016.168.160	Hydraulic Line Kit - S4 Caliper - Guide Ultimate/Guide RSC (B1)/Guide RS(B1)/Guide R(B1), 2000mm, White, Qty 1

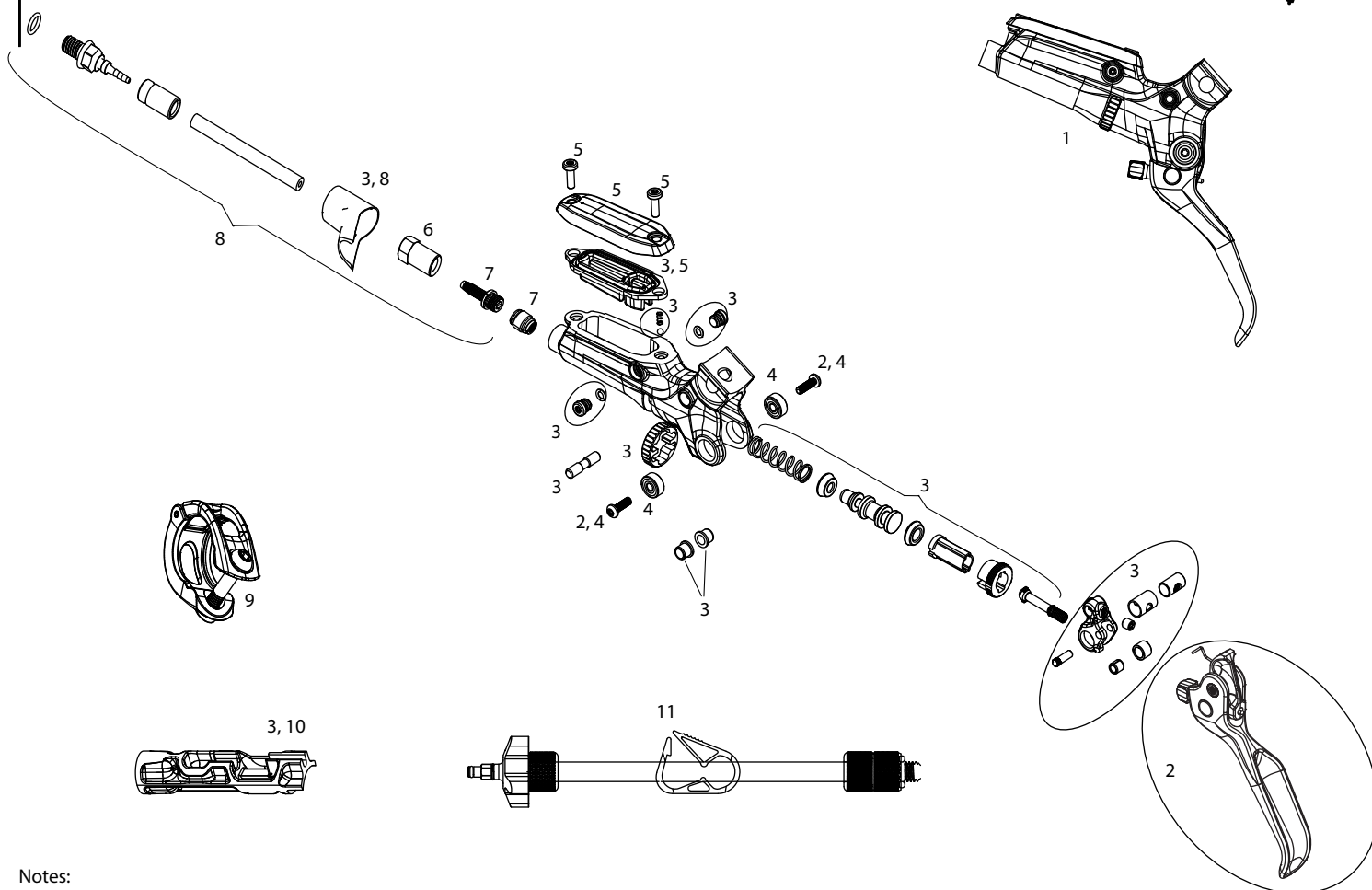
## LEVER CLAMPS

9	11.5315.048.050	MMX Clamp, Silver, Lever (Stainless Steel Bolt T25) - GuideULT/RSC/RS/RE/R,Level ULT/TLM/TL, Code RSC/R, DB5 Elixir 9/7/CR Mag/X0/ XX, Qty 1
9	11.5315.048.070	MMX Clamp, Black, Lever (Stainless Steel Bolt T25) - Guide ULT/RSC/RS/RE/R,Level ULT/TLM/TL, Code RSC/R, DB5 Elixir 9/7/CR Mag/X0/ XX, Qty 1
9	11.5315.048.080	MMX Clamp, Black, Lever (Ti Bolt T25) - Guide ULT/RSC/RS/RE/R,Level ULT/TLM/TL, Code RSC/R, DB5 Elixir 9/7/CR Mag/X0/ XX, Qty 1

## TOOLS

10	00.5318.015.000	SRAM Guide Lever Internals Assembly Tool (for setting pushrod distance and installing internals)
11	00.5318.015.001	SRAM Tool Bleeding Edge (works with Avid/SRAM Pro Bleed Kits) -S4/Monoblock Calipers, Guide Ultimate/RSC (B1)/RS (B1)/R(B1),Level Ult/Level TLM, Code RSC/R

# GUIDE ULTIMATE - HYDRAULIC DISC BRAKE - LEVERS A1(2015-2018)



## Notes:

1. Lever Internals kit is pre-assembled
2. SRAM Tool Bleeding Edge needed to bleed Guide Ultimate brakes (ships in current SRAM Bleed kits)
3. SRAM Guide Lever Internals Assembly Tool needed to service lever internals

## LEVER SPARES

No. Part Number Description

1	11.5018.046.006	Lever Assembly, Carbon lever Gen 2, Artic Grey (assembled, no hose, and includes barb and olive) - Guide Ultimate
1	11.5018.046.007	Lever Assembly, Carbon lever Gen 2, Black Ano (assembled, nohose, and includes barb and olive) - Guide Ultimate
2	11.5018.003.015	Lever Blade Carbon V2 Black - Guide Ultimate Qty 2
3	11.5018.005.010	Lever Internals Gen 2 Guide RSC/Ulimate/ Code RSC Qty 1
4	11.5018.023.000	Lever Bearing Kit (includes two 1/8x3/8x5/32 bearings and hardware) - Guide RSC/Ulimate/X0 Trail/Code RSC
5	11.5018.022.000	Reservoir Cap Kit (includes reservoir cap, bladder and hardware) - Guide R/RE/RS/RSC/Ulimate/DB5

## HYDRAULIC LINES & FITTINGS

6	11.5309.766.000	Hydraulic Disc Brake Compression Hose Nut, Qty 5
7	11.5378.803.004	Hydraulic Disc Brake Hose Fitting Kit (includes 1 threaded hosebarb, 1 red comp fitting) Qty 1 - Stealthmajig
7	11.5378.803.002	Hydraulic Disc Brake Hose Fitting Kit (includes 5 threaded hosebarbs, 5 red comp fittings, 1 T8 Torx) Qty 5
7	11.5378.803.003	Hydraulic Disc Brake Hose Fitting Kit (includes 50 threadedhosebarbs, 50 red comp fittings, 1 T8 Torx) Qty 50
8	00.5016.168.150	Hydraulic Line Kit - S4 Caliper - Guide Ultimate/Guide RSC (B1)/Guide RS(B1)/Guide R(B1), 2000mm, Black, Qty 1
8	00.5016.168.160	Hydraulic Line Kit - S4 Caliper - Guide Ultimate/Guide RSC (B1)/Guide RS(B1)/Guide R(B1), 2000mm, White, Qty 1

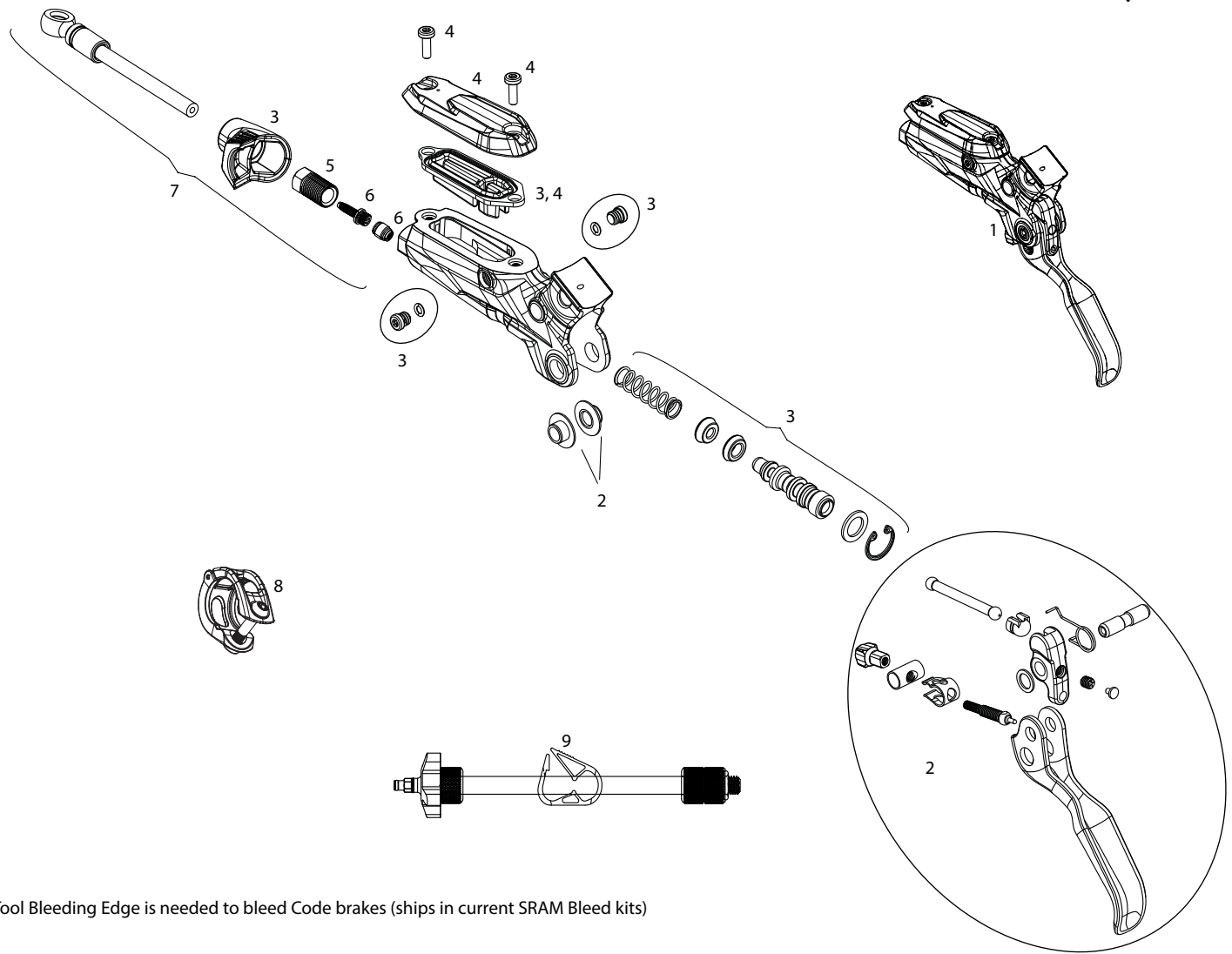
## LEVER CLAMPS

9	11.5315.048.050	MMX Clamp, Silver, Lever (Stainless Steel Bolt T25) - GuideULT/RSC/RS/RE/R,Level ULT/TLM/TL, Code RSC/R, DB5 Elixir 9/7/CR Mag/X0/ XX, Qty 1
9	11.5315.048.070	MMX Clamp, Black, Lever (Stainless Steel Bolt T25) - Guide ULT/RSC/RS/RE/R,Level ULT/TLM/TL, Code RSC/R, DB5 Elixir 9/7/CR Mag/X0/ XX, Qty 1
9	11.5315.048.080	MMX Clamp, Black, Lever (Ti Bolt T25) - Guide ULT/RSC/RS/RE/R,Level ULT/TLM/TL, Code RSC/R, DB5 Elixir 9/7/CR Mag/X0/ XX, Qty 1

## TOOLS

10	00.5318.015.000	SRAM Guide Lever Internals Assembly Tool (for setting pushrod distance and installing internals)
11	00.5318.015.001	SRAM Tool Bleeding Edge (works with Avid/SRAM Pro Bleed Kits) -S4/Monoblock Calipers, Guide Ultimate/RSC (B1)/RS (B1)/R(B1),Level Ult/Level TLM, Code RSC/R

# CODE R - HYDRAULIC DISC BRAKE - LEVERS B1(2018)



**Notes:**

1. SRAM Tool Bleeding Edge is needed to bleed Code brakes (ships in current SRAM Bleed kits)

## LEVER SPARES

No. Part Number Description

- 1 11.5018.046.014 Lever Assembly, Aluminum lever Gen 2, Dark Grey (assembled, no hose, and includes barb and olive) - Code R
- 1 11.5018.046.015 Lever Assembly, Aluminum lever Gen 2, Diffusion Black (assembled, no hose, and includes barb and olive) - Code R
- 2 11.5018.003.019 Lever Blade Aluminum Black - CODE R Qty 1
- 3 11.5018.005.008 Lever Internals Gen 2 Guide R/RE/DB5/ Code R Qty 1
- 4 11.5018.022.002 Reservoir Cap Kit (includes reservoir cap, bladder and hardware) - Code R B1/RSC A1

## HYDRAULIC LINES & FITTINGS

- 5 11.5309.766.000 Hydraulic Disc Brake Compression Hose Nut, Qty 5
- 6 11.5378.803.004 Hydraulic Disc Brake Hose Fitting Kit (includes 1 threaded hosebarb, 1 red comp fitting) Qty 1 - Stealthmajig
- 6 11.5378.803.002 Hydraulic Disc Brake Hose Fitting Kit (includes 5 threaded hosebarbs, 5 red comp fittings, 1 T8 Torx) Qty 5
- 6 11.5378.803.003 Hydraulic Disc Brake Hose Fitting Kit (includes 50 threaded hosebarbs, 50 red comp fittings, 1 T8 Torx) Qty 50
- 7 00.5016.168.170 Hydraulic Line Kit - Monoblock, 2000mm, Black, Qty 1 - Level Ultimate, Level TLM, CODE R/RSC B1 (2018+)

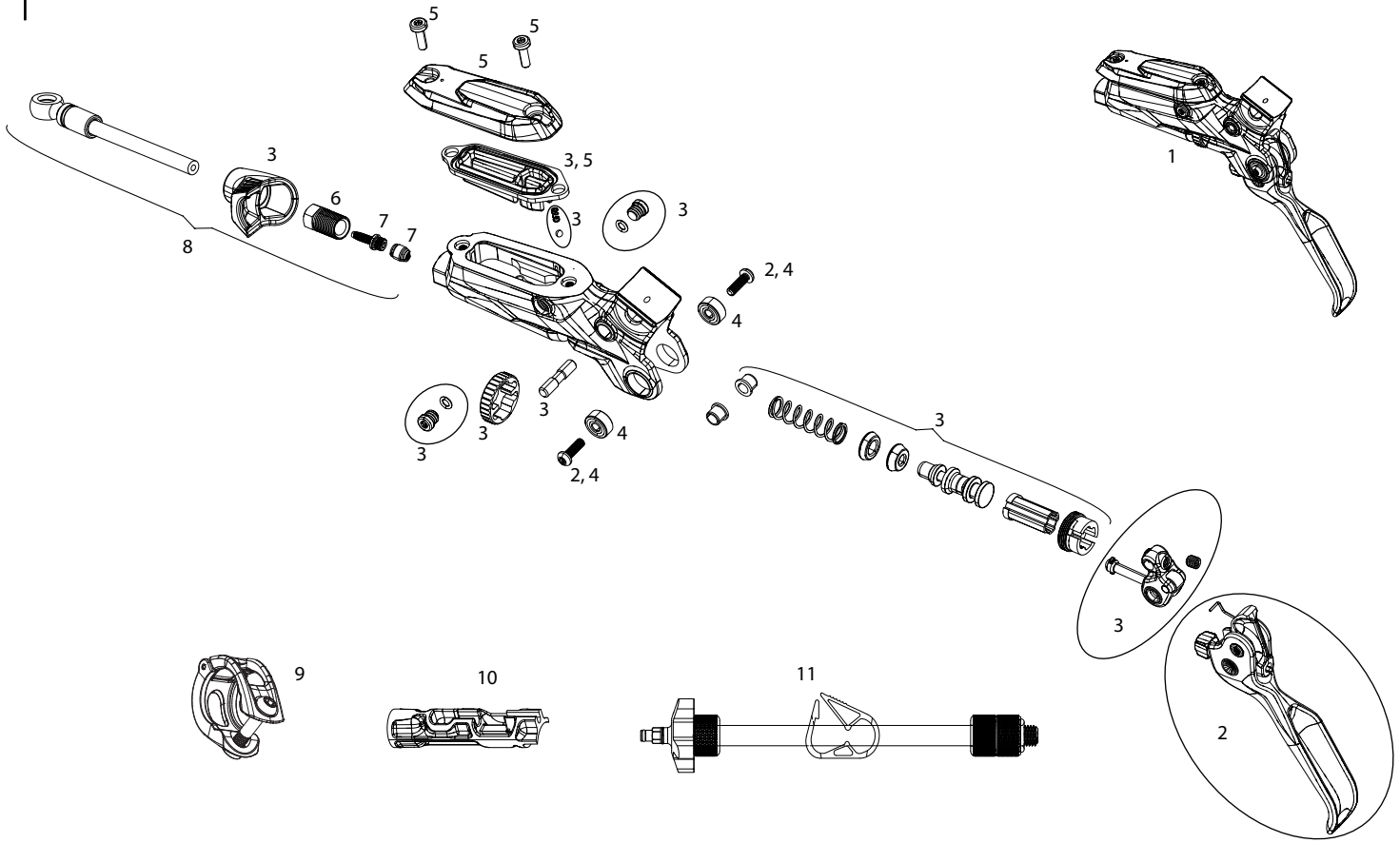
## LEVER CLAMPS

- 8 11.5315.048.050 MMX Clamp, Silver, Lever (Stainless Steel Bolt T25) - Guide ULT/RSC/RS/RE/R, Level ULT/TLM/TL, Code RSC/R, DB5 Elixir 9/7/CR Mag/X0/ XX, Qty 1
- 8 11.5315.048.070 MMX Clamp, Black, Lever (Stainless Steel Bolt T25) - Guide ULT/RSC/RS/RE/R, Level ULT/TLM/TL, Code RSC/R, DB5 Elixir 9/7/CR Mag/X0/ XX, Qty 1
- 8 11.5315.048.080 MMX Clamp, Black, Lever (Ti Bolt T25) - Guide ULT/RSC/RS/RE/R, Level ULT/TLM/TL, Code RSC/R, DB5 Elixir 9/7/CR Mag/X0/ XX, Qty 1

## TOOLS

- 9 00.5318.015.001 SRAM Tool Bleeding Edge (works with Avid/SRAM Pro Bleed Kits) -S4/Monoblock Calipers, Guide Ultimate/RSC (B1)/RS (B1)/R(B1), Level Ult/Level TLM, Code RSC/R

# CODE RSC - HYDRAULIC DISC BRAKE - LEVERS A1(2018)



## Notes:

1. SRAM Tool Bleeding Edge is needed to bleed Code brakes (ships in current SRAM Bleed kits)

## LEVER SPARES

No. Part Number Description

1	11.5018.046.016	Lever Assembly, Aluminum lever Gen 2, Black (assembled, no hose, and includes barb and olive) - Code RSC
2	11.5018.003.014	Lever Blade Aluminum V2 Black - Guide RSC/Code RSC Qty 1
3	11.5018.005.010	Lever Internals Gen 2 Guide RSC/Ultimate/ Code RSC Qty 1
4	11.5018.023.000	Lever Bearing Kit (includes two 1/8x3/8x5/32 bearings and hardware) - Guide RSC/Ultimate/X0 Trail/Code RSC
5	11.5018.022.002	Reservoir Cap Kit (includes reservoir cap, bladder and hardware) - Code R B1/RSC A1

## HYDRAULIC LINES & FITTINGS

6	11.5309.766.000	Hydraulic Disc Brake Compression Hose Nut, Qty 5
7	11.5378.803.004	Hydraulic Disc Brake Hose Fitting Kit (includes 1 threaded hosebarb, 1 red comp fitting) Qty 1 - Stealthmajig
7	11.5378.803.002	Hydraulic Disc Brake Hose Fitting Kit (includes 5 threaded hosebarbs, 5 red comp fittings, 1 T8 Torx) Qty 5
7	11.5378.803.003	Hydraulic Disc Brake Hose Fitting Kit (includes 50 threaded hosebarbs, 50 red comp fittings, 1 T8 Torx) Qty 50
8	00.5016.168.170	Hydraulic Line Kit - Monoblock, 2000mm, Black, Qty 1 - Level Ultimate, Level TLM, CODE R/RSC B1 (2018+)

## LEVER CLAMPS

9	11.5315.048.050	MMX Clamp, Silver, Lever (Stainless Steel Bolt T25) - Guide ULT/RSC/RS/RE/R, Level ULT/TLM/TL, Code RSC/R, DB5 Elixir 9/7/CR Mag/X0/ XX, Qty 1
9	11.5315.048.070	MMX Clamp, Black, Lever (Stainless Steel Bolt T25) - Guide ULT/RSC/RS/RE/R, Level ULT/TLM/TL, Code RSC/R, DB5 Elixir 9/7/CR Mag/X0/ XX, Qty 1
9	11.5315.048.080	MMX Clamp, Black, Lever (Ti Bolt T25) - Guide ULT/RSC/RS/RE/R, Level ULT/TLM/TL, Code RSC/R, DB5 Elixir 9/7/CR Mag/X0/ XX, Qty 1

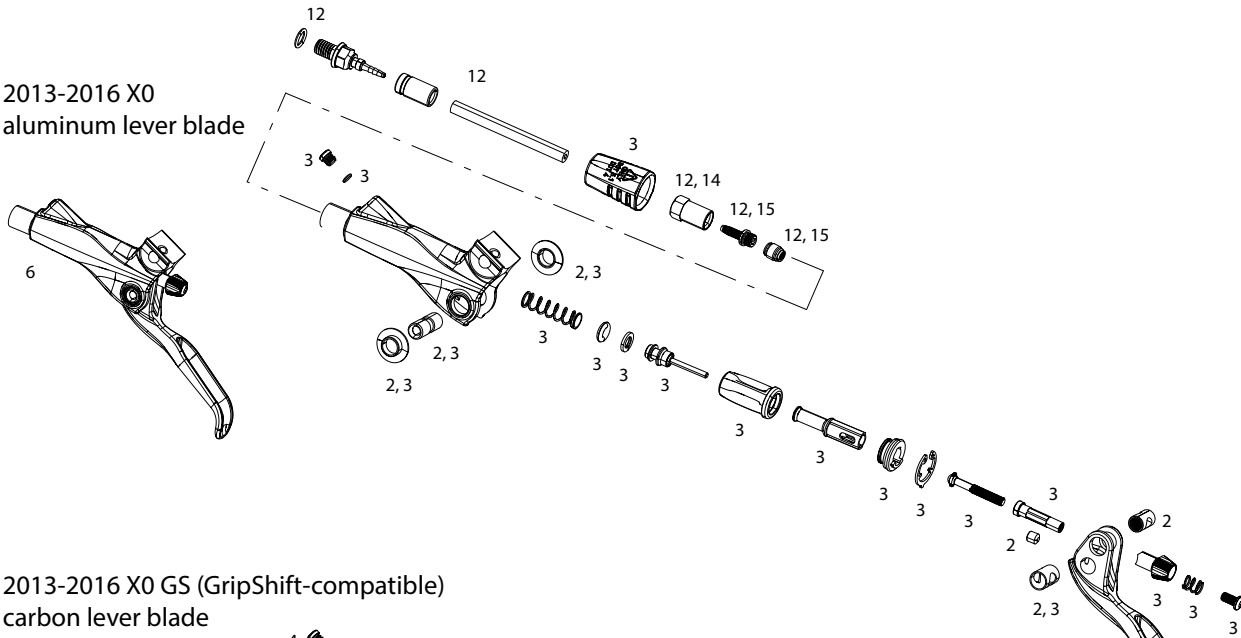
## TOOLS

10	00.5318.015.000	SRAM Guide Lever Internals Assembly Tool (for setting pushrod distance and installing internals)
11	00.5318.015.001	SRAM Tool Bleeding Edge (works with Avid/SRAM Pro Bleed Kits) -S4/Monoblock Calipers, Guide Ultimate/RSC (B1)/RS (B1)/R(B1), Level Ult/Level TLM, Code RSC/R

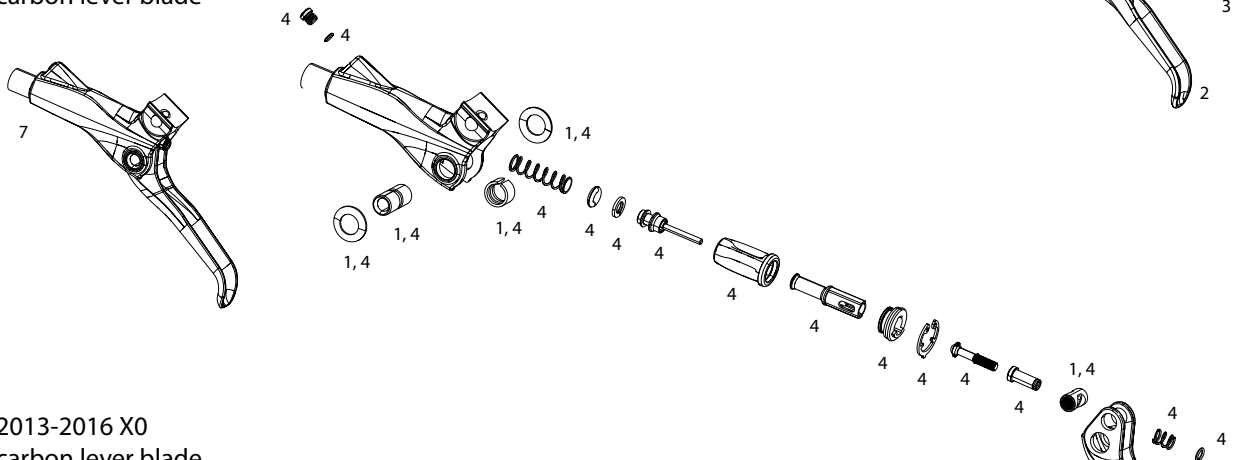




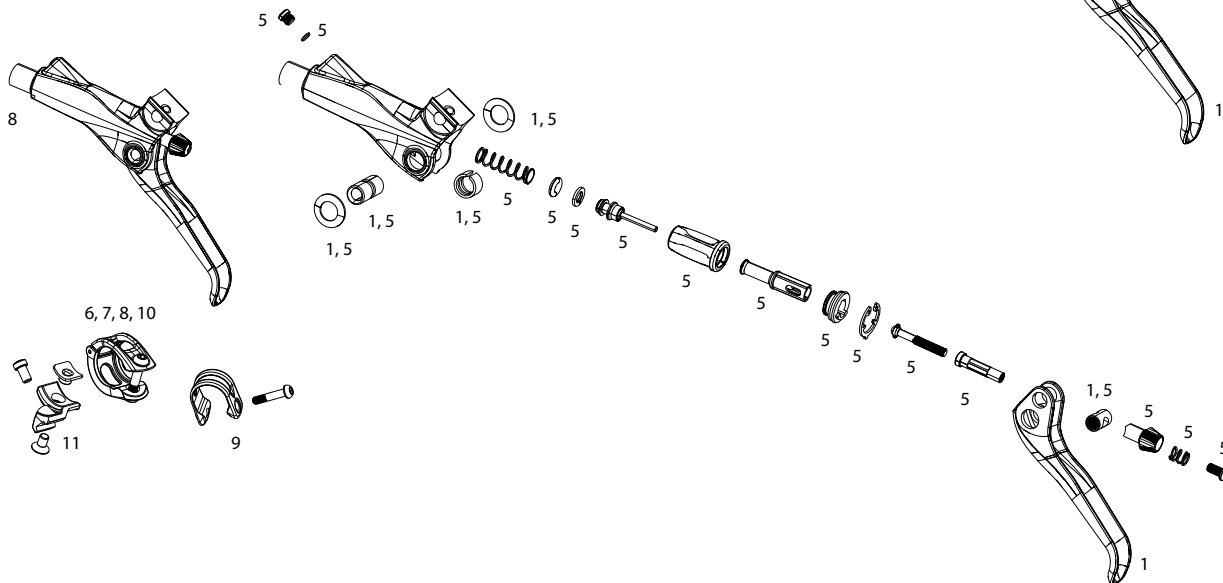
2013-2016 X0  
aluminum lever blade



2013-2016 X0 GS (GripShift-compatible)  
carbon lever blade



2013-2016 X0  
carbon lever blade



Notes:  
1. Lever Internals kit is pre-assembled



## LEVER SPARES

No. Part Number Description

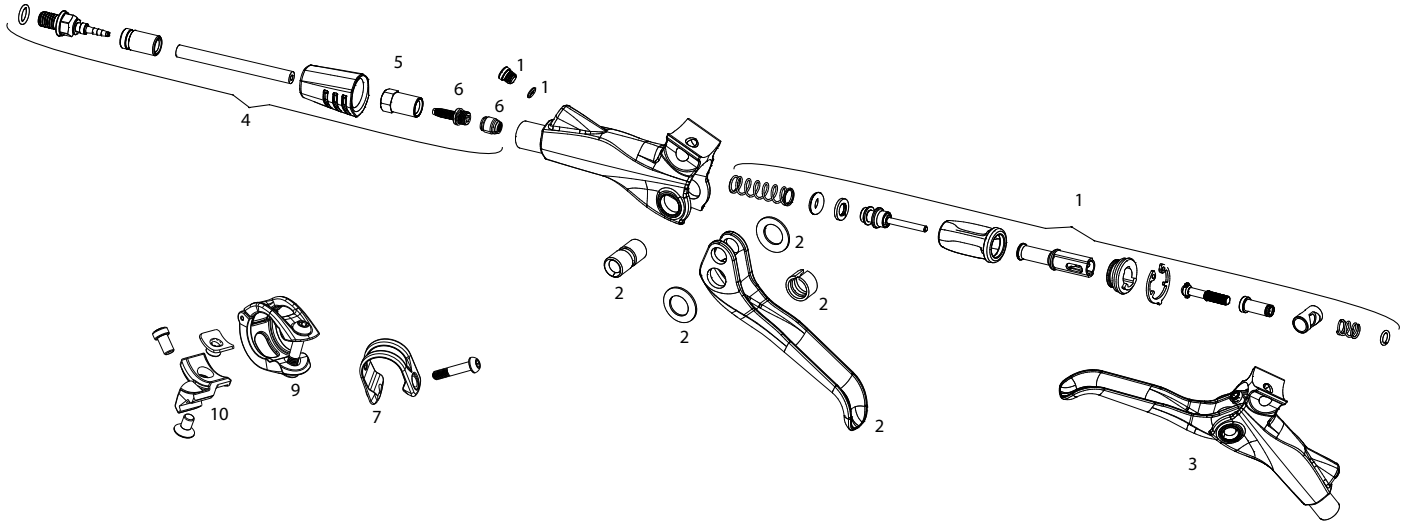
1	11.5018.003.004	Lever Blade Carbon - X0 Qty 1 B1 (2012-2016)
2	11.5018.003.005	Lever Blade Aluminum Black - X0 Black Qty 1 B1 (2012-2016)
3	11.5015.064.050	Lever Internals/Service Kit, Aluminum Blade - Elixir 9/ Elixir 7/ Elixir 7 Trail Elixir Code-R/X0 2013-2016
4	11.5015.064.070	Lever Internals/Service kit Carbon Qty 1 - 2012-2016 XX/XXWC/2013-2016 X0 GS
5	11.5015.064.060	Lever Internals/Service Kit, Carbon Blade -Elixir 9/Elixir 7/Elixir 7 Trail/Code-R /X0 2013-2016
6	11.5018.004.010	Lever Assy X0 Aluminum w/External Reach Adjuster, Hinged Clamp/MMX compatible, Black/Red, Aluminum Lever (assembled, nohose, includes hinged clamp) 2013-2016
6	11.5018.004.011	Lever Assy X0 Aluminum w/External Reach Adjuster, Hinged Clamp/MMX compatible, Black/Black, Aluminum Lever (assembled, no hose, includes hinged clamp) 2013-2016
6	11.5018.004.012	Lever Assy X0 Aluminum w/External Reach Adjuster, Hinged Clamp/MMX compatible, Polished Silver, Aluminum Lever (assembled, no hose, includes hinged clamp) 2013-2016
7	11.5018.004.007	Lever Assy X0 GS Carbon (tooled reach adjust), Hinged Clamp/MMX compatible, Black/Red, Carbon Lever (assembled, no hose, includes hinged clamp) 2013-2016
7	11.5018.004.008	Lever Assy X0 GS Carbon (tooled reach adjust), Hinged Clamp/MMX compatible, Black/Black, Carbon Lever (assembled, no hose, includes hinged clamp) 2013-2016
7	11.5018.004.009	Lever Assy X0 GS Carbon (tooled reach adjust), Hinged Clamp/MMX compatible, Polished Silver, Carbon Lever (assembled, nohose, includes hinged clamp) 2013-2016
8	11.5018.004.004	Lever Assy X0 Carbon w/External Reach Adjuster, Hinged Clamp/MMX compatible, Black/Red, Carbon Lever (assembled, no hose, includes hinged clamp) 2013-2016
8	11.5018.004.005	Lever Assy X0 Carbon w/External Reach Adjuster, Hinged Clamp/MMX compatible, Black/Black, Carbon Lever (assembled, no hose, includes hinged clamp) 2013-2016
8	11.5018.004.006	Lever Assy X0 Carbon w/External Reach Adjuster, Hinged Clamp/MMX compatible, Polished Silver, Carbon Lever (assembled, no hose, includes hinged clamp) 2013-2016

## HYDRAULIC LINES & FITTINGS

12	00.5016.168.050	Hydraulic Line Kit - Elixir 5, Elixir 7, Elixir 9, Elixir R, Elixir CR, Elixir X0, Elixir CR Mag, 2000mm, Stainless, Black, Qty 1
12	00.5016.168.060	Hydraulic Line Kit - Elixir 5, Elixir 7, Elixir 9, Elixir R, Elixir CR, Elixir X0, Elixir CR Mag, 2000mm, Stainless, White, Qty 1
14	11.5309.766.000	Hydraulic Disc Brake Compression Hose Nut, Qty 5
15	11.5378.803.002	Hydraulic Disc Brake Hose Fitting Kit (includes 5 threaded hosebarbs, 5 red comp fittings, 1 T8 Torx) Qty 5
15	11.5378.803.003	Hydraulic Disc Brake Hose Fitting Kit (includes 50 threaded hosebarbs, 50 red comp fittings, 1 T8 Torx) Qty 50

## LEVER CLAMPS

9	11.5315.048.010	Discrete Bar Clamp, Black, Lever (Stainless Steel Bolt T25) - Guide ULT/RSC/RS/RE/R, Level ULT/TLM/TL, Code RSC/R, DB5 Elixir 9/7/CR Mag/X0/ XX, Qty 1
9	11.5315.048.020	Discrete Bar Clamp, Silver, Lever (Ti Bolt T25) - Guide ULT/RSC/RS/RE/R, Level ULT/TLM/TL, Code RSC/R, DB5 Elixir 9/7/CR Mag/X0/ XX, Qty 1
9	11.5315.048.090	Discrete Bar Clamp, Black, Lever (Ti Bolt T25) - Guide ULT/RSC/RS/RE/R, Level ULT/TLM/TL, Code RSC/R, DB5 Elixir 9/7/CR Mag/X0/ XX, Qty 1
9	11.5315.048.100	Discrete Bar Clamp, Black, Lever (Ti Bolt T25) - Guide ULT/RSC/RS/RE/R, Level ULT/TLM/TL, Code RSC/R, DB5 Elixir 9/7/CR Mag/X0/ XX, Qty 1
10	11.5315.048.050	MMX Clamp, Silver, Lever (Stainless Steel Bolt T25) - Guide ULT/RSC/RS/RE/R, Level ULT/TLM/TL, Code RSC/R, DB5 Elixir 9/7/CR Mag/X0/ XX, Qty 1
10	11.5315.048.070	MMX Clamp, Black, Lever (Stainless Steel Bolt T25) - Guide ULT/RSC/RS/RE/R, Level ULT/TLM/TL, Code RSC/R, DB5 Elixir 9/7/CR Mag/X0/ XX, Qty 1
10	11.5315.048.080	MMX Clamp, Black, Lever (Ti Bolt T25) - Guide ULT/RSC/RS/RE/R, Level ULT/TLM/TL, Code RSC/R, DB5 Elixir 9/7/CR Mag/X0/ XX, Qty 1
11	11.5315.049.010	MMX/Shifter Mounting Bracket, Left - Guide ULT/RSC/RS/RE/R, Level ULT/TLM/TL, Code RSC/R, DB5 Elixir 9/7/CR Mag/X0/ XX, Qty 1
11	11.5315.049.020	MMX/Shifter Mounting Bracket, Right - Guide ULT/RSC/RS/RE/R, Level ULT/TLM/TL, Code RSC/R, DB5 Elixir 9/7/CR Mag/X0/ XX, Qty 1



Notes:

- 1. Lever Internals kit is pre-assembled
- 2. Use Level Ultimate as replacement for XX World Cup lever assembly

**LEVER SPARES**

No.	Part Number	Description
1	11.5015.064.070	Lever Internals/Service kit Carbon Qty 1 - 2012-2016 XX/XXWC/2013-2016 X0 GS
2	11.5018.003.006	Lever Blade XX Carbon Black Qty 1 2012-2016
3	11.5018.004.036	Lever Assembly, Aluminum lever, Hinged Clamp/MMX compatible,Black Ano (assembled, no hose, includes hinged clamp) - Level Ultmate

**HYDRAULIC LINES & FITTINGS**

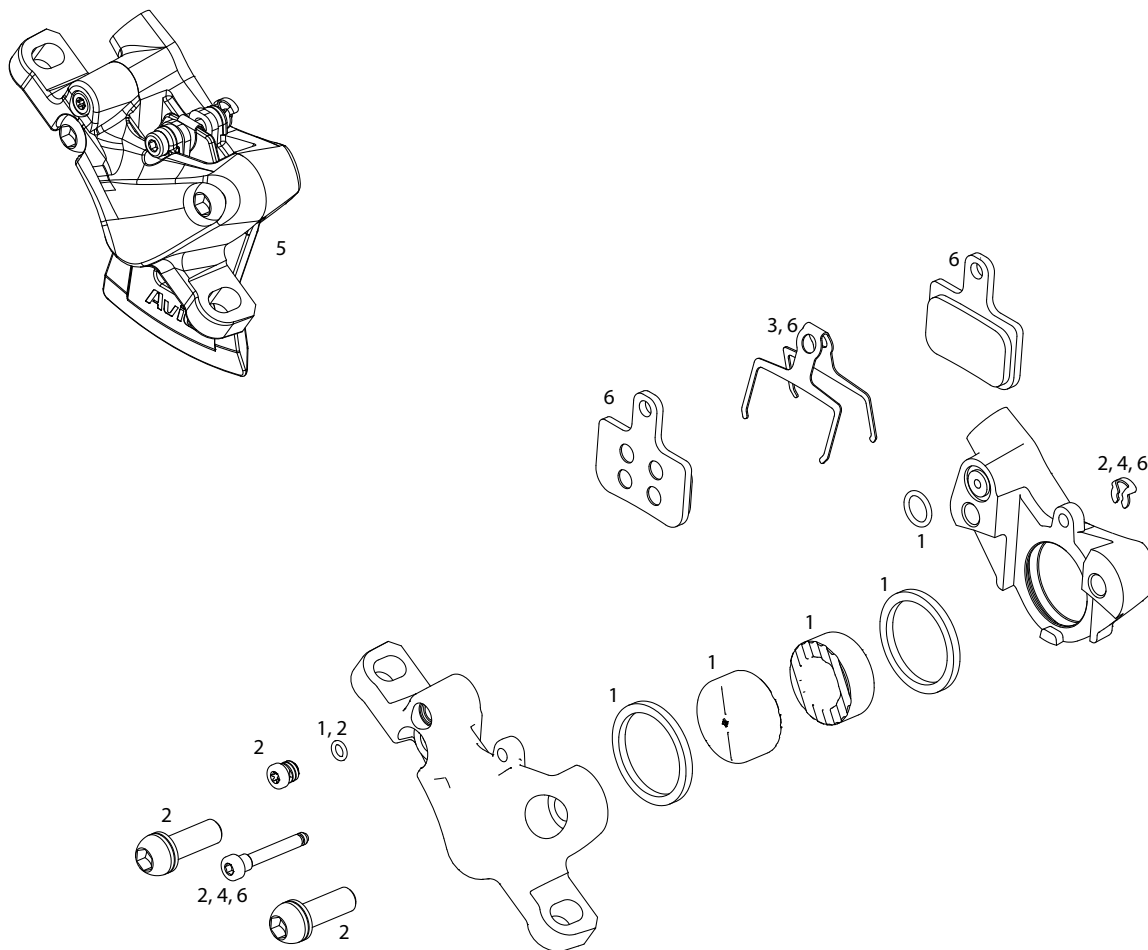
4	00.5016.168.050	Hydraulic Line Kit - Elixir 7, Elixir 9, Elixir R,Elixir CR, Elixir X0, Elixir CR Mag, 2000mm, Stainless, Black, Qty 1
4	00.5016.168.060	Hydraulic Line Kit - Elixir 5, Elixir 7, Elixir 9, Elixir R,Elixir CR, Elixir X0, Elixir CR Mag, 2000mm, Stainless, White, Qty 1
5	11.5309.766.000	Hydraulic Disc Brake Compression Hose Nut, Qty 5
6	11.5378.803.004	Hydraulic Disc Brake Hose Fitting Kit (includes 1 threaded hosebarb, 1 red comp fitting) Qty 1 - Stealthmajig
6	11.5378.803.002	Hydraulic Disc Brake Hose Fitting Kit (includes 5 threaded hosebarbs, 5 red comp fittings, 1 T8 Torx) Qty 5
6	11.5378.803.003	Hydraulic Disc Brake Hose Fitting Kit (includes 50 threadedhosebarbs, 50 red comp fittings, 1 T8 Torx) Qty 50

**LEVER CLAMPS**

7	11.5315.048.010	Discrete Bar Clamp, Black, Lever (Stainless Steel Bolt T25)-Guide ULT/RSC/RS/RE/R,Level ULT/TLM/TL, Code RSC/R, DB5 Elixir 9/7/CR Mag/X0/ XX, Qty 1
7	11.5315.048.020	Discrete Bar Clamp, Silver, Lever (Ti Bolt T25) - Guide ULT/RSC/RS/RE/R,Level ULT/TLM/TL, Code RSC/R, DB5 Elixir 9/7/CRMag/X0/ XX, Qty 1
9	11.5315.048.050	MMX Clamp, Silver, Lever (Stainless Steel Bolt T25) - GuideULT/RSC/RS/RE/R,Level ULT/TLM/TL, Code RSC/R, DB5 Elixir 9/7/CR Mag/X0/ XX, Qty 1
9	11.5315.048.070	MMX Clamp, Black, Lever (Stainless Steel Bolt T25) - Guide ULT/RSC/RS/RE/R,Level ULT/TLM/TL, Code RSC/R, DB5 Elixir 9/7/CR Mag/X0/ XX, Qty 1
9	11.5315.048.080	MMX Clamp, Black, Lever (Ti Bolt T25) - Guide ULT/RSC/RS/RE/R,Level ULT/TLM/TL, Code RSC/R, DB5 Elixir 9/7/CR Mag/X0/ XX, Qty 1
10	11.5315.049.010	MMX/Shifter Mounting Bracket, Left - Guide ULT/RSC/RS/RE/R,Level ULT/TLM/TL, Code RSC/R, DB5 Elixir 9/7/CR Mag/X0/ XX, Qty 1
10	11.5315.049.020	MMX/Shifter Mounting Bracket, Right - Guide ULT/RSC/RS/RE/R,Level ULT/TLM/TL, Code RSC/R, DB5 Elixir 9/7/CR Mag/X0/ XX,Qty 1







NOTES:

1. See lever pages for exploded view of Hydraulic Line kits

**CALIPER SPARES**

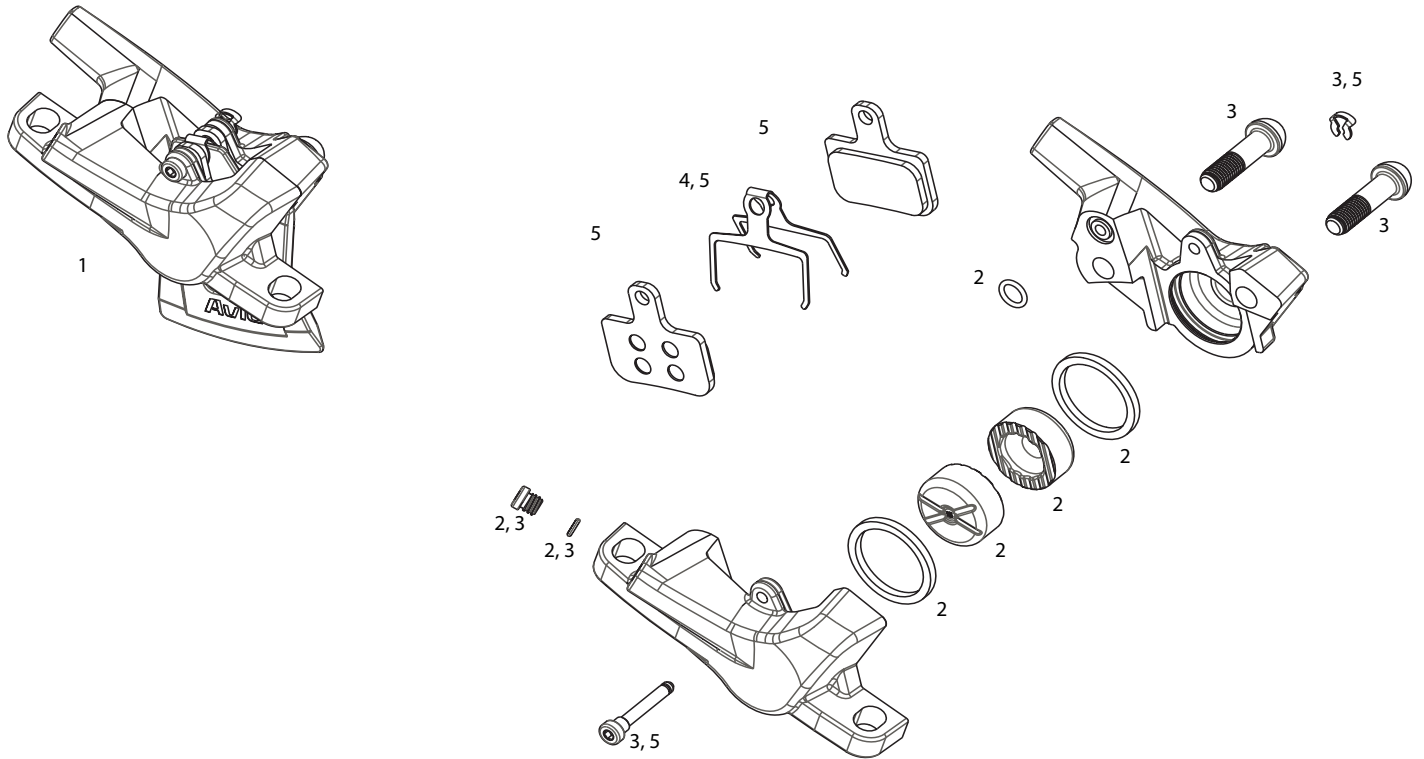
No.	Part Number	Description
1	11.5018.020.000	Caliper Piston Kit (includes 2-21mm caliper pistons, seals & O-rings) - DB5
2	11.5018.021.000	Caliper Hardware Kit (includes body bolts, bleed screw, padpin) - DB5
3	11.5015.035.000	Elixir/DB Pad Spreader Kit, Qty 2
4	11.5015.036.000	Pad Pin Kit, Black Qty 2 - Elixir
5	11.5018.008.018	Caliper Assembly Standard (non-CPS) Black (assembled, no hose) - DB5
5	11.5018.008.019	Caliper Assembly Standard (non-CPS) White (assembled, no hose) - DB5

**BRAKE PADS**

6	00.5315.035.010	Disc Brake Pads Metal Sintered/Steel - Elixir/DB/Level TL/Level T/Level
6	00.5315.035.020	Disc Brake Pads Organic/Alum - Elixir/DB/Level TL/Level T/Level
6	00.5315.035.030	Disc Brake Pads Organic/Steel - Elixir/DB/Level TL/Level T/Level

**HYDRAULIC LINES & FITTINGS**

ns	00.5016.168.130	Hydraulic Line Kit - Guide RSC/Guide RS/Guide R/DB5/Level TL, 2000mm, Stainless, Black, Qty 1
ns	00.5016.168.140	Hydraulic Line Kit - Guide RSC/Guide RS/Guide R/DB5/Level TL, 2000mm, Stainless, White, Qty 1
ns	11.5309.766.000	Hydraulic Disc Brake Compression Hose Nut, Qty 5
ns	11.5378.803.004	Hydraulic Disc Brake Hose Fitting Kit (includes 1 threaded hosebarb, 1 red comp fitting) Qty 1 - Stealthmajig
ns	11.5378.803.002	Hydraulic Disc Brake Hose Fitting Kit (includes 5 threaded hosebarbs, 5 red comp fittings, 1 T8 Torx) Qty 5
ns	11.5378.803.003	Hydraulic Disc Brake Hose Fitting Kit (includes 50 threaded hosebarbs, 50 red comp fittings, 1 T8 Torx) Qty 50



NOTES:

1. Level caliper uses 20mm Pistons

CALIPER SPARES

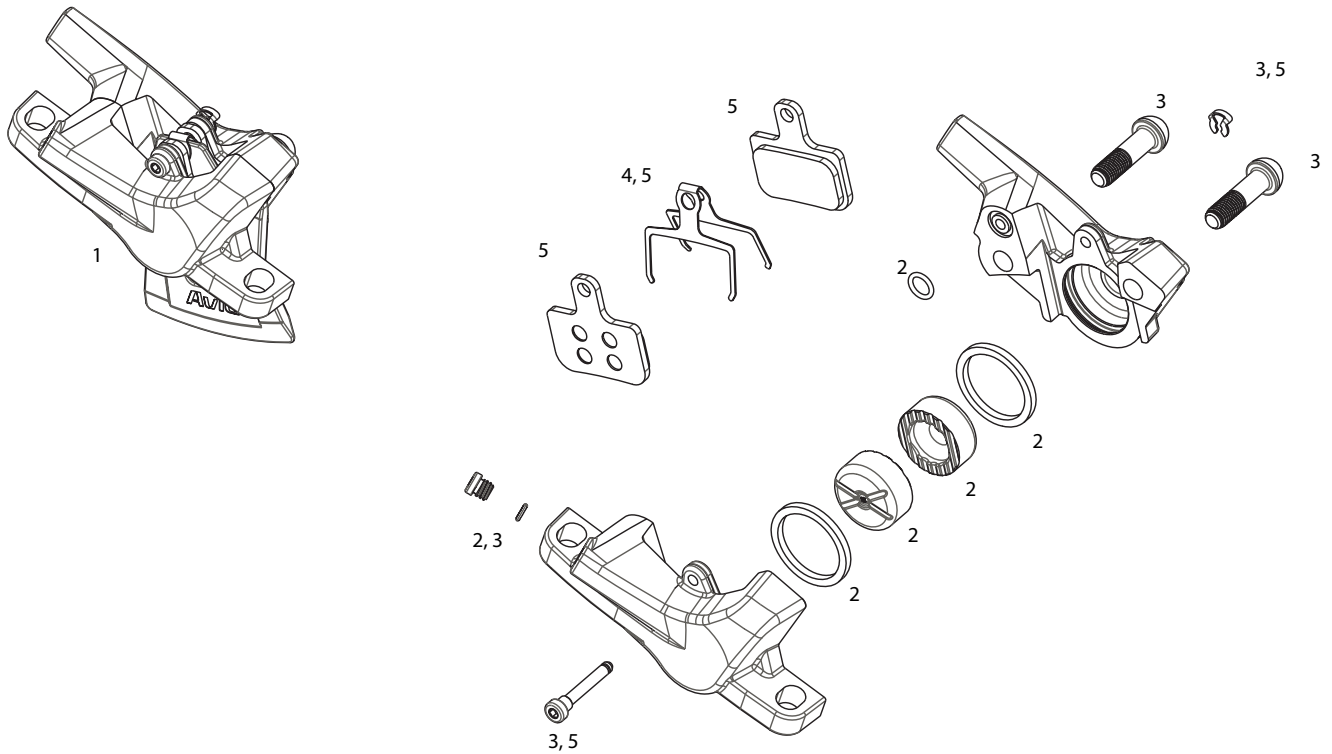
No.	Part Number	Description
1	11.5018.008.026	Caliper Assembly Standard (non-CPS) Black (assembled, no hose) - Level
2	11.5018.020.003	Caliper Piston Kit (includes 2-20mm caliper pistons, seals &orings) - Level
3	11.5018.021.004	Caliper Hardware Kit (includes body bolts, bleed screw, padpin) - Level
4	11.5015.035.000	Elixir/DB Pad Spreader Kit, Qty 2

BRAKE PADS

5	00.5315.035.010	Disc Brake Pads Metal Sintered/Steel - Elixir/DB/Level TL/Level T/Level
5	00.5315.035.020	Disc Brake Pads Organic/Alum - Elixir/DB/Level TL/Level T/Level
5	00.5315.035.030	Disc Brake Pads Organic/Steel - Elixir/DB/Level TL/Level T/Level

HYDRAULIC LINES & FITTINGS

ns	00.5016.168.010	Hydraulic Line Kit - Code/Code R/Elixir 3/Elixir 1/Juicy 3/DB 3/DB 1/Level T/Level/Guide RE, 2000mm, Black, Qty 1
ns	00.5016.168.020	Hydraulic Line Kit - Code/Code R/Elixir 3/Elixir 1/Juicy 3/DB 3/DB 1/Level T/Level/Guide RE, 2000mm, White, Qty 1
ns	11.5309.766.000	Hydraulic Disc Brake Compression Hose Nut, Qty 5
ns	11.5378.803.004	Hydraulic Disc Brake Hose Fitting Kit (includes 1 threaded hosebarb, 1 red comp fitting) Qty 1 - Stealthmajig
ns	11.5378.803.002	Hydraulic Disc Brake Hose Fitting Kit (includes 5 threaded hosebarbs, 5 red comp fittings, 1 T8 Torx) Qty 5
ns	11.5378.803.003	Hydraulic Disc Brake Hose Fitting Kit (includes 50 threadedhosebarbs, 50 red comp fittings, 1 T8 Torx) Qty 50



NOTES:

1. Level T caliper uses 21mm Pistons

CALIPER SPARES

No.	Part Number	Description
1	11.5018.008.027	Caliper Assembly Standard (non-CPS) Gloss Black (assembled,no hose) - Level T
2	11.5018.020.004	Caliper Piston Kit (includes 2-21mm caliper pistons, seals &orings) - Level TL/T
3	11.5018.021.005	Caliper Hardware Kit (includes body bolts, bleed screw, padpin) - Level T
4	11.5015.035.000	Elixir/DB Pad Spreader Kit, Qty 2

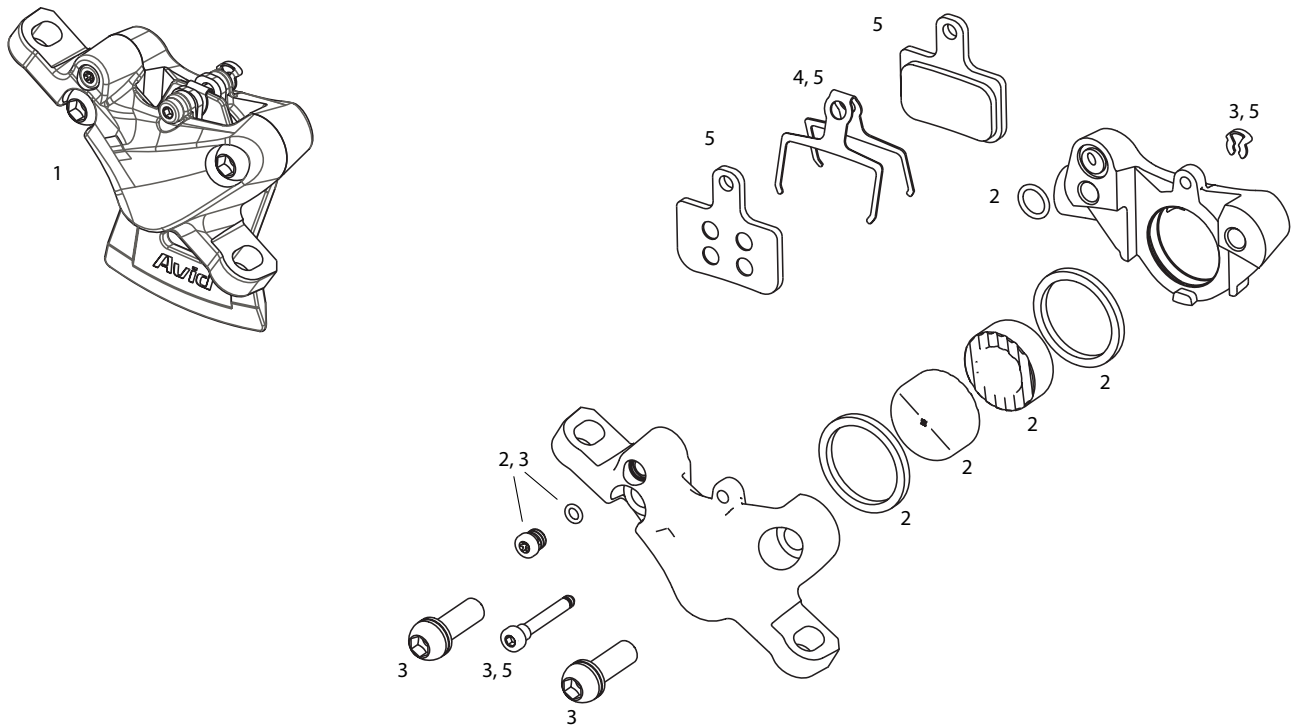
BRAKE PADS

5	00.5315.035.010	Disc Brake Pads Metal Sintered/Steel - Elixir/DB/Level TL/Level T/Level
5	00.5315.035.020	Disc Brake Pads Organic/Alum - Elixir/DB/Level TL/Level T/Level
5	00.5315.035.030	Disc Brake Pads Organic/Steel - Elixir/DB/Level TL/Level T/Level

HYDRAULIC LINES & FITTINGS

ns	00.5016.168.010	Hydraulic Line Kit - Code/Code R/Elixir 3/Elixir 1/Juicy 3/DB 3/DB 1/Level T/Level/Guide RE, 2000mm, Black, Qty 1
ns	00.5016.168.020	Hydraulic Line Kit - Code/Code R/Elixir 3/Elixir 1/Juicy 3/DB 3/DB 1/Level T/Level/Guide RE, 2000mm, White, Qty 1
ns	11.5309.766.000	Hydraulic Disc Brake Compression Hose Nut, Qty 5
ns	11.5378.803.004	Hydraulic Disc Brake Hose Fitting Kit (includes 1 threaded hosebarb, 1 red comp fitting) Qty 1 - Stealthmajig
ns	11.5378.803.002	Hydraulic Disc Brake Hose Fitting Kit (includes 5 threaded hosebarbs, 5 red comp fittings, 1 T8 Torx) Qty 5
ns	11.5378.803.003	Hydraulic Disc Brake Hose Fitting Kit (includes 50 threadedhosebarbs, 50 red comp fittings, 1 T8 Torx) Qty 50





NOTES:

1. Level TL caliper uses 21mm Pistons

CALIPER SPARES

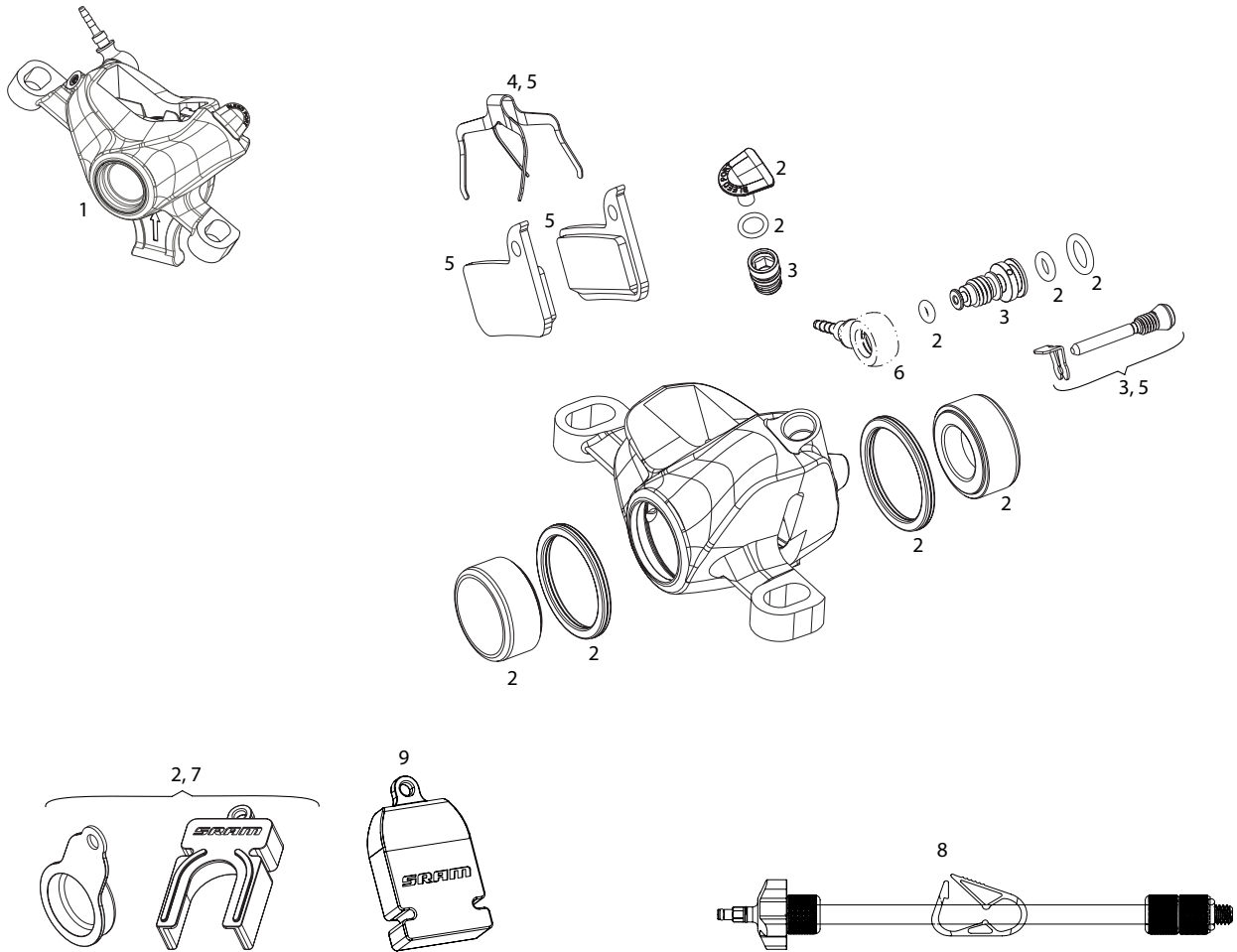
No.	Part Number	Description
1	11.5018.008.028	Caliper Assembly Standard (non-CPS) Gloss Black (assembled,no hose) - Level TL
2	11.5018.020.004	Caliper Piston Kit (includes 2-21mm caliper pistons, seals &orings) - Level TL/T
3	11.5018.021.006	Caliper Hardware Kit (includes body bolts, bleed screw, padpin) - Level TL
4	11.5015.035.000	Elixir/DB Pad Spreader Kit, Qty 2

BRAKE PADS

5	00.5315.035.010	Disc Brake Pads Metal Sintered/Steel - Elixir/DB/Level TL/Level T/Level
5	00.5315.035.020	Disc Brake Pads Organic/Alum - Elixir/DB/Level TL/Level T/Level
5	00.5315.035.030	Disc Brake Pads Organic/Steel - Elixir/DB/Level TL/Level T/Level

HYDRAULIC LINES & FITTINGS

ns	00.5016.168.130	Hydraulic Line Kit - Guide RSC/Guide RS/Guide R/DB5/Level TL, 2000mm, Stainless, Black, Qty 1
ns	00.5016.168.140	Hydraulic Line Kit - Guide RSC/Guide RS/Guide R/DB5/Level TL, 2000mm, Stainless, White, Qty 1
ns	11.5309.766.000	Hydraulic Disc Brake Compression Hose Nut, Qty 5
ns	11.5378.803.004	Hydraulic Disc Brake Hose Fitting Kit (includes 1 threaded hosebarb, 1 red comp fitting) Qty 1 - Stealthmajig
ns	11.5378.803.002	Hydraulic Disc Brake Hose Fitting Kit (includes 5 threaded hosebarbs, 5 red comp fittings, 1 T8 Torx) Qty 5
ns	11.5378.803.003	Hydraulic Disc Brake Hose Fitting Kit (includes 50 threadedhosebarbs, 50 red comp fittings, 1 T8 Torx) Qty 50



NOTES:

- 1. Monoblock Caliper requires Bleeding Edge tool to bleed hydraulic line.
- 2. Monoblock Caliper requires Caliper Piston Removal Tool to remove pistons and access piston seals.

CALIPER SPARES

No.	Part Number	Description
1	11.5018.008.029	Caliper Assembly Standard (non-CPS) Dark Grey (assembled, nohose) - Level TLM
1	11.5018.008.038	Caliper Assembly Standard (non-CPS) Diffusion Black (assembled, no hose) - Level TLM A1
2	11.5018.020.005	Caliper Piston Kit (includes monoblock piston tool, 2-21mm Aluminum caliper pistons, seals & orings) - Level Ultimate/TLM/ eTap HRD
3	11.5018.021.007	Caliper Hardware Kit (includes bleed screw, pad pin) - Level Ultimate/TLM
4	11.5018.006.002	Pad Spreader Monoblock - Level Ultimate/TLM Qty 2

BRAKE PADS

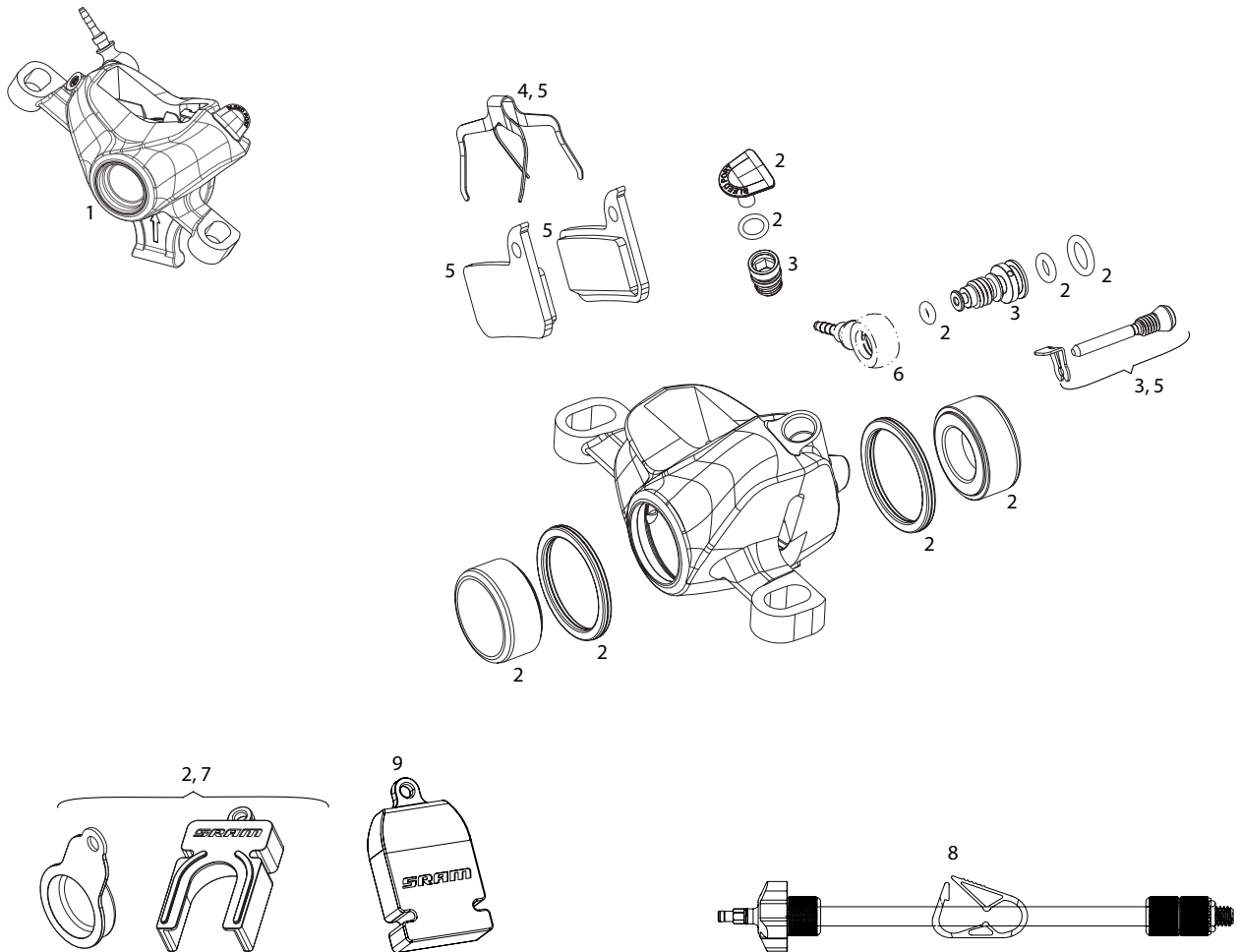
5	00.5318.010.002	Disc Brake Pads Organic/Steel (includes guide pin, clip & pad spreader) - SRAM Hydraulic Road Disc, Level Ultimate/TLM
5	00.5318.010.003	Disc Brake Pads Organic/Aluminum (includes guide pin, clip & pad spreader) - SRAM Hydraulic Road Disc, Level Ultimate/TLM
5	00.5318.010.004	Disc Brake Pads Sintered/Steel (includes guide pin, clip & pad spreader) - SRAM Hydraulic Road Disc, Level Ultimate/TLM

HYDRAULIC LINES & FITTINGS

6	00.5016.168.170	Hydraulic Line Kit - Monoblock, 2000mm, Black, Qty 1 - Level Ultimate, Level TLM, CODE R/RSC B1 (2018+)
ns	11.5309.766.000	Hydraulic Disc Brake Compression Hose Nut, Qty 5
ns	11.5378.803.004	Hydraulic Disc Brake Hose Fitting Kit (includes 1 threaded hosebarb, 1 red comp fitting) Qty 1 - Stealthmajig
ns	11.5378.803.002	Hydraulic Disc Brake Hose Fitting Kit (includes 5 threaded hosebarbs, 5 red comp fittings, 1 T8 Torx) Qty 5
ns	11.5378.803.003	Hydraulic Disc Brake Hose Fitting Kit (includes 50 threaded hosebarbs, 50 red comp fittings, 1 T8 Torx) Qty 50

TOOLS

7	00.5318.015.003	SRAM Monoblock Caliper 21mm Piston Removal Tool (includes plug & removal block) - Level Ultimate/TLM/ eTap HRD
8	00.5318.015.001	SRAM Tool Bleeding Edge (works with Avid/SRAM Pro Bleed Kits) -S4/Monoblock Calipers, Guide Ultimate/RSC (B1)/RS (B1)/R(B1),Level Ult/Level TLM, Code RSC/R
9	11.5015.014.080	Bleed Block Monoblock - Level Ultimate/TLM/ eTap HRD



NOTES:

- 1. Monoblock Caliper requires Bleeding Edge tool to bleed hydraulic line.
- 2. Monoblock Caliper requires Caliper Piston Removal Tool to remove pistons and access piston seals.

CALIPER SPARES

No.	Part Number	Description
1	11.5018.008.030	Caliper Assembly Standard (non-CPS) Black Anodized (assembled, no hose) - Level Ultimate
2	11.5018.020.005	Caliper Piston Kit (includes monoblock piston tool, 2-21mm Aluminum caliper pistons, seals & orings) - Level Ultimate/TLM/ eTap HRD
3	11.5018.021.007	Caliper Hardware Kit (includes bleed screw, pad pin) - Level Ultimate/TLM
4	11.5018.006.002	Pad Spreader Monoblock - Level Ultimate/TLM Qty 2

BRAKE PADS

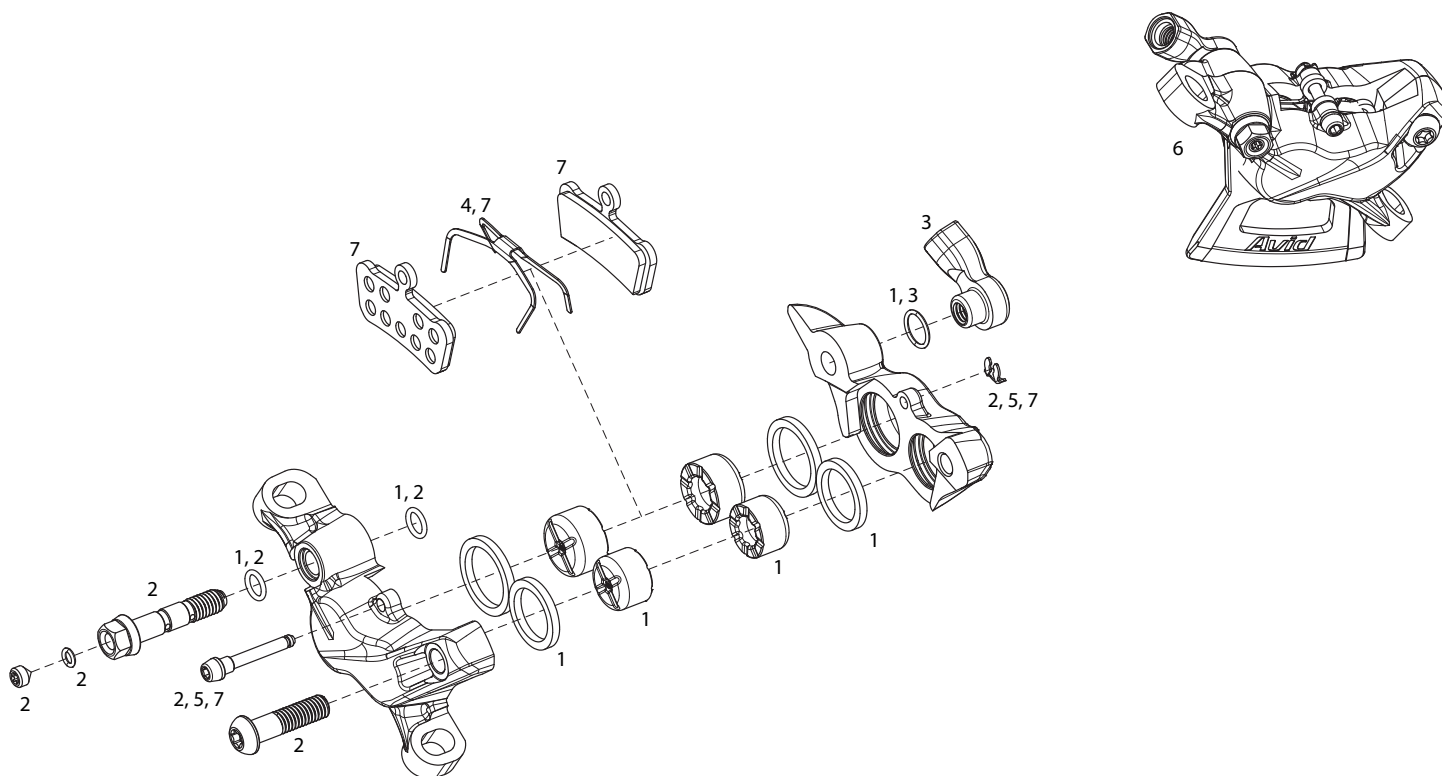
5	00.5318.010.002	Disc Brake Pads Organic/Steel (includes guide pin, clip & pad spreader) - SRAM Hydraulic Road Disc, Level Ultimate/TLM
5	00.5318.010.003	Disc Brake Pads Organic/Aluminum (includes guide pin, clip & pad spreader) - SRAM Hydraulic Road Disc, Level Ultimate/TLM
5	00.5318.010.004	Disc Brake Pads Sintered/Steel (includes guide pin, clip & pad spreader) - SRAM Hydraulic Road Disc, Level Ultimate/TLM

HYDRAULIC LINES & FITTINGS

6	00.5016.168.170	Hydraulic Line Kit - Monoblock, 2000mm, Black, Qty 1 - Level Ultimate, Level TLM, CODE R/RSC B1 (2018+)
ns	11.5309.766.000	Hydraulic Disc Brake Compression Hose Nut, Qty 5
ns	11.5378.803.004	Hydraulic Disc Brake Hose Fitting Kit (includes 1 threaded hose barb, 1 red comp fitting) Qty 1 - Stealthmajig
ns	11.5378.803.002	Hydraulic Disc Brake Hose Fitting Kit (includes 5 threaded hosebarbs, 5 red comp fittings, 1 T8 Torx) Qty 5
ns	11.5378.803.003	Hydraulic Disc Brake Hose Fitting Kit (includes 50 threaded hosebarbs, 50 red comp fittings, 1 T8 Torx) Qty 50

TOOLS

7	00.5318.015.003	SRAM Monoblock Caliper 21mm Piston Removal Tool (includes plug & removal block) - Level Ultimate/TLM/ eTap HRD
8	00.5318.015.001	SRAM Tool Bleeding Edge (works with Avid/SRAM Pro Bleed Kits) -S4/Monoblock Calipers, Guide Ultimate/RSC (B1)/RS (B1)/R(B1),Level Ult/Level TLM, Code RSC/R
9	11.5015.014.080	Bleed Block Monoblock - Level Ultimate/TLM/ eTap HRD



NOTES:

1. See lever pages for exploded view of Hydraulic Line kits

CALIPER SPARES

No. Part Number Description

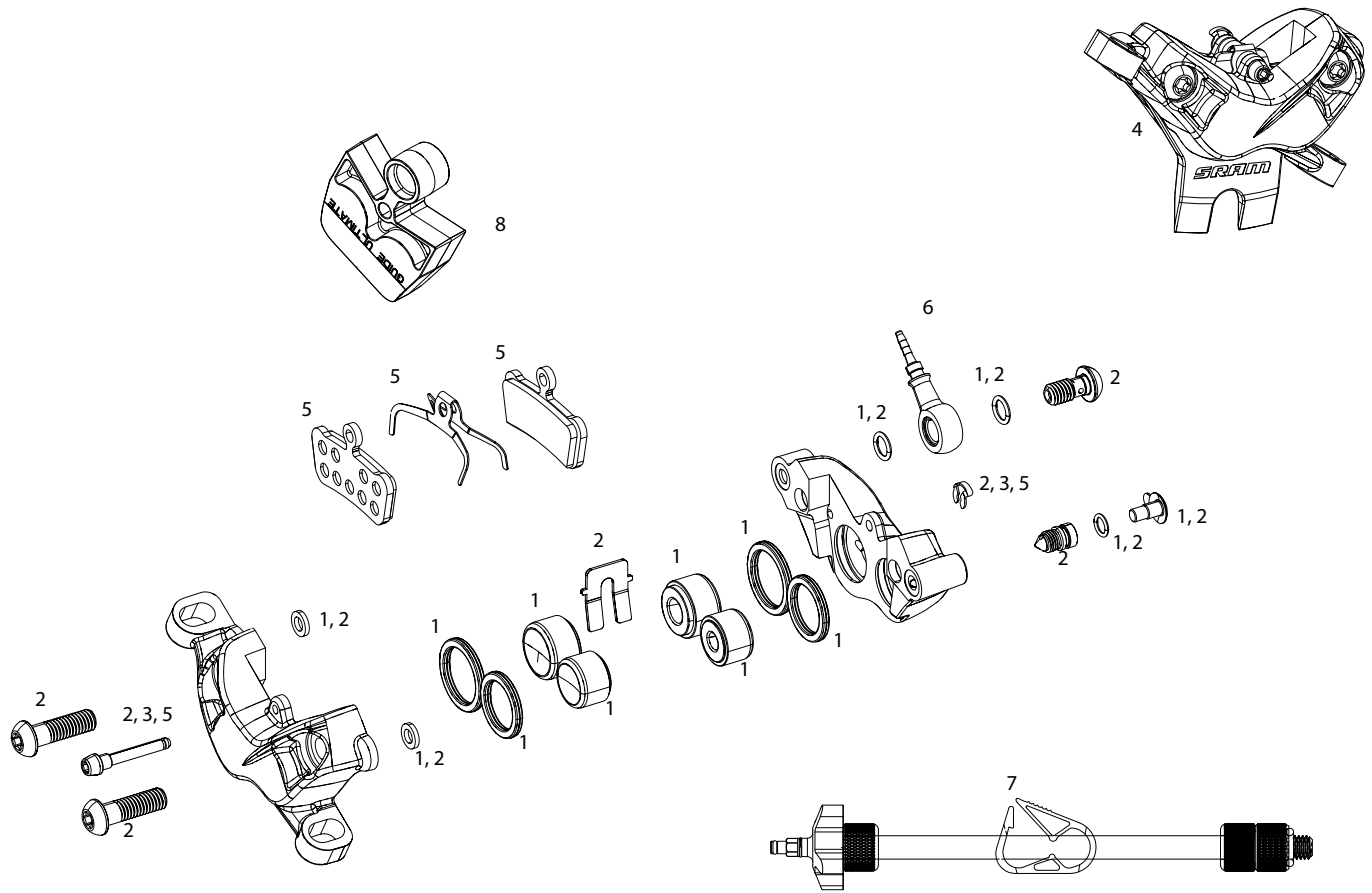
1	11.5018.020.006	Caliper Piston Kit (includes 2-16mm & 2-14mm caliper pistons, seals & orings) - Guide R, RS, RSC (A1-B1)
2	11.5018.021.001	Caliper Hardware Kit (includes black body bolt, banjo bolt, bleed screw, pad pin) - GUIDE R/RS
3	11.5015.060.020	Banjo Kit, Black, Qty 1 - Elixir R/CR/CR Mag/X0/Elixir 9/Elixir 7/Guide R,RS,RSC
4	11.5018.006.000	Pad Spreader, Qty 2- Trail/Guide R,RS,RSC
5	11.5015.036.010	Pad Pin Kit, Silver, Steel, Qty 2 - Elixir/Code/Guide R,RE,RS,RSC
6	11.5018.008.020	Caliper Assembly Standard (non-CPS) Black (assembled, no hose) - GUIDE R/RS
6	11.5018.008.021	Caliper Assembly Standard (non-CPS) Grey (assembled, no hose) - GUIDE R/RS

BRAKE PADS

7	00.5318.003.003	Disc Brake Pads Organic/Alum, (1 set) - Trail/Guide
7	00.5318.003.004	Disc Brake Pads Organic/Steel, (1 set) - Trail/Guide
7	00.5318.003.005	Disc Brake Pads Sintered/Steel, (1 set) - Trail/Guide

HYDRAULIC LINES & FITTINGS

ns	00.5016.168.130	Hydraulic Line Kit - Guide RSC/Guide RS/Guide R/DB5/Level TL, 2000mm, Stainless, Black, Qty 1
ns	00.5016.168.140	Hydraulic Line Kit - Guide RSC/Guide RS/Guide R/DB5/Level TL, 2000mm, Stainless, White, Qty 1
ns	11.5309.766.000	Hydraulic Disc Brake Compression Hose Nut, Qty 5
ns	11.5378.803.004	Hydraulic Disc Brake Hose Fitting Kit (includes 1 threaded hosebarb, 1 red comp fitting) Qty 1 - Stealthmajig
ns	11.5378.803.002	Hydraulic Disc Brake Hose Fitting Kit (includes 5 threaded hosebarbs, 5 red comp fittings, 1 T8 Torx) Qty 5
ns	11.5378.803.003	Hydraulic Disc Brake Hose Fitting Kit (includes 50 threaded hosebarbs, 50 red comp fittings, 1 T8 Torx) Qty 50



**NOTES:**

- 1. The B1 (2017) Generation was upgraded to the S4 caliper and uses S4 caliper kits & S4 Hydraulic Line Kit.
- 2. See lever pages for exploded view of Hydraulic Line kits
- 3. SRAM Tool Bleeding Edge needed to bleed S4 calipers

**CALIPER SPARES**

No.	Part Number	Description
1	11.5018.020.006	Caliper Piston Kit (includes 2-16mm & 2-14mm caliper pistons, seals & orings) - Guide R, RS, RSC (A1-B1)
2	11.5018.021.008	Caliper Hardware Kit (includes black body bolt, banjo bolt, bleed screw, pad pin) S4 Caliper - GUIDE R(B1)/RS(B1)
3	11.5018.033.000	Pad Pin Kit, Stainless Steel, Qty 2 S4 Caliper - Code/Guide Ultimate/RSC (B1)/RS(B1)/R(B1)
4	11.5018.008.031	Caliper Assembly Standard (non-CPS) Black (assembled, no hose) - GUIDE R/RS (B1)

**BRAKE PADS**

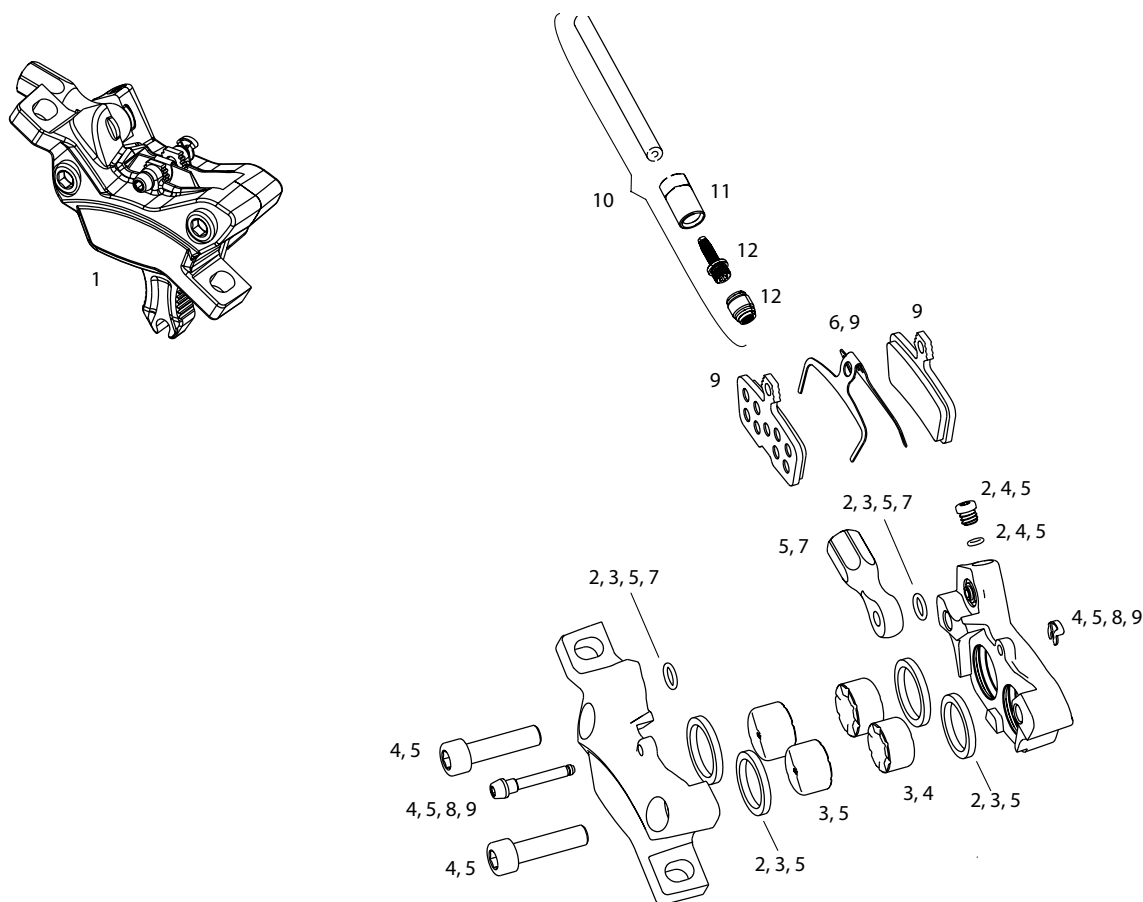
5	00.5318.003.003	Disc Brake Pads Organic/Alum, (1 set) - Trail/Guide
5	00.5318.003.004	Disc Brake Pads Organic/Steel, (1 set) - Trail/Guide
5	00.5318.003.005	Disc Brake Pads Sintered/Steel, (1 set) - Trail/Guide

**HYDRAULIC LINES & FITTINGS**

6	00.5016.168.150	Hydraulic Line Kit - S4 Caliper - Guide Ultimate/Guide RSC (B1)/Guide RS(B1)/Guide R(B1), 2000mm, Black, Qty 1
6	00.5016.168.160	Hydraulic Line Kit - S4 Caliper - Guide Ultimate/Guide RSC (B1)/Guide RS(B1)/Guide R(B1), 2000mm, White, Qty 1
ns	11.5309.766.000	Hydraulic Disc Brake Compression Hose Nut, Qty 5
ns	11.5378.803.004	Hydraulic Disc Brake Hose Fitting Kit (includes 1 threaded hosebarb, 1 red comp fitting) Qty 1 - Stealthmajig
ns	11.5378.803.002	Hydraulic Disc Brake Hose Fitting Kit (includes 5 threaded hosebarbs, 5 red comp fittings, 1 T8 Torx) Qty 5
ns	11.5378.803.003	Hydraulic Disc Brake Hose Fitting Kit (includes 50 threaded hosebarbs, 50 red comp fittings, 1 T8 Torx) Qty 50

**TOOLS**

7	00.5318.015.001	SRAM Tool Bleeding Edge (works with Avid/SRAM Pro Bleed Kits) -S4/Monoblock Calipers, Guide Ultimate/RSC (B1)/RS (B1)/R(B1),Level Ult/Level TLM, Code RSC/R
8	11.5015.014.070	Bleed Block S4 Calipers - Guide Ultimate/RSC B1/RS B1/R B1



NOTES:

1. Guide RE brakes use Guide R styled Levers with Code-styled calipers.

CALIPER SPARES

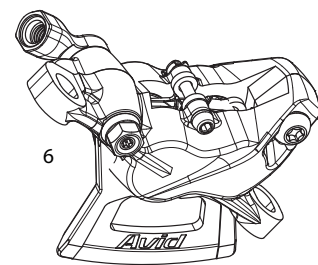
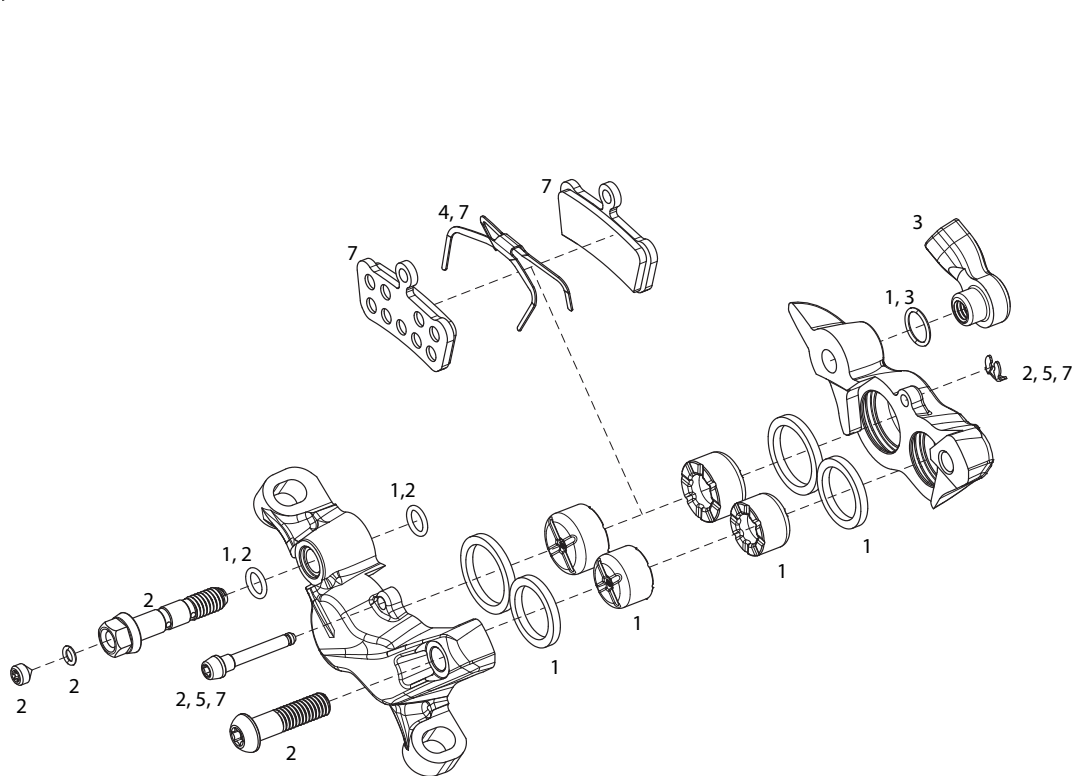
No.	Part Number	Description
1	11.5018.008.032	Caliper Assembly Standard (non-CPS) Grey (assembled, no hose) - GUIDE RE (A1)
2	11.5015.068.010	Service Kit, Caliper Qty 1 - Code (2011-2017)/Guide RE
3	11.5015.068.020	Piston Kit, Caliper Qty 1 - Code (2011-2017)/Guide RE
4	11.5015.068.030	Hardware Kit, Caliper Qty 1 - Code (2011-2017)/Guide RE
5	11.5015.068.040	Caliper Spare Parts Kit Qty 1 - Code (2011-2017)/Guide RE
6	11.5015.068.050	Pad Spreader Qty 2 - Code (2011-2017)/Guide RE
7	11.5015.071.010	Banjo Aluminum, Caliper Qty 2 - Code (2008-2017)/Guide RE
8	11.5015.036.010	Pad Pin Kit, Silver, Steel, Qty 2 - Elixir/Code/Guide R,RE,RS,RSC

BRAKE PADS

9	00.5315.023.010	Disc Brake Pads Metal Sintered/Steel - Code 2011+/ Guide RE
9	00.5315.023.020	Disc Brake Pads Organic/Alum - Code 2011+/ Guide RE
9	00.5315.023.030	Disc Brake Pads Organic/Steel - Code 2011+/ Guide RE

HYDRAULIC LINES & FITTINGS

10	00.5016.168.010	Hydraulic Line Kit - Code/Code R/Elixir 3/Elixir 1/Juicy 3/DB 3/DB 1/Level T/Level/Guide RE, 2000mm, Black, Qty 1
10	00.5016.168.020	Hydraulic Line Kit - Code/Code R/Elixir 3/Elixir 1/Juicy 3/DB 3/DB 1/Level T/Level/Guide RE, 2000mm, White, Qty 1
11	11.5309.766.000	Hydraulic Disc Brake Compression Hose Nut, Qty 5
12	11.5378.803.004	Hydraulic Disc Brake Hose Fitting Kit (includes 1 threaded hosebarb, 1 red comp fitting) Qty 1 - Stealthmajig
12	11.5378.803.002	Hydraulic Disc Brake Hose Fitting Kit (includes 5 threaded hosebarbs, 5 red comp fittings, 1 T8 Torx) Qty 5
12	11.5378.803.003	Hydraulic Disc Brake Hose Fitting Kit (includes 50 threaded hosebarbs, 50 red comp fittings, 1 T8 Torx) Qty 50



NOTES:

1. See lever pages for exploded view of Hydraulic Line kits

CALIPER SPARES

No. Part Number Description

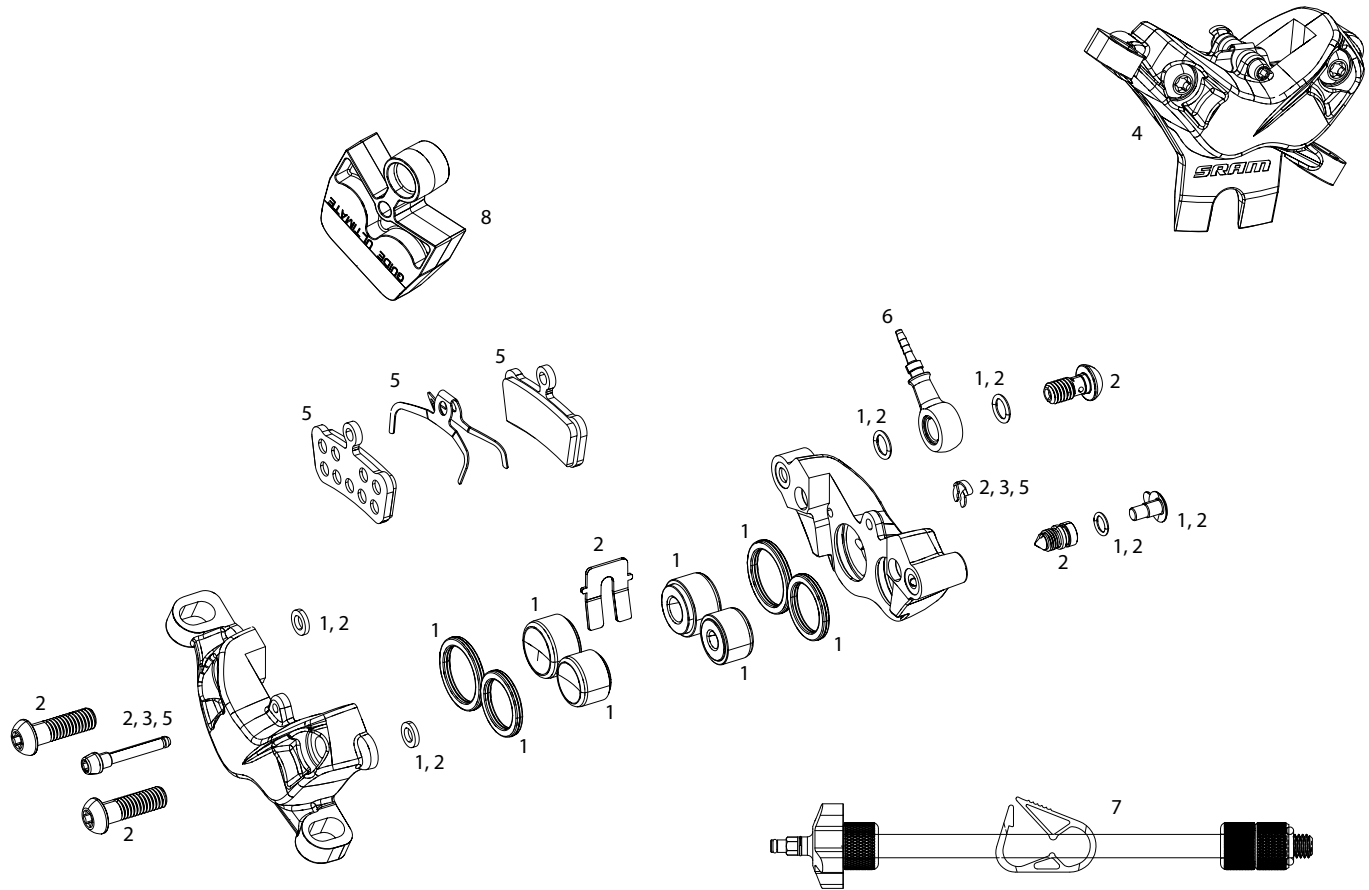
1	11.5018.020.006	Caliper Piston Kit (includes 2-16mm & 2-14mm caliper pistons, seals & orings) - Guide R, RS, RSC (A1-B1)
2	11.5018.021.002	Caliper Hardware Kit (includes stainless body bolt, banjo bolt, bleed screw, pad pin) - GUIDE RSC
3	11.5015.060.020	Banjo Kit, Black, Qty 1 - Elixir R/CR/CR Mag/X0/Elixir 9/Elixir 7/Guide R,RS,RSC
4	11.5018.006.000	Pad Spreader, Qty 2 - Trail/Guide R,RS,RSC
5	11.5015.036.010	Pad Pin Kit, Silver, Steel, Qty 2 - Elixir/Code/Guide R,RE,RS,RSC
6	11.5018.008.022	Caliper Assembly Standard (non-CPS) Black Anodized (assembled, no hose) - GUIDE RSC
6	11.5018.008.023	Caliper Assembly Standard (non-CPS) Silver Anodized (assembled, no hose) - GUIDE RSC

BRAKE PADS

7	00.5318.003.003	Disc Brake Pads Organic/Alum, (1 set) - Trail/Guide
7	00.5318.003.004	Disc Brake Pads Organic/Steel, (1 set) - Trail/Guide
7	00.5318.003.005	Disc Brake Pads Sintered/Steel, (1 set) - Trail/Guide

HYDRAULIC LINES & FITTINGS

ns	00.5016.168.150	Hydraulic Line Kit - S4 Caliper - Guide Ultimate/Guide RSC (B1)/Guide RS(B1)/Guide R(B1), 2000mm, Black, Qty 1
ns	00.5016.168.160	Hydraulic Line Kit - S4 Caliper - Guide Ultimate/Guide RSC (B1)/Guide RS(B1)/Guide R(B1), 2000mm, White, Qty 1
ns	11.5309.766.000	Hydraulic Disc Brake Compression Hose Nut, Qty 5
ns	11.5378.803.004	Hydraulic Disc Brake Hose Fitting Kit (includes 1 threaded hosebarb, 1 red comp fitting) Qty 1 - Stealthmajig
ns	11.5378.803.002	Hydraulic Disc Brake Hose Fitting Kit (includes 5 threaded hosebarbs, 5 red comp fittings, 1 T8 Torx) Qty 5
ns	11.5378.803.003	Hydraulic Disc Brake Hose Fitting Kit (includes 50 threaded hosebarbs, 50 red comp fittings, 1 T8 Torx) Qty 50



NOTES:

- 1. The B1 (2017) Generation was upgraded to the S4 caliper and uses S4 caliper kits & S4 Hydraulic Line Kit.
- 2. See lever pages for exploded view of Hydraulic Line kits
- 3. SRAM Tool Bleeding Edge needed to bleed S4 calipers

CALIPER SPARES

No. Part Number Description

1	11.5018.020.006	Caliper Piston Kit (includes 2-16mm & 2-14mm caliper pistons, seals & orings) - Guide R, RS, RSC (A1-B1)
2	11.5018.021.009	Caliper Hardware Kit (includes stainless body bolt, banjo bolt, bleed screw, pad pin) S4 Caliper - GUIDE RSC(B1)
3	11.5018.033.000	Pad Pin Kit, Stainless Steel, Qty 2 S4 Caliper - Code/Guide Ultimate/RSC (B1)/RS(B1)/R(B1)
4	11.5018.008.033	Caliper Assembly Standard (non-CPS) Black Anodized (assembled, no hose) - GUIDE RSC (B1)
4	11.5018.008.034	Caliper Assembly Standard (non-CPS) Silver Anodized (assembled, no hose) - GUIDE RSC (B1)

BRAKE PADS

5	00.5318.003.003	Disc Brake Pads Organic/Alum, (1 set) - Trail/Guide
5	00.5318.003.004	Disc Brake Pads Organic/Steel, (1 set) - Trail/Guide
5	00.5318.003.005	Disc Brake Pads Sintered/Steel, (1 set) - Trail/Guide

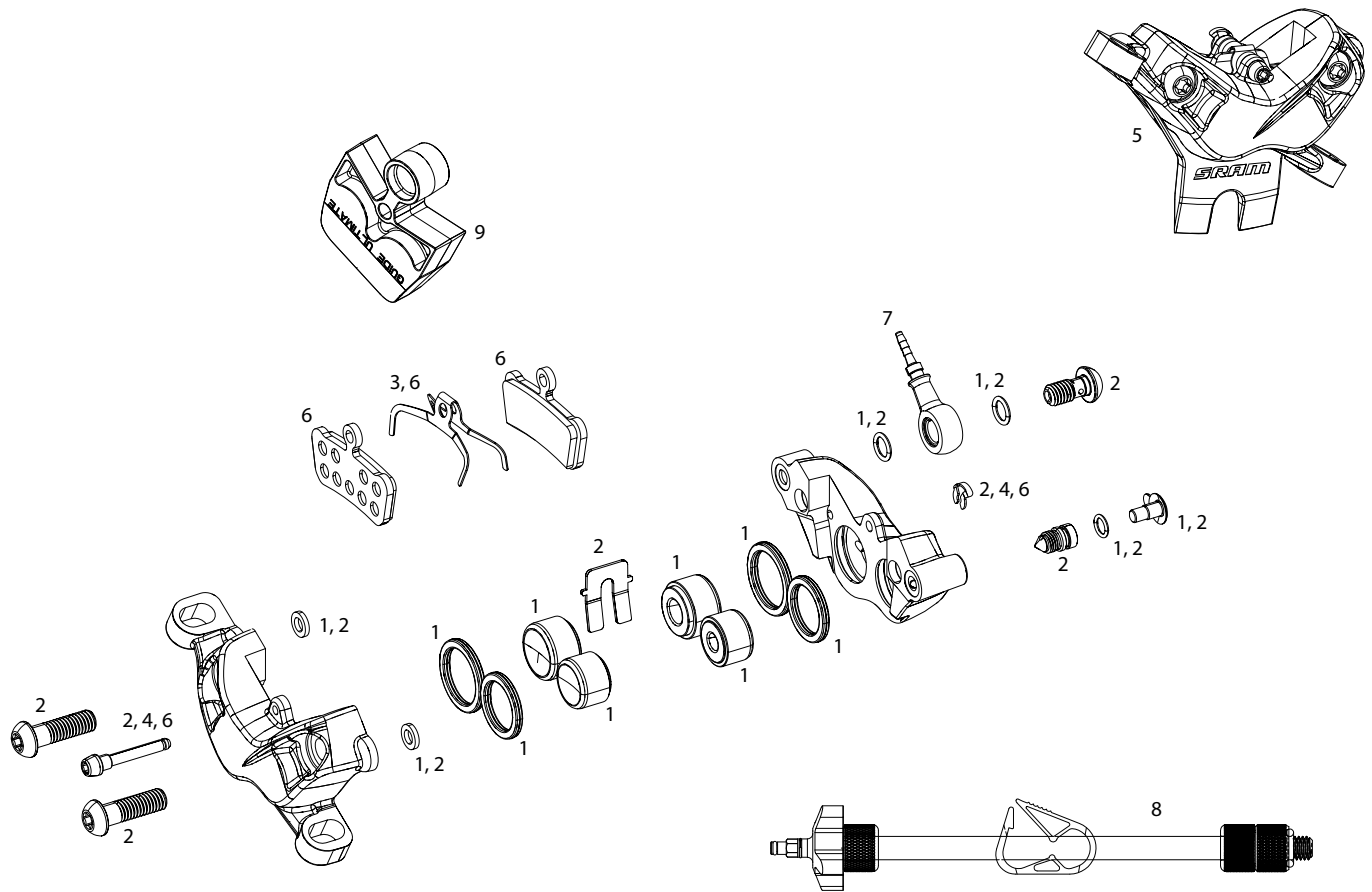
HYDRAULIC LINES & FITTINGS

6	00.5016.168.150	Hydraulic Line Kit - S4 Caliper - Guide Ultimate/Guide RSC (B1)/Guide RS(B1)/Guide R(B1), 2000mm, Black, Qty 1
6	00.5016.168.160	Hydraulic Line Kit - S4 Caliper - Guide Ultimate/Guide RSC (B1)/Guide RS(B1)/Guide R(B1), 2000mm, White, Qty 1
ns	11.5309.766.000	Hydraulic Disc Brake Compression Hose Nut, Qty 5
ns	11.5378.803.004	Hydraulic Disc Brake Hose Fitting Kit (includes 1 threaded hosebarb, 1 red comp fitting) Qty 1 - Stealthmajig
ns	11.5378.803.002	Hydraulic Disc Brake Hose Fitting Kit (includes 5 threaded hosebarbs, 5 red comp fittings, 1 T8 Torx) Qty 5
ns	11.5378.803.003	Hydraulic Disc Brake Hose Fitting Kit (includes 50 threaded hosebarbs, 50 red comp fittings, 1 T8 Torx) Qty 50

TOOLS

7	00.5318.015.001	SRAM Tool Bleeding Edge (works with Avid/SRAM Pro Bleed Kits) -S4/Monoblock Calipers, Guide Ultimate/RSC (B1)/RS (B1)/R(B1),Level Ult/Level TLM, Code RSC/R
8	11.5015.014.070	Bleed Block S4 Calipers - Guide Ultimate/RSC B1/RS B1/R B1





NOTES:

- 1. See lever pages for exploded view of Hydraulic Line kits
- 2. SRAM Tool Bleeding Edge needed to bleed GUIDE Ultimate brakes
- 3. Banjo only available in the Hydraulic Line Kit as it has a crimp factory fitting to attach it to the hose

CALIPER SPARES

No. Part Number Description

1	11.5018.020.002	Caliper Piston Kit (includes 2-16mm & 2-14mm Aluminum caliper pistons, seals & O-rings) - Guide Ultimate
2	11.5018.021.003	Caliper Hardware Kit (includes Ti body bolts, Ti banjo bolt, bleed screw, pad pin) S4 Caliper - GUIDE Ultimate
3	11.5018.006.001	Pad Spreader Guide Ultimate Qty 2
4	11.5018.033.000	Pad Pin Kit, Stainless Steel, Qty 2 S4 Caliper - Code/Guide Ultimate/RSC (B1)/RS(B1)/R(B1)
5	11.5018.008.024	Caliper Assembly Standard (non-CPS) Artic Grey (assembled, no hose) - Guide Ultimate
5	11.5018.008.025	Caliper Assembly Standard (non-CPS) Black Anodized (assembled, no hose) - Guide Ultimate

BRAKE PADS

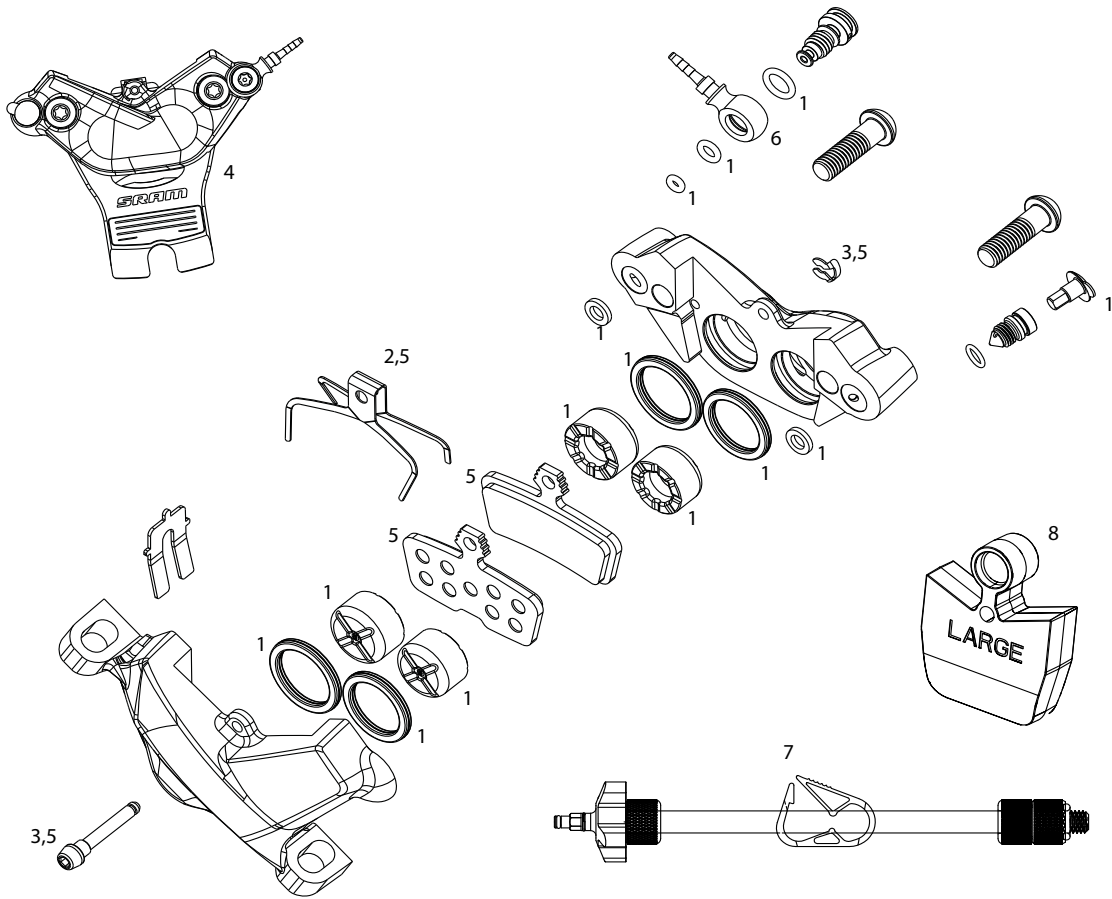
6	00.5318.003.003	Disc Brake Pads Organic/Alum, (1 set) - Trail/Guide
6	00.5318.003.004	Disc Brake Pads Organic/Steel, (1 set) - Trail/Guide
6	00.5318.003.005	Disc Brake Pads Sintered/Steel, (1 set) - Trail/Guide

HYDRAULIC LINES & FITTINGS

7	00.5016.168.150	Hydraulic Line Kit - S4 Caliper - Guide Ultimate/Guide RSC (B1)/Guide RS(B1)/Guide R(B1), 2000mm, Black, Qty 1
7	00.5016.168.160	Hydraulic Line Kit - S4 Caliper - Guide Ultimate/Guide RSC (B1)/Guide RS(B1)/Guide R(B1), 2000mm, White, Qty 1
ns	11.5309.766.000	Hydraulic Disc Brake Compression Hose Nut, Qty 5
ns	11.5378.803.004	Hydraulic Disc Brake Hose Fitting Kit (includes 1 threaded hosebarb, 1 red comp fitting) Qty 1 - Stealthmajig
ns	11.5378.803.002	Hydraulic Disc Brake Hose Fitting Kit (includes 5 threaded hosebarbs, 5 red comp fittings, 1 T8 Torx) Qty 5
ns	11.5378.803.003	Hydraulic Disc Brake Hose Fitting Kit (includes 50 threaded hosebarbs, 50 red comp fittings, 1 T8 Torx) Qty 50

TOOLS

8	00.5318.015.001	SRAM Tool Bleeding Edge (works with Avid/SRAM Pro Bleed Kits) -S4/Monoblock Calipers, Guide Ultimate/RSC (B1)/RS (B1)/R(B1), Level Ult/Level TLM, Code RSC/R
9	11.5015.014.070	Bleed Block S4 Calipers - Guide Ultimate/RSC B1/RS B1/R B1



NOTES:

- 1. See lever pages for exploded view of Hydraulic Line kits
- 2. SRAM Tool Bleeding Edge needed to bleed Code brakes

CALIPER SPARES

No.	Part Number	Description
1	11.5018.020.007	Caliper Piston Kit (includes 2-16mm & 2-15mm caliper pistons, seals & orings) - Code R B1/RSC A1
2	11.5015.068.050	Pad Spreader Qty 2 - Code (2011-2017)/Guide RE
3	11.5015.036.040	Pad Pin Kit, Black, Steel, Qty 2 - Elixir/Code/Guide R,RS,RSC
4	11.5018.008.037	Caliper Assembly Standard (non-CPS) Diffusion Black (assembled, no hose) - Code R B1/RSC A1
4	11.5018.008.036	Caliper Assembly Standard (non-CPS) Dark Grey (assembled, nohose) - Code R B1/RSC A1

BRAKE PADS

5	00.5315.023.010	Disc Brake Pads Metal Sintered/Steel - Code 2011+/ Guide RE
5	00.5315.023.020	Disc Brake Pads Organic/Alum - Code 2011+/ Guide RE
5	00.5315.023.030	Disc Brake Pads Organic/Steel - Code 2011+/ Guide RE

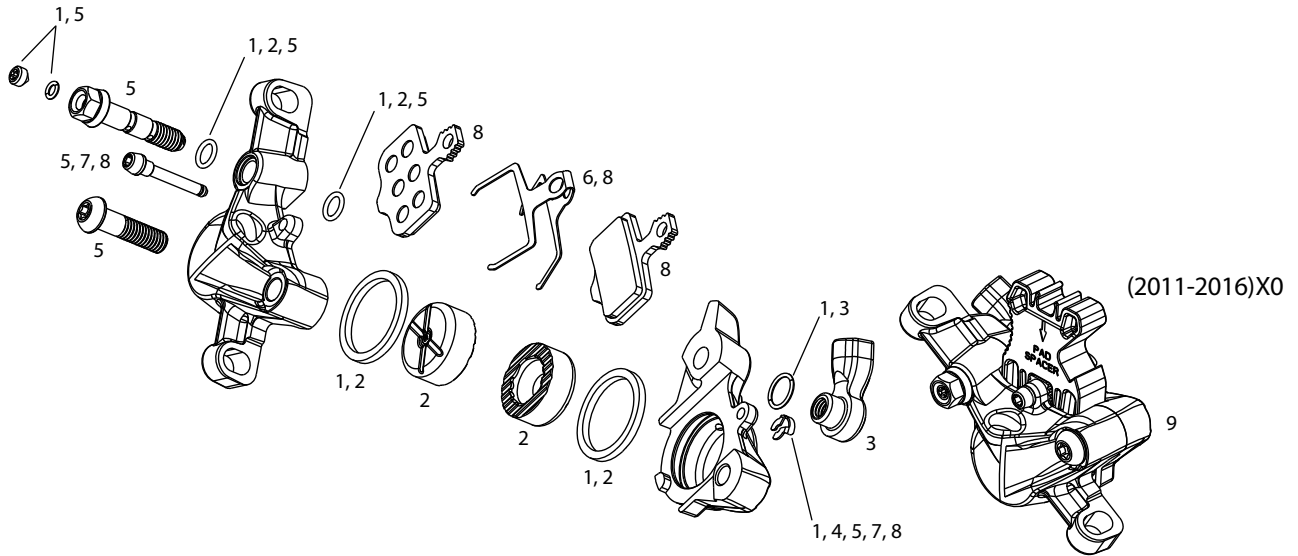
HYDRAULIC LINES & FITTINGS

ns	11.5309.766.000	Hydraulic Disc Brake Compression Hose Nut, Qty 5
ns	11.5378.803.004	Hydraulic Disc Brake Hose Fitting Kit (includes 1 threaded hosebarb, 1 red comp fitting) Qty 1 - Stealthmajig
ns	11.5378.803.002	Hydraulic Disc Brake Hose Fitting Kit (includes 5 threaded hosebarbs, 5 red comp fittings, 1 T8 Torx) Qty 5
ns	11.5378.803.003	Hydraulic Disc Brake Hose Fitting Kit (includes 50 threaded hosebarbs, 50 red comp fittings, 1 T8 Torx) Qty 50
6	00.5016.168.170	Hydraulic Line Kit - Monoblock, 2000mm, Black, Qty 1 - LevelUltimate, Level TLM, CODE R/RSC B1 (2018+)

TOOLS

7	00.5318.015.001	SRAM Tool Bleeding Edge (works with Avid/SRAM Pro Bleed Kits) -S4/Monoblock Calipers, Guide Ultimate/RSC (B1)/RS (B1)/R(B1),Level Ult/Level TLM, Code RSC/R
8	11.5015.014.090	Bleed Block LARGE - Code RSC/R B1





NOTES:

1. See lever pages for exploded view of Hydraulic Line kits

CALIPER SPARES

No.	Part Number	Description
1	11.5015.031.000	Elixir Caliper Service Kit, Qty 1
2	11.5015.032.000	Elixir Caliper Piston Kit, Qty 1
3	11.5015.060.020	Banjo Kit, Black, Qty 1 -Elixir R/CR/CR Mag/X0/Elixir 9/Elixir 7/Guide R,RS,RSC
5	11.5015.033.030	X0 Caliper Hardware Kit (stainless torx - banjo bolt, caliper bolt, pad pin)
6	11.5015.035.000	Elixir/DB Pad Spreader Kit, Qty 2
7	11.5015.036.010	Pad Pin Kit, Silver, Steel, Qty 2 - Elixir/Code/Guide R,RE,RS,RSC
9	11.5015.037.210	Caliper Assembly (CPS) Red/Black - X0 (assembled, no hose)
9	11.5015.037.230	Caliper Assembly (CPS) Black/Black - X0 (assembled, no hose)
9	11.5018.008.006	Caliper Assembly X0 Standard (non-CPS) Black/Red (assembled,no hose) 2013-2016
9	11.5018.008.007	Caliper Assembly X0 Standard (non-CPS) Black/Black (assembled, no hose) 2013-2016
9	11.5018.008.008	Caliper Assembly X0 Standard (non-CPS) Polished Silver (assembled, no hose) 2013-2016

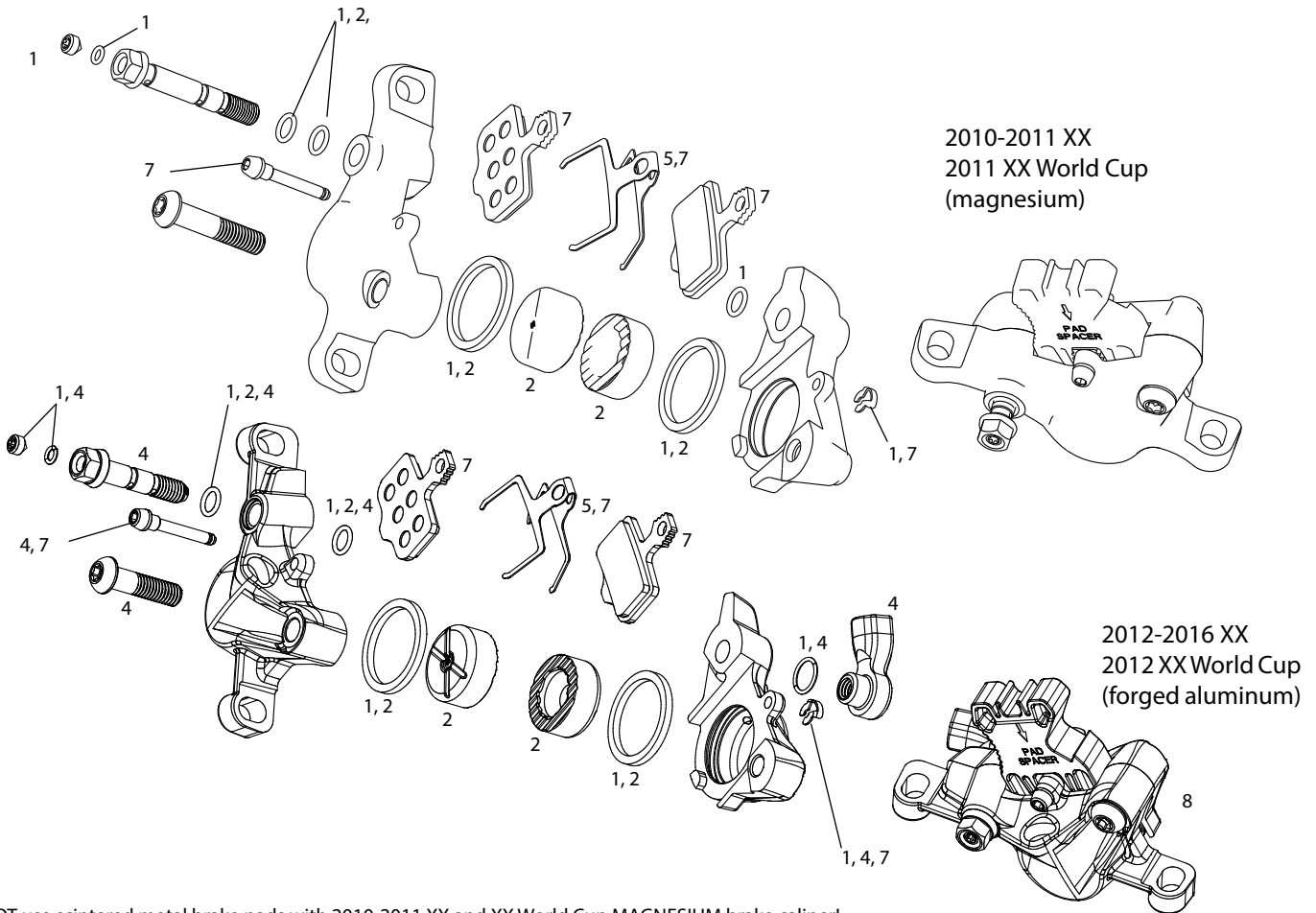
BRAKE PADS

8	00.5315.035.010	Disc Brake Pads Metal Sintered/Steel - Elixir/DB/Level TL/Level T/Level
8	00.5315.035.020	Disc Brake Pads Organic/Alum - Elixir/DB/Level TL/Level T/Level
8	00.5315.035.030	Disc Brake Pads Organic/Steel - Elixir/DB/Level TL/Level T/Level

HYDRAULIC LINES & FITTINGS

ns	00.5016.168.050	Hydraulic Line Kit - Elixir 5, Elixir 7, Elixir 9, Elixir R,Elixir CR, Elixir X0, Elixir CR Mag, 2000mm, Stainless, Black, Qty 1
ns	00.5016.168.060	Hydraulic Line Kit - Elixir 5, Elixir 7, Elixir 9, Elixir R,Elixir CR, Elixir X0, Elixir CR Mag, 2000mm, Stainless, White, Qty 1
ns	11.5309.766.000	Hydraulic Disc Brake Compression Hose Nut, Qty 5
ns	11.5378.803.004	Hydraulic Disc Brake Hose Fitting Kit (includes 1 threaded hosebarb, 1 red comp fitting) Qty 1 - Stealthmajig
ns	11.5378.803.002	Hydraulic Disc Brake Hose Fitting Kit (includes 5 threaded hosebarbs, 5 red comp fittings, 1 T8 Torx) Qty 5
ns	11.5378.803.003	Hydraulic Disc Brake Hose Fitting Kit (includes 50 threadedhosebarbs, 50 red comp fittings, 1 T8 Torx) Qty 50

# XX / XX WORLD CUP - HYDRAULIC DISC BRAKE - CALIPERS (2010-2016)



**NOTES:**

- 1. Do NOT use scintered metal brake pads with 2010-2011 XX and XX World Cup MAGNESIUM brake caliper!
- 2. See lever pages for exploded view of Hydraulic Line kits

## CALIPER SPARES

No.	Part Number	Description
1	11.5015.031.000	Elixir Caliper Service Kit, Qty 1
2	11.5015.032.000	Elixir Caliper Piston Kit, Qty 1
4	11.5015.033.070	XX Caliper Hardware Kit, Ti, Qty 1 (banjo bolt, caliper bolt, pad pin) 2012-2016
5	11.5015.035.000	Elixir/DB Pad Spreader Kit, Qty 2
8	11.5015.037.360	Caliper Assembly (assembled, no hose) - XX World Cup 2012-2013
8	11.5015.037.350	Caliper Assembly (assembled, no hose) - XX 2012-2016

## BRAKE PADS

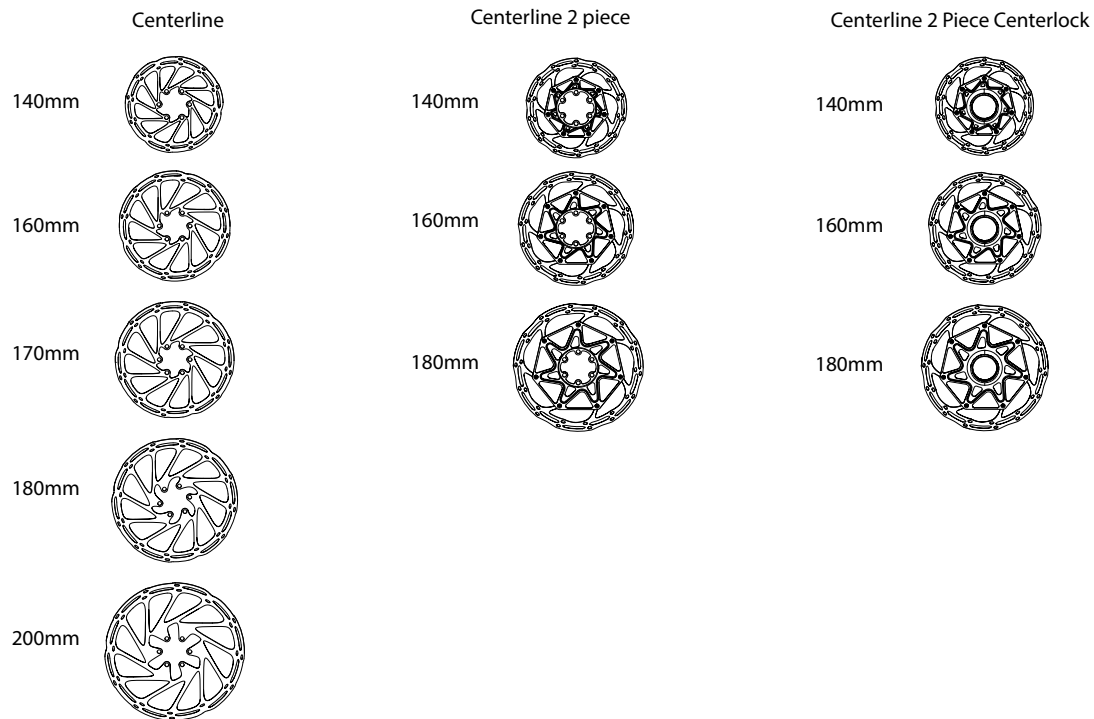
7	00.5315.035.010	Disc Brake Pads Metal Sintered/Steel - Elixir/DB/Level TL/Level T/Level
7	00.5315.035.020	Disc Brake Pads Organic/Alum - Elixir/DB/Level TL/Level T/Level
7	00.5315.035.030	Disc Brake Pads Organic/Steel - Elixir/DB/Level TL/Level T/Level

## HYDRAULIC LINES 2010-2011 XX and XX WORLD CUP CALIPER

ns	00.5016.168.030	Hydraulic Line Kit - XX, Juicy Ultimate, Juicy 7, Juicy 5, 2000mm, Aluminum Banjo, Black, Qty 1
ns	00.5016.168.040	Hydraulic Line Kit - XX, Juicy Ultimate, Juicy 7, Juicy 5, 2000mm, Aluminum Banjo, White, Qty 1

## HYDRAULIC LINES 2012-2016 XX and 2012 XX WORLD CUP CALIPER

ns	00.5016.168.050	Hydraulic Line Kit - Elixir 5, Elixir 7, Elixir 9, Elixir R, Elixir CR, Elixir X0, Elixir CR Mag, 2000mm, Stainless, Black, Qty 1
ns	00.5016.168.060	Hydraulic Line Kit - Elixir 5, Elixir 7, Elixir 9, Elixir R, Elixir CR, Elixir X0, Elixir CR Mag, 2000mm, Stainless, White, Qty 1



NOTES:

1. All rotors pictured are for reference; available if listed below.

Part Number Description

- 00.5018.037.000 Rotor Centerline 140mm
- 00.5018.037.001 Rotor Centerline 160mm
- 00.5018.037.002 Rotor Centerline 170mm
- 00.5018.037.003 Rotor Centerline 180mm
- 00.5018.037.004 Rotor Centerline 200mm
- 00.5018.037.005 Rotor Centerline 2 Piece 140mm Black (includes Ti rotor bolts)
- 00.5018.037.006 Rotor Centerline 2 Piece 160mm Black (includes Ti rotor bolts)
- 00.5018.037.007 Rotor Centerline 2 Piece 180mm Black (includes Ti rotor bolts)
- 00.5018.037.008 Rotor Centerline 2 Piece CenterLock 140mm Black
- 00.5018.037.009 Rotor Centerline 2 Piece CenterLock 160mm Black
- 00.5018.037.010 Rotor Centerline 2 Piece CenterLock 180mm Black
- 00.5018.037.011 Rotor Centerline 203mm
- 11.5363.012.300 Rotor Bolt Kit (Qty 6)
- 11.5315.043.000 Rotor Bolt Kit, Ti (Qty 6)
- 11.5315.040.000 AVID Rotor/Hub Shim

## SRAM Disc Brake Caliper Mounting Bracket and Spacer Configurations

Use the chart below to identify the parts you intend to use, then reference the chart on the reverse side to determine the correct bracket and/or spacers. Consult your retailer for the proper rotor sizes for your bicycle.

### Fork/Frame Mount

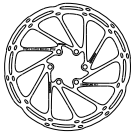
The mounting specification is determined by the fork/frame manufacturer and is not a reference to the rotor size. Consult your manufacturer for the proper mounting specification.

<b>Fork</b>	140 Post (road)
	160 IS
	160 Post
	200 Post (BoXXer 27.5)
	203 Post (Totem)

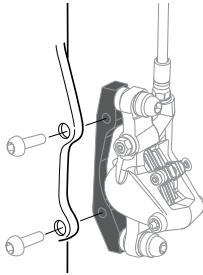
<b>Frame</b>	140 IS
	140 Post
	160 Post
	180 Post

### Rotor Size (mm)

140, 160, 170, 180, 200, or 203



### IS Mount

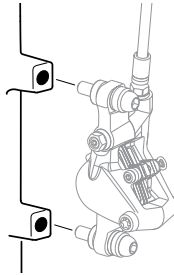


#### IS Bracket (IS)

Converts IS to Post Mount, required for all IS frames/forks.



### Post Mount



#### Direct Mount (Direct)

No bracket or spacers needed.

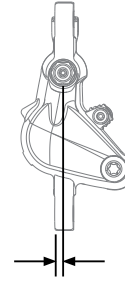
#### Post Brackets (P)



#### Post Spacers (S)



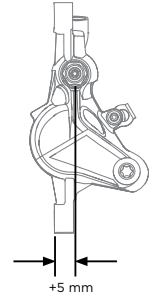
### CPS



#### Inline tabs

CPS washers are needed between caliper and mount.

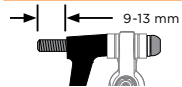
### Standard



#### Offset tabs

No CPS washers are needed between caliper and mount (unless otherwise specified).

### ⚠ WARNING - CRASH HAZARD



There must be 9-13 mm of mounting bolt thread engagement when mounting brake calipers to forks and frames either with or without brackets and/or spacers. Riding a bike with improper bolt engagement can allow the brakes to disengage from the bicycle, which can lead to a crash and serious injury or death to the rider.

95-5018-000-000 Rev B

www.sram.com © 2013 SRAM LLC

### Notes:

#### Forks explained

- 140 Post (Road)
- 160 IS (Mountain)
- 160 Post (BoXXer 26" and Current Mountain)
- 200 Post (BoXXer 27.5")
- 203 Post (Totem)



## Disc Brake Caliper Mounting Bracket and Spacer Configurations

Fork/Frame	Rotor Size (mm)						
	140 mm	160 mm	170 mm	180 mm	185 mm	200 mm	203 mm
140 IS	0 IS	20 IS	30 IS	40 IS	45 IS	60 IS	-
140 Post	0 Direct	20 S/20 P*	30 P	40 P	-	-	-
160 IS	-	0 IS	-	20 IS	25 IS	40 IS	-
160 Post	-	Direct	10 S	20 S/20 P*	25 S	40 P	-
180 Post	-	-	-	Direct	-	20 S/20 P*	-
200 Post (BXR 27)	-	-	-	-	-	Direct	3 S
203 Post (Totem)	-	-	-	-	-	-	Direct

\*20 P is only available on products from the Original Equipment bicycle Manufacturer (OEM)

### CPS: GUIDE RE, (CODE, CODE R PRE 2018), E9, E7, E5, E3, BB7, BB5, BB3, JUICY & (XX, XO PRE 2013)

Direct	10 S	20 S/20 P*	25 S	30 P	40 P	IS
Upper Bolt: 29 mm	Upper Bolt: 37.5 mm	Upper Bolt: 43 mm	Upper Bolt: 46 mm	Upper Bolt: 50 mm	Upper Bolt: 29 mm	Upper Bolt: 29 mm
Upper Spacer: N/A	Upper Spacer: 12.5 mm	Upper Spacer: 17.5 mm (20 P: N/A)	Upper Spacer: 20.5 mm	Upper Spacer: N/A	Upper Spacer: N/A	Upper Spacer: N/A
Lower Bolt: 29 mm	Lower Bolt: 32 mm	Lower Bolt: 37.5 mm	Lower Bolt: 40.5 mm	Lower Bolt: 43 mm	Lower Bolt: 29 mm	Lower Bolt: 29 mm
Lower Spacer: N/A	Lower Spacer: 7.5 mm	Lower Spacer: 12.5 mm (20 P: N/A)	Lower Spacer: 15 mm	Lower Spacer: N/A	Lower Spacer: N/A	Lower Spacer: N/A
Direct Post Mount	10 Post Spacer	20 Post Spacer/20 Post Bracket	25 Post Spacer	30 Post Bracket	40 Post Bracket	0 IS, 20 IS, 30 IS, 40 IS, 60 IS

### Standard: GUIDE, LEVEL, TRAIL, DB, ROAD HYDRAULIC, ( XX, XO & E1 2013+) & (CODE R, CODE RSC 2018+)

Direct	3 S	10 S	20 S/20 P*	25 S	30 P	40 P	IS
Upper Bolt: 16.8 mm	Upper Bolt: TBD mm	Upper Bolt: 24 mm	Upper Bolt: 37.5 mm	Upper Bolt: 43 mm	Upper Bolt: 46 mm	Upper Bolt: 16.8 mm	Upper Bolt: 16.8 mm
Upper Spacer: N/A	Upper Spacer: TBD mm	Upper Spacer: 6 mm	Upper Spacer: 12.5 mm (20 P: N/A)	Upper Spacer: 17.5 mm	Upper Spacer: N/A	Upper Spacer: N/A	Upper Spacer: N/A
Lower Bolt: 16.8 mm	Lower Bolt: TBD mm	Lower Bolt: 24 mm	Lower Bolt: 32 mm	Lower Bolt: 37.5 mm	Lower Bolt: 37.5 mm	Lower Bolt: 16.8 mm	Lower Bolt: 16.8 mm
Lower Spacer: N/A	Lower Spacer: TBD mm	Lower Spacer: 6 mm	Lower Spacer: 7.5 mm (20 P: N/A)	Lower Spacer: 10 mm	Lower Spacer: N/A	Lower Spacer: N/A	Lower Spacer: N/A
Direct Post Mount	3 Post Spacer	10 Post Spacer	20 Post Spacer/20 Post Bracket	25 Post Spacer	30 Post Bracket	40 Post Bracket	0 IS, 20 IS, 30 IS, 40 IS, 60 IS

95-5018-000-000

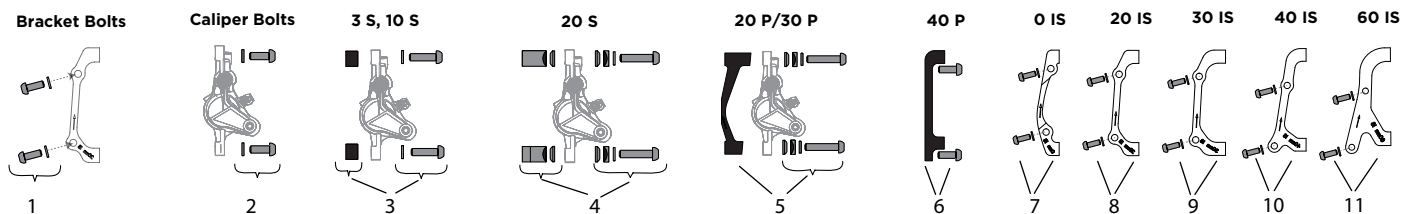
www.sram.com © 2013 SRAM LLC



# MOUNTING BRACKETS & TOWERS/SPACERS / HARDWARE

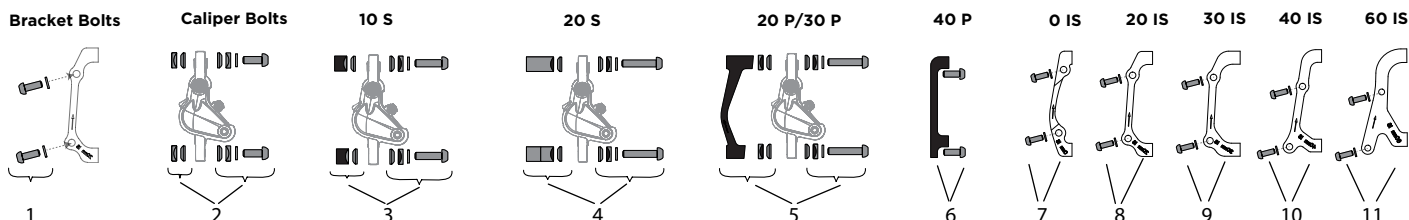


**Standard: GUIDE, LEVEL TRAIL, DB, Road Hydraulic, (XX, XO & E1 2013+) & (CODE R, CODE RSC 2018+)**



No.	Part Number	Description
1	00.5318.005.000	Bracket Mounting Bolts - Stainless (2 pcs)
1	00.5318.005.001	Bracket Mounting Bolts - Titanium T25 (2 pcs)
2	00.5318.006.000	Caliper Mounting Hardware (also Direct Mount) Stainless - Includes Caliper Mounting Bolts & washers (CPS & Standard)
2	00.5318.006.001	Caliper Mounting Hardware (also Direct Mount) Titanium T25 - Includes Caliper Mounting Bolts & washers (Standard)
3	00.5318.008.005	Post Spacer Set - 20 S (Front 180/Rear 160), Includes Titanium T25 Caliper Mounting Bolts (CPS)
3	00.5318.008.000	Post Spacer Set - 10 S (Front 170), Includes Stainless Caliper Mounting Bolts (CPS & Standard)
4	00.5318.008.003	Post Spacer Set - 20 S (Front 180/Rear 160), Includes Stainless Caliper Mounting Bolts (CPS & Standard)
4	00.5318.008.004	Post Spacer Set - 20 S (Front 180/Rear 160), Includes Titanium T25 Caliper Mounting Bolts (Standard)
4	00.5318.008.005	Post Spacer Set - 20 S (Front 180/Rear 160), Includes Titanium T25 Caliper Mounting Bolts (CPS)
5	00.5318.007.004	Post Bracket - 20 P (Front 180/Rear 160), Includes Stainless Caliper Mounting Bolts (CPS & Standard), increased depth for fitment of all calipers including Guide Ultimate
6	00.5318.007.003	Post Bracket - 40 P (Front 200/Rear 180), Includes Stainless Bracket Mounting Bolts
7	00.5318.009.000	IS Bracket - 0 IS (Front 160/Rear 140) Includes Stainless Bracket Mounting Bolts
8	00.5318.009.001	IS Bracket - 20 IS (Front 180/Rear 160) Includes Stainless Bracket Mounting Bolts
9	00.5318.009.002	IS Bracket - 30 IS (Rear 170) Includes Stainless Bracket Mounting Bolts
10	00.5318.009.003	IS Bracket - 40 IS (Front 200/Rear 180) Includes Stainless Bracket Mounting Bolts
11	00.5318.009.004	IS Bracket - 60 IS (Rear 200) Includes Stainless Bracket Mounting Bolts

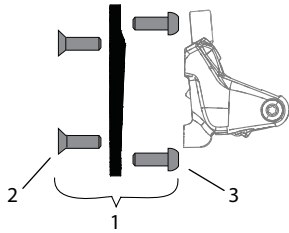
**CPS: GUIDE RE, (Code, Code R PRE 2018), XO, E9, E7, E5, E3, BB7, BB5, JUICY & (XX, XO & E1 PRE 2013)**



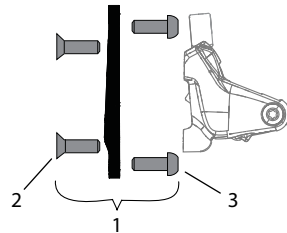
No.	Part Number	Description
1	00.5318.005.000	Bracket Mounting Bolts - Stainless (2 pcs)
1	00.5318.005.001	Bracket Mounting Bolts - Titanium T25 (2 pcs)
2	00.5318.006.000	Caliper Mounting Hardware (also Direct Mount) Stainless - Includes Caliper Mounting Bolts & washers (CPS & Standard)
2	00.5318.006.002	Caliper Mounting Hardware (also Direct Mount) Titanium T25 CPS - Includes Caliper Mounting Bolts & washers (CPS)
3	00.5318.008.000	Post Spacer Set - 10 S (Front 170), Includes Stainless Caliper Mounting Bolts (CPS & Standard)
4	00.5318.008.003	Post Spacer Set - 20 S (Front 180/Rear 160), Includes Stainless Caliper Mounting Bolts (CPS & Standard)
4	00.5318.008.005	Post Spacer Set - 20 S (Front 180/Rear 160), Includes Titanium T25 Caliper Mounting Bolts (CPS)
5	00.5318.007.004	Post Bracket - 20 P (Front 180/Rear 160), Includes Stainless Caliper Mounting Bolts (CPS & Standard), increased depth for fitment of all calipers including Guide Ultimate
5	00.5318.007.000	Post Bracket - 30 P (Rear 170), Includes Stainless Caliper Mounting Bolts (CPS & Standard)
6	00.5318.007.003	Post Bracket - 40 P (Front 200/Rear 180), Includes Stainless Bracket Mounting Bolts
7	00.5318.009.000	IS Bracket - 0 IS (Front 160/Rear 140) Includes Stainless Bracket Mounting Bolts
8	00.5318.009.001	IS Bracket - 20 IS (Front 180/Rear 160) Includes Stainless Bracket Mounting Bolts
9	00.5318.009.002	IS Bracket - 30 IS (Rear 170) Includes Stainless Bracket Mounting Bolts
10	00.5318.009.003	IS Bracket - 40 IS (Front 200/Rear 180) Includes Stainless Bracket Mounting Bolts
11	00.5318.009.004	IS Bracket - 60 IS (Rear 200) Includes Stainless Bracket Mounting Bolts

**NOTES:**

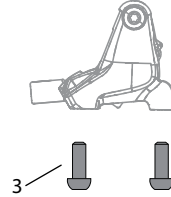
1. CPS = Caliper Positioning System. CPS caliper requires CPS hardware
2. Non-CPS/Standard caliper requires non-CPS/Standard hardware.
3. 170mm (Fork-10S, Frame-30P), 180mm (Fork-20P/20IS, Frame-40P/40IS), 200mm (Fork-40P/40IS, Frame-60IS)



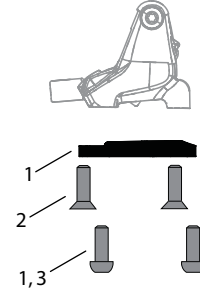
Front Flat 0F



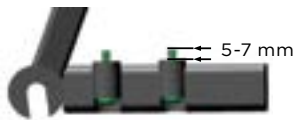
Front Flat 20F



Rear Flat Direct



Rear Flat 20F



NOTES:

1. There must be 5-7 mm of mounting bolt thread engagement when mounting brake calipers to forks and frames with flatmount hardware and brackets.

BRACKETS

No.	Part Number	Description
1	00.5318.018.000	Flat Mount Bracket Front - 0F/20F (Front 140/Front 160), Includes 2 Stainless Bracket & Caliper Mounting Bolts
1	00.5318.018.001	Flat Mount Bracket Rear - 20F(Rear 160), Includes 2 Stainless Bracket Mounting Bolts

CALIPER MOUNTING BOLTS

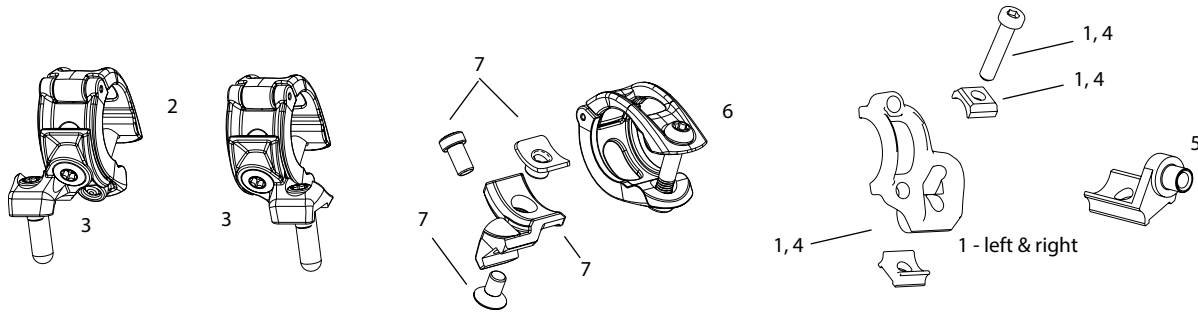
2	00.5318.006.003	Caliper Mounting Hardware Stainless T25 5mm (2 pcs) - Flat Mount Caliper
2	00.5318.006.004	Caliper Mounting Hardware Titanium T25 5mm (2 pcs) - Flat Mount Caliper

BRACKET MOUNTING BOLTS

3	00.5318.005.002	Bracket Mounting Bolts - Stainless T25 15mm (2 Pcs) - Flat Mount Caliper
3	00.5318.005.003	Bracket Mounting Bolts - Titanium T25 15mm (2 Pcs) - Flat Mount Caliper
3	00.5318.005.004	Bracket Mounting Bolts - Stainless T25 27mm (2 Pcs) - Flat Mount Caliper
3	00.5318.005.005	Bracket Mounting Bolts - Titanium T25 27mm (2 Pcs) - Flat Mount Caliper
3	00.5318.005.006	Bracket Mounting Bolts - Stainless T25 32mm (2 Pcs) - Flat Mount Caliper
3	00.5318.005.007	Bracket Mounting Bolts - Titanium T25 32mm (2 Pcs) - Flat Mount Caliper
3	00.5318.005.008	Bracket Mounting Bolts - Stainless T25 37mm (2 Pcs) - Flat Mount Caliper
3	00.5318.005.009	Bracket Mounting Bolts - Titanium T25 37mm (2 Pcs) - Flat Mount Caliper
3	00.5318.005.010	Bracket Mounting Bolts - Stainless T25 42mm (2 Pcs) - Flat Mount Caliper
3	00.5318.005.011	Bracket Mounting Bolts - Titanium T25 42mm (2 Pcs) - Flat Mount Caliper
3	00.5318.005.012	Bracket Mounting Bolts - Stainless T25 17mm (2 Pcs) - Flat Mount Caliper
3	00.5318.005.013	Bracket Mounting Bolts - Titanium T25 17mm (2 Pcs) - Flat Mount Caliper
3	00.5318.005.014	Bracket Mounting Bolts - Stainless T25 22mm (2 Pcs) - Flat Mount Caliper
3	00.5318.005.015	Bracket Mounting Bolts - Titanium T25 22mm (2 Pcs) - Flat Mount Caliper

# MATCHMAKER / BRAKE PADS / HYDRAULIC LINES & FITTINGS

## MATCHMAKER / MATCHMAKER X



### No. Part Number

1	00.5315.006.000	Matchmaker Pair
2	00.5315.018.030	MatchMaker X, Pair, Black (compatible with all SRAM MM-compatible shifters)- Guide, Level, DB5 Elixir 9/7/CR Mag/X0/ XX
3	00.5315.018.040	MatchMaker X, Single Left, Black (compatible with all SRAM MM-compatible shifters)- Guide, Level, DB5 Elixir 9/7/CR Mag/X0/ XX
3	00.5315.018.050	MatchMaker X, Single Right, Black (compatible with all SRAMMM-compatible shifters)- Guide, Level, DB5 Elixir 9/7/CR Mag/X0/ XX
4	11.5315.039.000	Matchmaker Hardware Kit
5	11.4315.007.000	PUSHLOC/MATCHMAKER/TRIGGER KNUCKLE L/R
6	11.5315.048.050	MMX Clamp, Silver, Lever (Stainless Steel Bolt T25) - GuideULT/RSC/RS/RE/R,Level ULT/TLM/TL, Code RSC/R, DB5 Elixir 9/7/CR Mag/X0/ XX, Qty 1
6	11.5315.048.070	MMX Clamp, Black, Lever (Stainless Steel Bolt T25) - Guide ULT/RSC/RS/RE/R,Level ULT/TLM/TL, Code RSC/R, DB5 Elixir 9/7/CR Mag/X0/ XX, Qty 1
6	11.5315.048.080	MMX Clamp, Black, Lever (Ti Bolt T25) - Guide ULT/RSC/RS/RE/R,Level ULT/TLM/TL, Code RSC/R, DB5 Elixir 9/7/CR Mag/X0/ XX, Qty 1
7	11.5315.049.010	MMX/Shifter Mounting Bracket, Left - Guide ULT/RSC/RS/RE/R,Level ULT/TLM/TL, Code RSC/R, DB5 Elixir 9/7/CR Mag/X0/ XX, Qty 1
7	11.5315.049.020	MMX/Shifter Mounting Bracket, Right - Guide ULT/RSC/RS/RE/R,Level ULT/TLM/TL, Code RSC/R, DB5 Elixir 9/7/CR Mag/X0/ XX,Qty 1

## BRAKE PADS

00.5315.023.010	Disc Brake Pads Metal Sintered/Steel - Code 2011+/- Guide RE
00.5315.023.020	Disc Brake Pads Organic/Alum - Code 2011+/- Guide RE
00.5315.023.030	Disc Brake Pads Organic/Steel - Code 2011+/- Guide RE
00.5315.035.010	Disc Brake Pads Metal Sintered/Steel - Elixir/DB/Level TL/Level T/Level
00.5315.035.020	Disc Brake Pads Organic/Alum - Elixir/DB/Level TL/Level T/Level
00.5315.035.030	Disc Brake Pads Organic/Steel - Elixir/DB/Level TL/Level T/Level
00.5318.003.003	Disc Brake Pads Organic/Alum, (1 set) - Trail/Guide
00.5318.003.004	Disc Brake Pads Organic/Steel, (1 set) - Trail/Guide
00.5318.003.005	Disc Brake Pads Sintered/Steel, (1 set) - Trail/Guide
00.5318.010.002	Disc Brake Pads Organic/Steel (includes guide pin, clip & pad spreader) - SRAM Hydraulic Road Disc, Level Ultimate/TLM
00.5318.010.003	Disc Brake Pads Organic/Aluminum (includes guide pin, clip & pad spreader) - SRAM Hydraulic Road Disc, Level Ultimate/TLM
00.5318.010.004	Disc Brake Pads Sintered/Steel (includes guide pin, clip & pad spreader) - SRAM Hydraulic Road Disc, Level Ultimate/TLM

## HYDRAULIC LINES & FITTINGS

00.5016.168.010	Hydraulic Line Kit - Code/Code R/Elixir 3/Elixir 1/Juicy 3/DB 3/DB 1/Level T/Level/Guide RE, 2000mm, Black, Qty 1
00.5016.168.020	Hydraulic Line Kit - Code/Code R/Elixir 3/Elixir 1/Juicy 3/DB 3/DB 1/Level T/Level/Guide RE, 2000mm, White, Qty 1
00.5016.168.030	Hydraulic Line Kit - XX, Juicy Ultimate, Juicy 7, Juicy 5, 2000mm, Aluminum Banjo, Black, Qty 1
00.5016.168.040	Hydraulic Line Kit - XX, Juicy Ultimate, Juicy 7, Juicy 5, 2000mm, Aluminum Banjo, White, Qty 1
00.5016.168.050	Hydraulic Line Kit - Elixir 5, Elixir 7, Elixir 9, Elixir R,Elixir CR, Elixir X0, Elixir CR Mag, 2000mm, Stainless, Black, Qty 1
00.5016.168.060	Hydraulic Line Kit - Elixir 5, Elixir 7, Elixir 9, Elixir R,Elixir CR, Elixir X0, Elixir CR Mag, 2000mm, Stainless, White, Qty 1
00.5016.168.130	Hydraulic Line Kit - Guide RSC/Guide RS/Guide R/DB5/Level TL, 2000mm, Stainless, Black, Qty 1
00.5016.168.140	Hydraulic Line Kit - Guide RSC/Guide RS/Guide R/DB5/Level TL, 2000mm, Stainless, White, Qty 1
00.5016.168.150	Hydraulic Line Kit - S4 Caliper - Guide Ultimate/Guide RSC (B1)/Guide RS(B1)/Guide R(B1), 2000mm, Black, Qty 1
00.5016.168.160	Hydraulic Line Kit - S4 Caliper - Guide Ultimate/Guide RSC (B1)/Guide RS(B1)/Guide R(B1), 2000mm, White, Qty 1
00.5016.168.170	Hydraulic Line Kit - Monoblock, 2000mm, Black, Qty 1 - LevelUltimate, Level TLM, CODE R/RSC B1 (2018+)
00.5318.011.001	Disc Brake Hydraulic Hose Kit SRAM Road Black 2000mm (includes caliper banjo & fittings)
00.5318.011.002	Rim Brake Hydraulic Hose Kit SRAM Road Black 2000mm (includes caliper banjo & fittings)
00.5318.011.003	Disc Brake Hydraulic Hose Kit SRAM Road Black 2000mm (includes caliper banjo & fittings) - Flat Mount Calipers
11.5378.803.004	Hydraulic Disc Brake Hose Fitting Kit (includes 1 threaded hosebarb, 1 red comp fitting) Qty 1 - Stealthmajig
11.5378.803.002	Hydraulic Disc Brake Hose Fitting Kit (includes 5 threaded hosebarbs, 5 red comp fittings, 1 T8 Torx) Qty 5
11.5378.803.003	Hydraulic Disc Brake Hose Fitting Kit (includes 50 threadedhosebarbs, 50 red comp fittings, 1 T8 Torx) Qty 50
11.5309.766.000	Hydraulic Disc Brake Compression Hose Nut, Qty 5

## BLEED KITS / TOOLS / BRAKE FLUID / GREASE

### BLEED KITS & FITTINGS

Part Number	Description
00.5318.016.000	Standard Brake Bleed Kit (includes 2 syringes/fittings, bleed blocks, Torx tool, Crow's foot, Bleeding Edge Fitting, DOT5.1 hydraulic fluid) - SRAM X0/ XX/ Guide/Level/Code/HydroR
00.5318.016.001	Standard Brake Bleed Kit (includes 2 syringes/fittings, bleed blocks, Torx tool, Crow's foot, Bleeding Edge Fitting) - SRAM X0/ XX/ Guide/Level/Code/HydroR
00.5318.016.002	Pro Brake Bleed Kit (includes 2 syringes/fittings, bleed blocks, Torx tool, Crow's foot, Bleeding Edge Fitting, DOT 5.1 hydraulic fluid) - SRAM X0/ XX/ Guide/Level/Code/HydroR
00.5318.016.003	Pro Brake Bleed Kit (includes 2 syringes/fittings, bleed blocks, Torx tool, Crow's foot, Bleeding Edge Fitting) - SRAM X0/ XX/ Guide/Level/Code/HydroR
00.5318.015.001	SRAM Tool Bleeding Edge (works with Avid/SRAM Pro Bleed Kits) -S4/Monoblock Calipers, Guide Ultimate/RSC (B1)/RS (B1)/R(B1),Level Ult/Level TLM, Code RSC/R
11.5378.801.000	Bleed Kit Hose Clamp Quantity 10
11.5315.053.040	O-ring Kit - Pro Bleed Syringe (includes Fitting O-ring2 , Coupling O-rings & Bleeding Edge O-rings) SRAM - Qty 10 each

### BLEED BLOCKS & PAD SPREADER TOOLS

11.5015.014.030	Bleed Block Elixir/DB
11.5015.014.050	Bleed Block Guide/Trail
11.5315.046.020	Pad Spreader Tool - Elixir/DB Caliper Qty 2
11.5315.046.040	Pad Spreader Tool - Guide/Trail/Code Caliper Qty 2
11.5015.014.040	Bleed Block Code 2011
11.5015.014.060	Bleed Block Hydraulic Road Disc
11.5015.014.070	Bleed Block S4 Calipers - Guide Ultimate/RSC B1/RS B1/R B1
11.5015.014.080	Bleed Block Monoblock - Level Ulitamte/TLM/ eTap HRD

### TOOLS

00.5015.366.000	AVID Hydraulic Hose Cutter Tool
00.5315.028.010	Hydraulic Hose Cutter Tool, Hand-Held - Avid
00.5315.028.030	BARB DRIVER TOOL, HAND HELD - AVID
00.5318.015.001	SRAM Tool Bleeding Edge (works with Avid/SRAM Pro Bleed Kits) -S4/Monoblock Calipers, Guide Ultimate/RSC (B1)/RS (B1)/R(B1),Level Ult/Level TLM, Code RSC/R
00.5318.015.002	SRAM Tool Lever Pivot Tool (for lever removal & lever service) - Level TLM/TL
00.5318.015.003	SRAM Monoblock Caliper 21mm Piston Removal Tool (includes plug & removal block) - Level Ultimate/TLM/ eTap HRD
11.5315.050.010	Elixir Lever Pivot Bearing Press Tool (required for 2010 Elixir CR Mag and XX)
11.5364.102.000	Rotor Torx Wrench (T25, T10)
00.5318.013.002	Hydraulic Hose Cutter Tool, Hand-Held - SRAM
00.5318.013.003	Pro Hydraulic Hose Cutter Tool, Hand-Held - SRAM

### GREASE & FLUIDS

00.5318.017.000	DOT 5.1 Hydraulic Brake Fluid 4oz(120ml) - SRAM
00.5318.023.000	Grease SRAM DOT Assembly Grease 1oz - Recommended for LeverPistons, Hose Compression Nuts, Threaded Barbs & Olives

## TACKLEBOX/ BULK KITS

### TACKLEBOX

Part Number	Description
11.5018.035.000	SRAM Guide Spare Parts Tackle box - Disc Brake

### BULK KITS

11.5309.766.000	Hydraulic Disc Brake Compression Hose Nut, Qty 5
11.5018.036.008	Bulk Caliper Bleed Valve and O-Ring, Qty 10 - S4 Caliper, Guide Ultimate
11.5018.036.009	Bulk Bleeder Valve Cap, Qty 10 - S4 Caliper, Guide Ultimate
11.5015.069.010	Set Screw & O-Ring (Banjo Bolt Bleed) Qty 20
11.5215.019.000	Reservoir Bleed Screw/O-Ring Stainless Qty 20
11.5018.036.000	Bulk Pin Bushing SwingLink, Qty 20 – Guide RS/RSC/Ulimate
11.5018.036.001	Bulk Pivot Bolt, Qty 20 - X0 Trail, Guide RSC/Ulimate
11.5018.036.002	Bulk Reservoir Cap Bolt, Qty 10 - Juicy 7, Juicy Ultimate, DB5, Guide
11.5015.069.320	U Clamp Bolt (X0/XX/E9/E7/Code R) Qty 20
11.5018.036.003	Bulk Reservoir Bladder, Qty 10 - DB5, Guide
11.5018.036.004	Bulk Set Screw SwingLink, Qty 5 – Guide RS/RSC/Ulimate
11.5018.036.007	Bulk Pad Spreader, Qty 10 - S4 Caliper, Guide Ultimate
11.5018.036.005	Bulk Detent Spring and Ball, Qty 10 - Guide RSC/Ulimate
11.5018.036.010	Bulk Piston Assembly and Return Spring, Qty 5 - Guide R/RS
11.5018.036.011	Bulk Piston Assembly and Return Spring, Qty 5 - Guide RSC/Ulimate
11.5015.069.330	Rotor Bolts T25 Steel Qty 24
11.5018.036.016	Bulk CPS Mounting Bolt 18mm, Qty 20 - IS Bracket, 40P Bracket
11.5018.036.017	Bulk CPS Mounting Bolt 32mm, Qty 20 - 10S Spacer, 20mm PostBracket
11.5018.036.018	Bulk CPS Mounting Bolt 35.7mm, Qty 20 - 10S Spacer, 20mm Post Bracket
11.5015.069.300	CPS Spacer Set Qty 10
11.5015.069.150	O-Ring, Banjo Bolt, Qty 40
11.5018.036.012	Bulk Caliper Piston Seals, Qty 10 sets - Trail Caliper, Guide R/RS/RSC
11.5018.036.013	Bulk Caliper Piston Seals, Qty 10 sets - S4 Caliper, Guide Ultimate
11.5015.069.410	Pad Spreader - Guide/Trail, Qty 20
11.5018.036.014	Bulk Brake Pad Stainless Guide Pin and E-Clip, Qty 20 - Trail Caliper, S4 Caliper, Guide
11.5018.036.015	Bulk Caliper Body O-Ring, Qty 40 - S4 Caliper, Guide Ultimate
11.5018.036.006	Bulk Lever Boot, Qty 10 - DB5, Guide
11.5364.102.000	Rotor Torx Wrench (T25, T10)
00.5318.015.000	SRAM Guide Lever Internals Assembly Tool (for setting pushrod distance and installing internals)
00.5318.015.001	SRAM Tool Bleeding Edge (works with Avid/SRAM Pro Bleed Kits) -S4/Monoblock Calipers, Guide Ultimate/RSC (B1)/RS (B1)/R(B1),Level Ult/Level TLM, Code RSC/R
11.5018.037.000	Disc Brake Pads Organic/Steel - SRAM Hydraulic Road Disc, Level Ultimate/TLM 20 Sets
11.5018.037.001	Disc Brake Pads Organic/Aluminum - SRAM Hydraulic Road Disc, Level Ultimate/TLM 20 Sets
11.5018.037.002	Disc Brake Pads Sintered/Steel - SRAM Hydraulic Road Disc, Level Ultimate/TLM 20 Sets
11.5015.040.030	Disc Brake Pads Sintered/Steel - Guide/Trail 20 sets
11.5015.040.060	Disc Brake Pads Organic/Steel - Guide/Trail 20 sets
11.5015.040.070	Disc Brake Pads Organic/Aluminum - Guide/Trail 20 sets

---

NOTES

COPYRIGHT

This publication includes trademarks and registered trademarks of SRAM LLC designated by the symbols ™ and ®, respectively.

Copyright © 2017 SRAM LLC

[www.sram.com](http://www.sram.com)

**world headquarters**  
SRAM LLC  
1000 w. fulton market  
chicago, il 60607  
phone +1-312-664-8800  
fax +1-312-664-8826

**european headquarters**  
SRAM europe  
paasbosweg 14-16  
3862ZS nijkerk  
the netherlands  
phone +31-33-450-6060  
fax +31-33-457-0200

**asian headquarters**  
SRAM taiwan  
no. 1598-8 chung shan rd  
shen kang hsiang, taichung  
county road 49 taiwan r.o.c.  
phone +886-4-2564-3678  
fax +886-4-2561-3686