

INSTRUCTION GUIDE

ROVAL WHEEL TUBELESS PLUG INSTALLATION



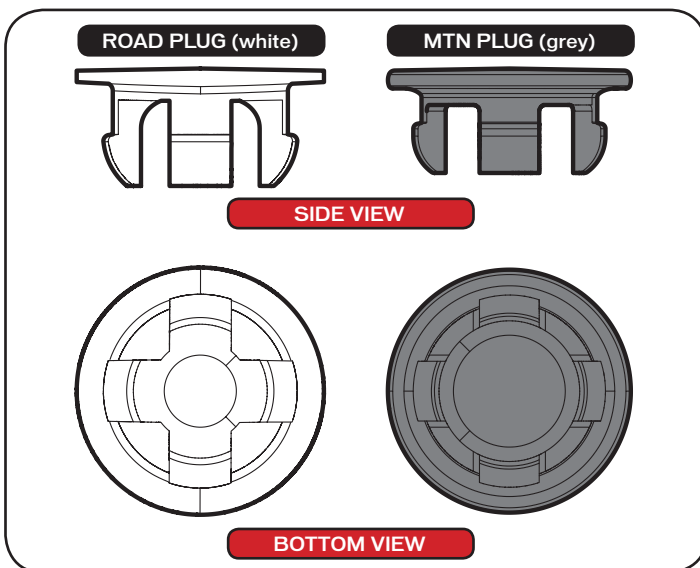
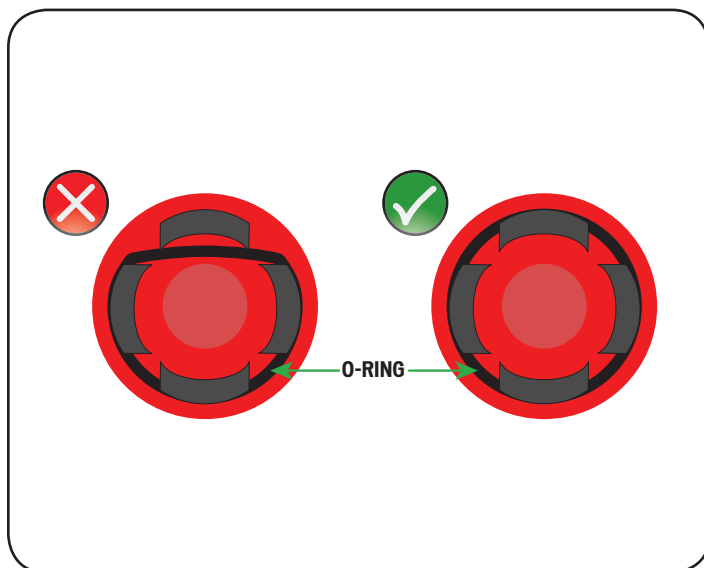
THIS BRIEF INSTRUCTION GUIDE CONTAINS IMPORTANT INFORMATION.
PLEASE READ CAREFULLY AND STORE IN A SAFE PLACE.

This instruction guide contains important safety, performance and service information. Read it before you take the first ride on your bicycle with your Roval wheelset with tubeless plugs, and keep it for reference. This instruction guide should be used in conjunction with the [Specialized Bicycle Owner's Manual](#) ("Owner's Manual"). Please read the Owner's Manual in its entirety before you proceed. If you do not have a copy of the Owner's Manual, you can download it at no cost at www.specialized.com, or obtain it from your nearest Authorized Specialized Retailer or Specialized Rider Care.

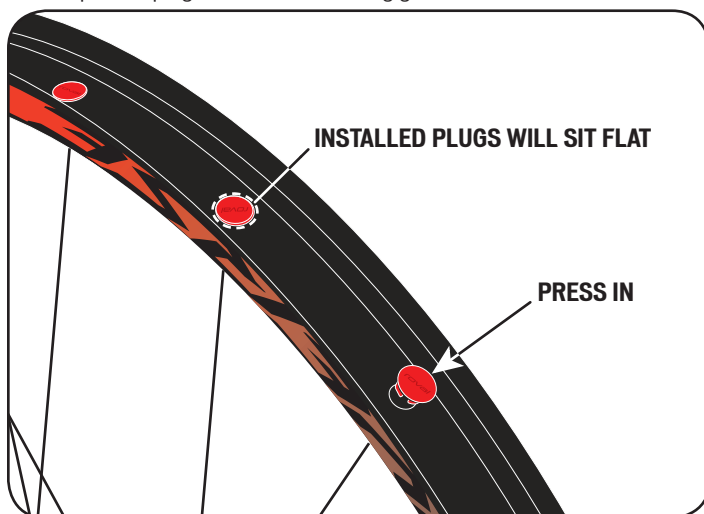
Additional safety, performance and service information for specific components such as suspension or pedals on your bicycle, or for accessories such as helmets or lights, may also be available. Make sure that your Authorized Specialized Retailer has given you all the manufacturers' literature that was included with your bicycle or accessories. In case of a conflict between the instructions in this instruction guide and information provided by a component manufacturer, please contact your nearest Authorized Specialized Retailer.

This guide is not intended as a comprehensive use, service, repair or maintenance guide. Please see your Authorized Specialized Retailer for all service, repairs or maintenance. Your Authorized Specialized Retailer may also be able to refer you to classes, clinics or books on bicycle use, service, repair, and maintenance.

INSTALLING THE TUBELESS PLUGS



1. Make sure you have the correct plugs for your wheel model (Road plugs are white, MTN plugs are grey). The plugs are of a slightly different diameter and depth. Using the incorrect plugs will prevent the system from sealing properly.
2. Inspect all plugs to ensure the o-ring goes around all four tabs.



3. Position the plugs over the plug holes, then press to snap them into place. Once installed, they should sit flat on the rim surface.
4. For proper tubeless tire installation and compatibility, please refer to the applicable Specialized road or mountain tubeless tire instruction guide available at www.specialized.com. If using non-Specialized branded tires and/or sealant, further refer to the tire and/or sealant manufacturer's instructions. To assure proper and safe installation, Specialized recommends visiting your nearest Authorized Specialized Retailer.