

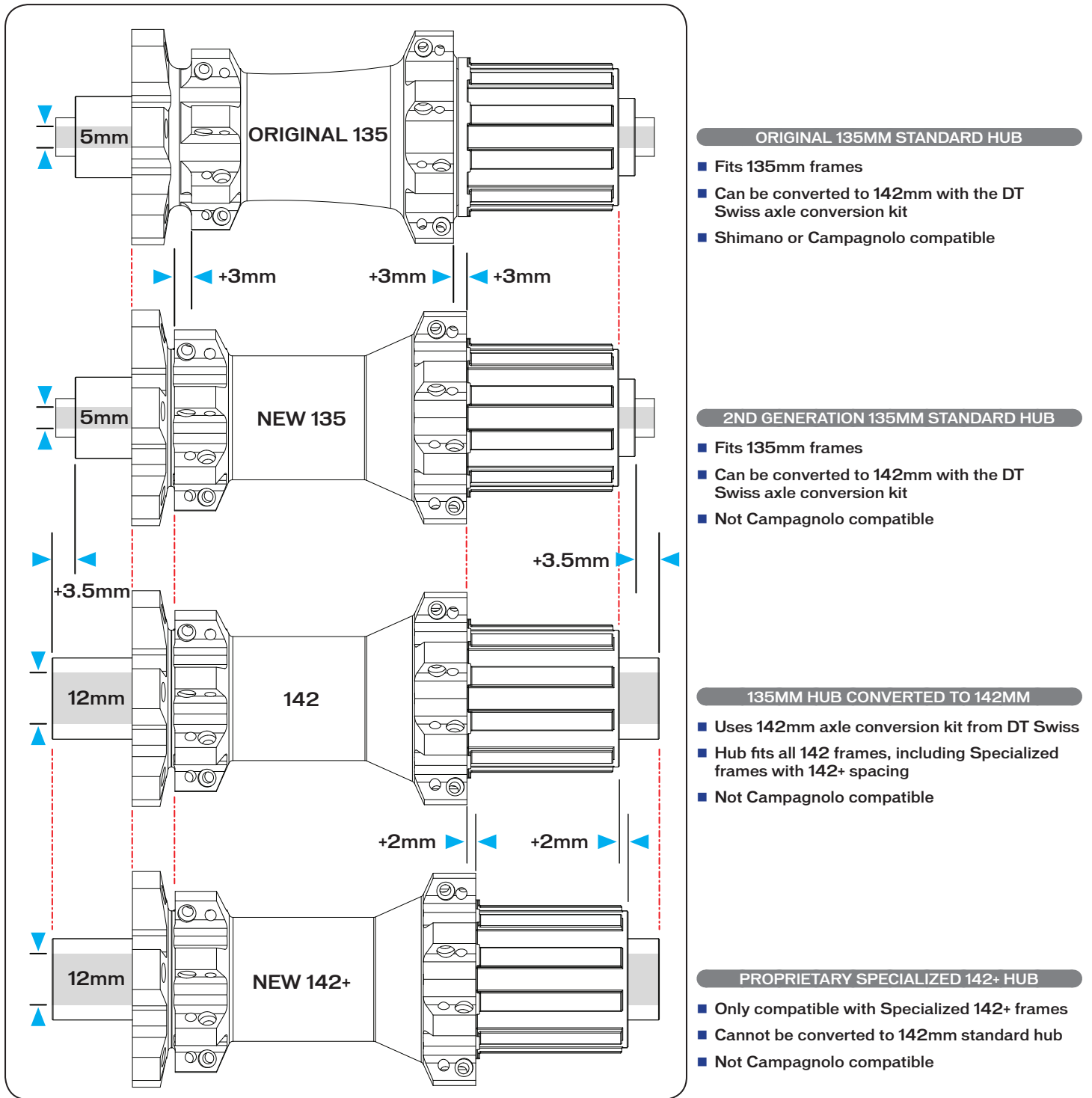
# COMPATIBILITY GUIDE

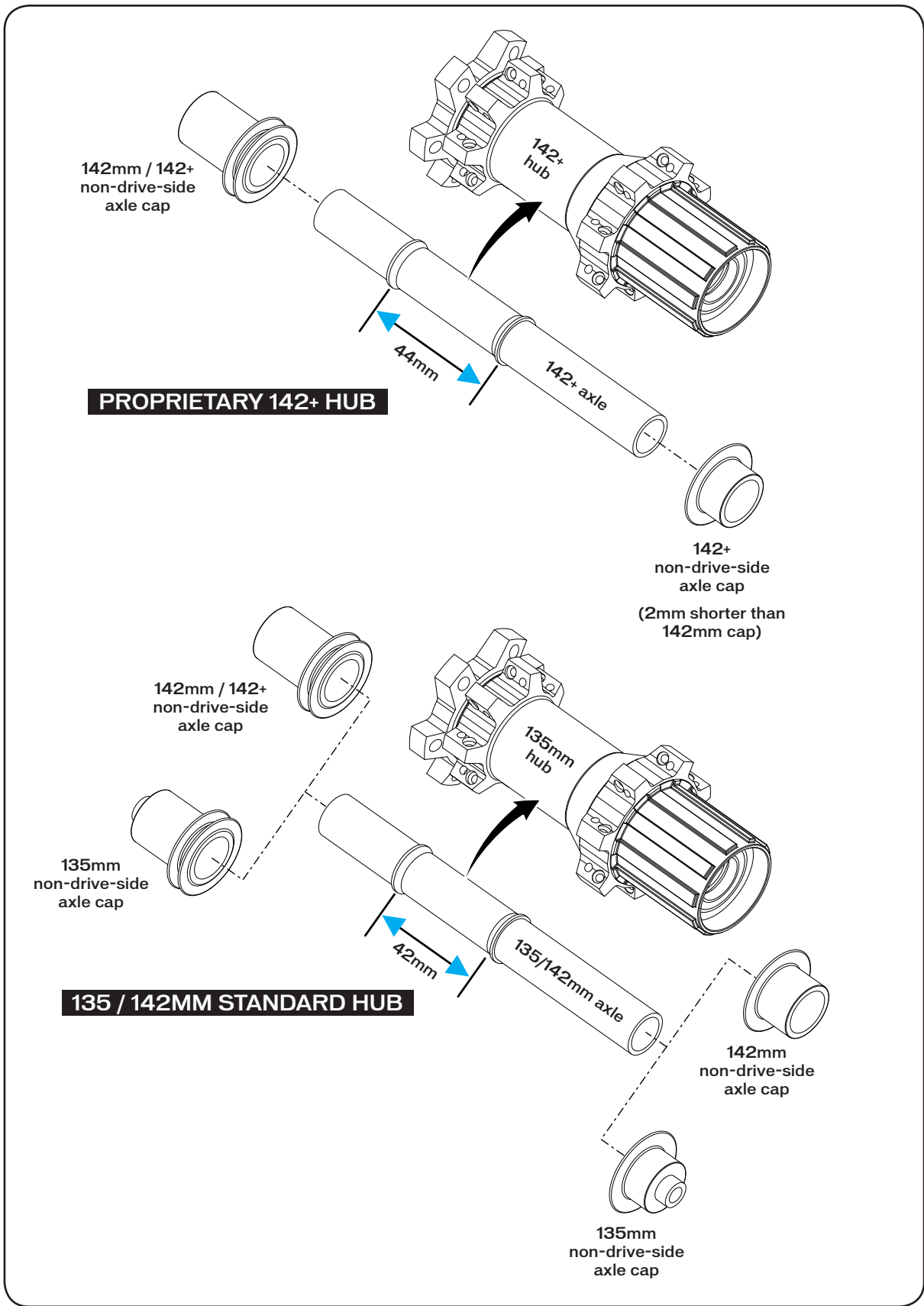
## 135MM / 142MM / 142+ ROVAL MOUNTAIN BIKE REAR WHEELS



The following illustrations outline the Roval MTN rear hubs in each configuration. Original 135mm, new 135mm, 142mm (converted 135mm) or 142+.

**NOTE:** The axle conversion kit applies only to SL and EL level Roval wheels. AL wheels are not compatible.





**CONVERTING 135MM HUBS TO STANDARD 142MM**

Up to and including model year 2010: DT Swiss 142mm axle and end cap conversion kit (HWYXXX0002877C).

After model year 2010: DT Swiss 142mm end cap conversion kit.

**SPECIALIZED BICYCLE COMPONENTS**

15130 Concord Circle, Morgan Hill, CA 95037 (408) 779-6229  
CG0327 Rev.A, October 2010

Please note all instructions are subject to change for improvement without notice.  
Please visit [www.specialized.com](http://www.specialized.com) for periodic tech updates.  
Feedback: [techdocs@specialized.com](mailto:techdocs@specialized.com)