

DEORE XT Front Disc Brake

BR-M785 Brake Caliper

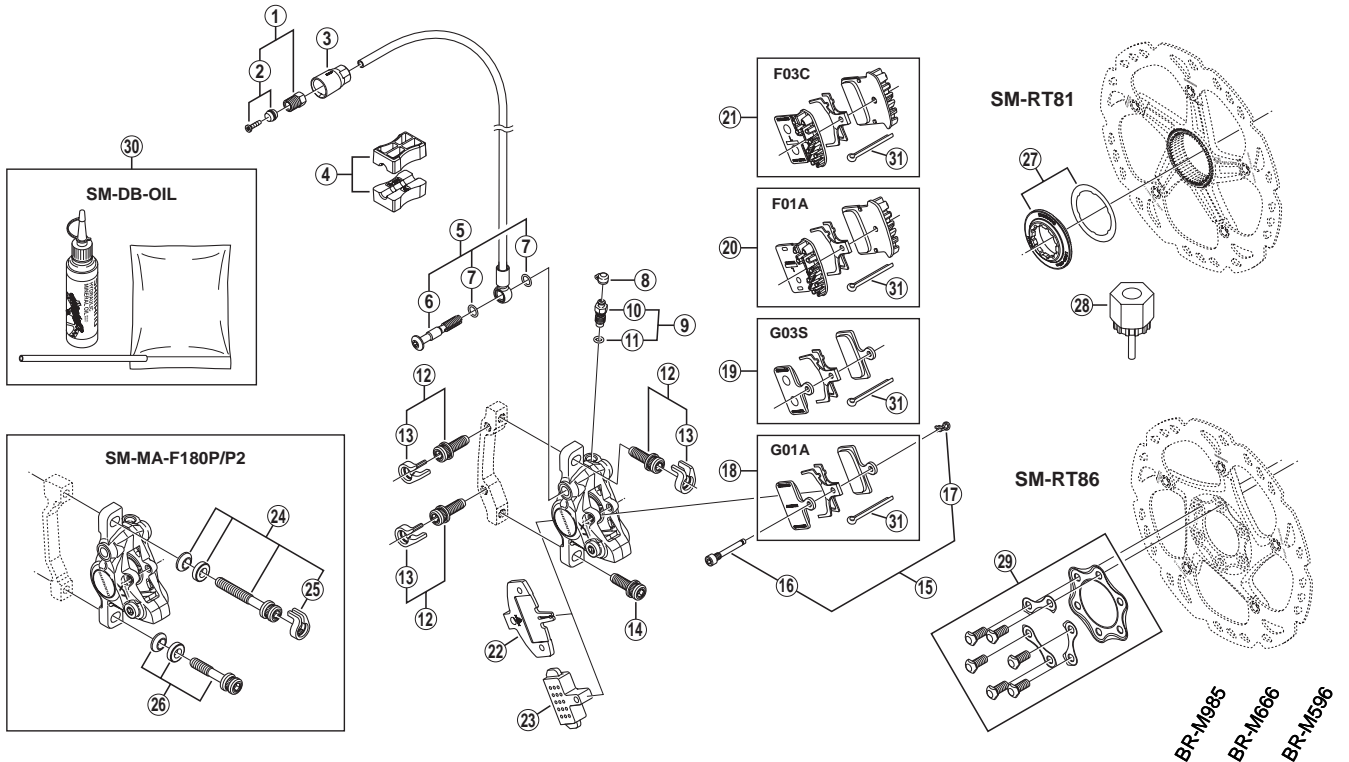
SM-BH90-SB Brake Hose

SM-RT81 Disc Rotor/Center Lock

SM-RT86 Disc Rotor/6-Bolt

Disc Rotor/Center Lock

Disc Rotor/6-Bolt



ITEM NO.	SHIMANO CODE NO.	DESCRIPTION	INTERCHANGEABILITY
1	Y8JA98010	Connecting Bolt Unit	A A A
2	Y8JA98020	Olive & Connector Insert	A A A
3	Y8JA07000	Cover	A A A
4	Y8H198030	TL-BH61 Special Tool (2 pcs.)	A A A
5	Y8JA98030	Banjo Bolt & O-Ring	A A
6	Y8JA04000	Banjo Bolt	A A
7	Y8SY28000	O-Ring	A A
8	Y8B214000	Bleed Nipple Cap	A A
9	Y8CL98050	Bleed Nipple & Seal Ring	A A A
10	Y8CL24000	Bleed Nipple	A A A
11	Y8B511001	O-Ring for Bleed Nipple	A A A
12	Y8DS98010	Adapter Fixing Bolt (M6 x 18.7) & Stop Ring	A A
13	Y8C511000	Stop Ring	A A
14	Y8C509020	Adapter Fixing Bolt (M6 x 18.7) for Stop Ring Type	A A
15	Y8JZ98010	Pad Axle & Snap Ring	
16	Y8JZ05000	Pad Axle	
17	Y8J716000	Snap Ring	A
* 18	Y8J79803A	Resin Pad (G01A) & Spring w/Split Pin	A B
* 19	Y8JZ98020	Metal Pad (G03S) & Spring w/Split Pin	B A
* 20	Y8J79801A	Resin Pad (F01A) w/Fin & Spring w/Split Pin	A A
* 21	Y8J79802A	Metal Pad (F03C) w/Fin & Spring w/Split Pin	A A
22	Y8J709000	Pad Spacer	A A
23	Y8J712000	Bleeding Spacer	A A
24	Y8G498020	Caliper Fixing Bolt Unit (M6 x 37.9)	A A
25	Y81703000	Snap Ring	A A
26	Y8G498030	Caliper Fixing Bolt Unit (M6 x 32.1)	A A
27	Y8K198010	Lock Ring & Washer	B B B
28	Y12009230	TL-LR15 Lock Ring Removal Tool	A A A
29	Y8J298010	Rotor Fixing Bolt Unit	A A A
30	Y83998010	Mineral Oil Bleed Kit (50 ml)	A A A
* 31	Y8DB06100	Split Pin	A A

A: Same parts.

B: Parts are usable, but differ in materials, appearance, finish, size, etc.

Absence of mark indicates non-interchangeability.

Aug.-2011-3161B

© Shimano Inc. I

Specifications are subject to change without notice.

SHIMANO