

MY16 BICYCLE SERVICE INFORMATION

This service manual has been drawn up by Giant Bicycle to be used by the workshops of Giant dealers. It is assumed that the user of this manual for maintaining and repairing Giant bicycles has a basic knowledge of mechanical principles and bicycle repair technique procedures. Any significant change to bicycle characteristics or to specific repair operations will be communicated by updates to this manual.

| | | |
|-----------|--|-----------|
| □ | CHARACTERISTICS..... | 4 |
| 1 | <i>New parts catalogue.....</i> | 5 |
| 1.1 | Frame protectors..... | 5 |
| 1.2 | Cable routing kits..... | 7 |
| 1.3 | Replaceable Dropout / Derailleur Hanger..... | 8 |
| 1.4 | Seatpost & seatpost kits..... | 9 |
| 1.5 | Di2 battery holder set..... | 12 |
| 1.6 | Brake parts..... | 16 |
| 1.7 | Others Accessories..... | 17 |
| 2 | <i>Cable routing path.....</i> | 19 |
| | Term of cable Routing Table..... | 19 |
| 2.1 | MY16 TCR Adv(Pro) & Adv SL-Mechanical..... | 20 |
| 2.2 | MY16 Anthem X 29 Cable Routing..... | 22 |
| 2.3 | MY16 Avow Advance Pro..... | 23 |
| 2.4 | MY16 Trinity Advanced Pro..... | 24 |
| 2.5 | MY15 Reign Advanced 27.5..... | 27 |
| 2.6 | MY15 Reign 27.5..... | 28 |
| 2.7 | MY15 Defy Advanced SL ISP / Defy Advanced..... | 29 |
| 2.8 | MY15 Avail Advanced SL ISP / Avail Advanced..... | 30 |
| 2.8 | MY15 Avail Aluxx (D-Fuse seat tube)..... | 32 |
| 2.9 | MY15 Thrive..... | 33 |
| 2.10 | MY15 Anyroad CoMax..... | 34 |
| 2.11 | MY15 Fastroad CoMax..... | 35 |
| 2.12 | MY15 Fastroad SLR..... | 36 |
| 2.13 | MY15 Escape..... | 37 |
| 3. | <i>Rear Frame Linkages Parts BOM.....</i> | 39 |
| 3.1 | MY16 Anthem 27.5 & Lust 27.5..... | 39 |
| 3.2 | MY16 Anthem ADV27.5 & Lust ADV 27.5..... | 40 |
| 3.3 | MY16 Anthem X 29er..... | 41 |

| | | |
|------|--|----|
| 3.4 | MY16 Anthem X ADV 29er..... | 42 |
| 3.5 | MY16 Glory 27.5..... | 43 |
| 3.6 | MY16 Glory ADV 27.5..... | 44 |
| 3.7 | MY16 Stance 27.5 | 45 |
| 3.8 | MY16 Trance 27.5 & Intrigue 27.5..... | 46 |
| 3.10 | MY16 Reign ADV 27.5 & Reign 27.5..... | 48 |
| 3.11 | MY15 Anthem 27.5 & Lust 27.5 | 49 |
| 3.12 | MY15 Anthem ADV 27.5 & Lust ADV 27.5 | 50 |
| 3.13 | MY15 Anthem X 29 er..... | 51 |
| 3.14 | MY15 Anthem X ADV 29er..... | 52 |
| 3.15 | MY15 Glory 27.5..... | 53 |
| 3.16 | MY15 Glory ADV 27.5..... | 54 |
| 3.17 | MY15 Reign 27.5 | 55 |
| 3.18 | MY15 Stance..... | 56 |
| 3.19 | MY15 Trance & Intrigue | 57 |
| 3.20 | MY15 Trance ADV 27.5..... | 58 |

● CHARACTERISTICS

Rules

This section Describes the general specifications of MY16 New developed bicycles.

Safety rules

- Always wear appropriate safety equipments, such as glasses, gloves and dust mask.
- Carry out the carbon fiber parts cutting, such as cutting carbon steering tube and carbon ISP, in a well-ventilated area; wear a dust mask so that you do not breathe in the dust produced by the friction material.

Maintenance rules

- Use original Giant spare parts and lubricants recommended by the Manufacturer. Non-original or non-conforming spares may damage the bike.
- Use only the appropriate tools designed for the bike.
- Always use new gaskets, sealing rings and split pins upon refitting.
- After removal, clean the components using non-flammable or neutral solvents. Lubricate all the work surfaces, except tapered couplings, before refitting these parts.
- After refitting, make sure that all the components have been installed correctly and work properly.
- For removal, overhaul and refit operations use only tools with metric measures. Metric bolts, nuts and screws are not interchangeable with coupling members with English sizes. Using unsuitable coupling members and tools may damage the bike.
- When carrying out maintenance operations on the bike that involve the electrical system, make sure the electric connections have been made properly, particularly the ground and battery connections.

Frame number identification

Bicycle frame number is marked on downward side of bottom bracket.



Fig1. Carbon Frame number decal



Fig2. Aluminum frame number mark

1 New parts catalogue

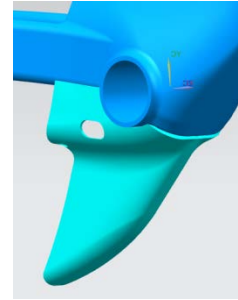
1.1 Frame protectors

BB CS cover:

Prevent paint damaged from chain hitting chain stay under severe all terrain riding.

| |
|-----------------|
| Part# |
| 1471-TRINTY-601 |

| | |
|------------------|--------------------------------|
| Compatible with: | |
| MY16 | Trinity Adv Pro / Avow Adv Pro |



Chain stay protector:

Prevent paint damaged from chain hitting chain stay under severe all terrain riding.

| |
|-----------------|
| Part# |
| 1661-YFFH71-501 |

| | |
|------------------|--------------------------------------|
| Compatible with: | |
| MY16 | Tough Road /AnyRoad CoMax/ Brava SLR |



Chain stay protector:

Prevent paint damaged from chain hitting chain stay under multi-terrain riding.

| |
|----------------|
| Part# |
| 166-CPFH6701-2 |

| | |
|------------------|--|
| Compatible with: | |
| MY16 | AnyRoad / Fast Road / Invite CoMax / Rapid / Revolt / Stance27.5 / Talon / Tempt / |

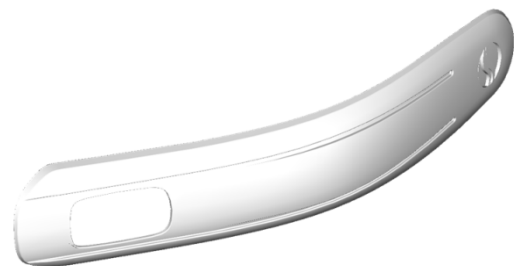


Down tube protector:

To provide excellent protection of frame finish t during all mountain riding.

| |
|------------|
| Part# |
| 3G9-4003-1 |

| | |
|------------------|---------------------------|
| Compatible with: | |
| MY16/MY15 | Reign ADV 27.5/Reign 27.5 |

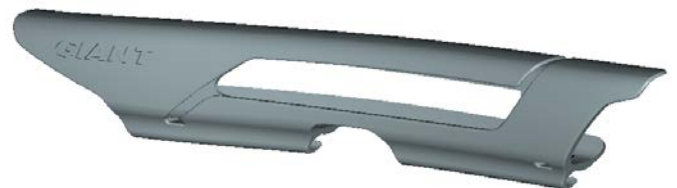


Chain stay protector:

Prevent paint damaged from chain hitting chain stay under severe all mountain riding.

| |
|------------|
| Part# |
| 3G9-6005-1 |

| | |
|------------------|---------------------------|
| Compatible with: | |
| MY16/MY15 | Reign ADV 27.5/Reign 27.5 |

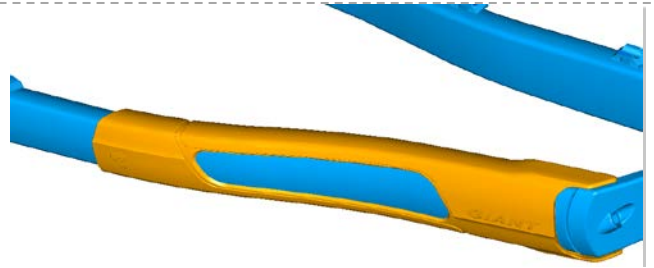


Chain stay protector:

Prevent paint damaged from chain hitting chain stay under severe downhill riding.

| |
|------------|
| Part# |
| 3G9-6006-1 |

| |
|--|
| Compatible with: |
| MY15/MY16 Glory ADV 27.5/ Glory 27.5 |

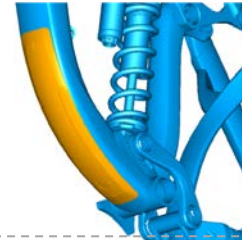


Down tube protector:

Provide additional protection to the down tube for preventing paint crack from severe downhill riding.

| |
|------------|
| Part# |
| 3G9-5001-1 |

| |
|--|
| Compatible with: |
| MY15/MY16 Glory ADV 27.5/ Glory 27.5 |



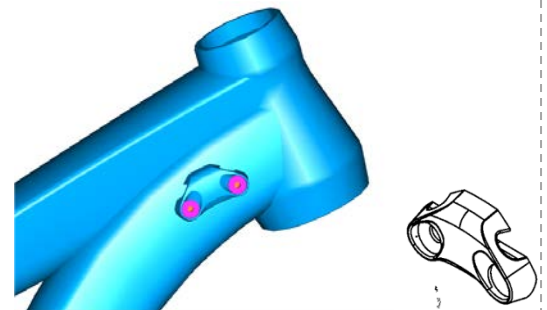
Fork bumper:

The fork bumper can provide addition protection to the frame to prevent frame damaged by front fork hitting the frame during downhill riding.

| |
|-----------------|
| Part# |
| 1275-BUMPER-503 |

| |
|--|
| Compatible with: |
| MY15/MY16 Glory ADV 27.5/ Glory 27.5 |

(2 pieces bumper units and 4 fixing bolt are included in a set for mounting at left and right side of frame.)



Chain stay protector:

Prevent paint damaged from chain hitting chain stay under severe downhill riding.

| |
|------------|
| Part# |
| 3G9-6001-1 |

| |
|--|
| Compatible with: |
| MY14/MY15/MY16 Anthem ADV 27.5/ Anthem 27.5 / Lust ADV27.5/Lust 27.5 |



Down tube protector:

| |
|------------|
| Part# |
| 3G9-4001-1 |

| |
|--|
| Compatible with: |
| My14/MY15/MY16 Anthem ADV 27.5/ Lust ADV 27.5/ |



Chain stay protector:

| |
|------------|
| Part# |
| 3G9-6002-1 |

| |
|--|
| Compatible with: |
| MY14/MY15/MY16 Trance ADV 27.5/ Trance 27.5 / Intrigue 27.5 / Intrigue ADV27.5/ Anthem ADSX 27.5 |



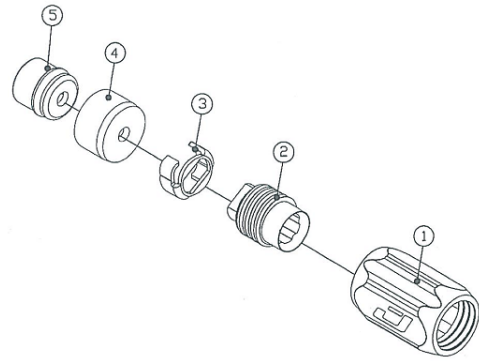
1.2 Cable routing kits

Jagwire undersized shifting cable adjuster:

Compare to Jagwire CM233 version, this undersized shifting cable adjuster (type: CM309) is designed for used on full series of Giant road bikes to provide sufficient adjustment arrange within smaller volume and lighter weight.

| |
|-----------------|
| Part# |
| 1639-CM309B-501 |

| | |
|------------------|----------------------------|
| Compatible with: | |
| MY15/MY16 | Glory ADV 27.5/ Glory 27.5 |

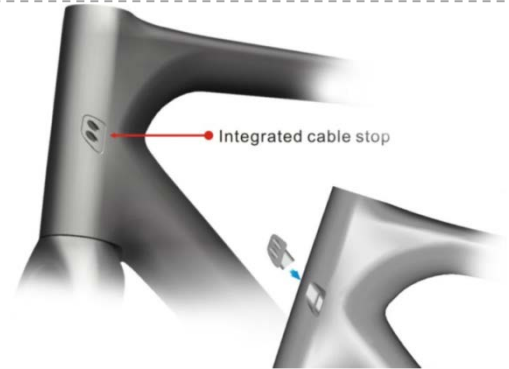


Integrated mechanical cable stop:

The integrated cable stop is an alloy stopper which allows mechanical shifting cable to pass through head tube for internal cable routing, which provides smooth and clean frame shape.

| |
|-----------------|
| Part# |
| 1472-CM311A-501 |

| | |
|------------------|----------------------|
| Compatible with: | |
| MY15/MY16 | Defy ADSL/ Defy ADV |
| MY15/MY16 | Avail ADSL/Avail ADV |

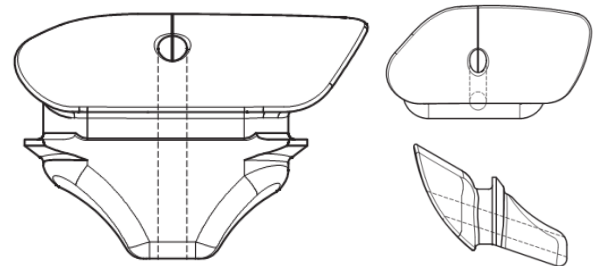


Electronic shifting wire grommet:

This rubber grommet can fix electronic shifting wire when wire passing through frame to avoid the wire moved too freely.

| |
|-----------------|
| Part# |
| 1472-HTPLUG-501 |

| | |
|------------------|----------------------|
| Compatible with: | |
| MY15/MY16 | Defy ADSL/ Defy ADV |
| MY15/MY16 | Avail ADSL/Avail ADV |



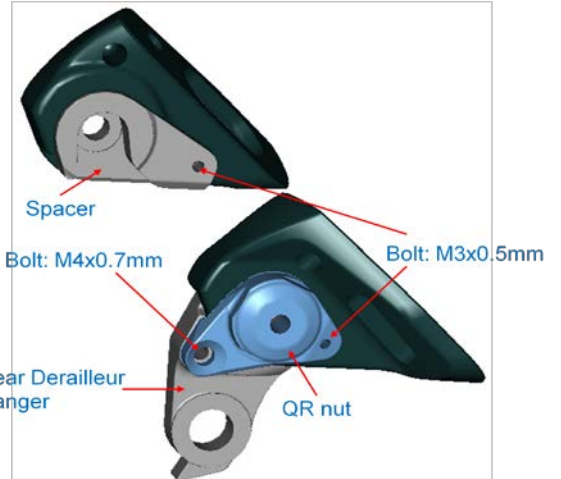
1.3 Replaceable Dropout / Derailleur Hanger

5/135mm OLD replaceable Dropout / Derailleur Hanger kit:

This kit is designed to easily convert your frame to be compatible with 5mm/135mm OLD close-type dropout system.

| |
|----------------|
| Part number |
| 1280GS834609A1 |

| | |
|------------------|-------------------------------|
| Compatible with: | |
| MY14/MY15/MY16 | XtC ADV 27.5"/XtC 27.5" |
| MY14/MY15/MY16 | Anthem ADV 27.5"/Anthem 27.5" |
| MY14/MY15/MY16 | Trance ADV 27.5"/Trance 27.5" |
| MY14/MY15/MY16 | Obsess ADV 27.5" |
| MY14/MY15/MY16 | Lust 27.5" |
| MY14/MY15/MY16 | Intrigue 27.5" |

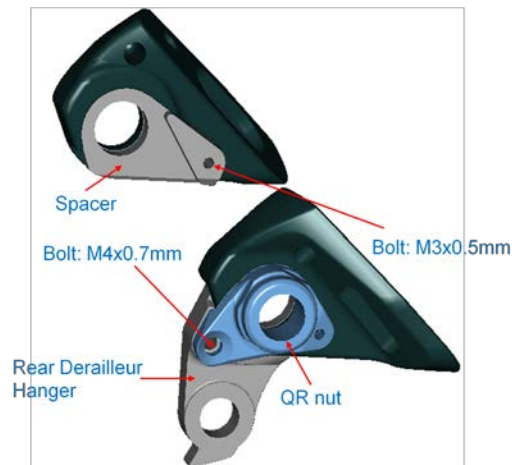


12/142mm OLD replaceable Dropout / Derailleur Hanger kit:

This kit is designed to easily convert your frame to be compatible with 12mm/142mm OLD close-type dropout system.

| |
|----------------|
| Part number |
| 1280GS834609B1 |

| | |
|------------------|-------------------------------|
| Compatible with: | |
| MY14/MY15/MY16 | XtC ADV 27.5"/XtC 27.5" |
| MY14/MY15/MY16 | Anthem ADV 27.5"/Anthem 27.5" |
| MY14/MY15/MY16 | Trance ADV 27.5"/Trance 27.5" |
| MY14/MY15/MY16 | Obsess ADV 27.5" |
| MY14/MY15/MY16 | Lust ADV 27.5"/Lust 27.5" |
| MY14/MY15/MY16 | Intrigue 27.5" |
| MY16 | Anthem X Adv/29 Anthem X29 |

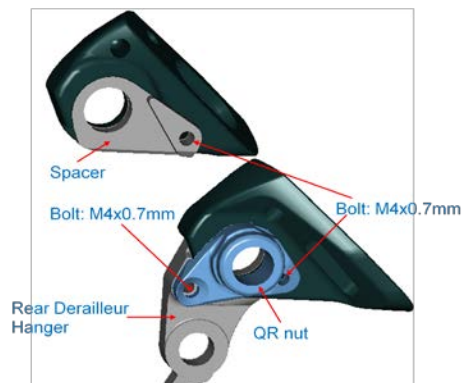


Reign series 12/142mm OLD replaceable Dropout / Derailleur Hanger kit:

This kit is designed to easily convert your frame to be compatible with 12mm/142mm OLD close-type dropout system on Reign ADV 27.5"/ Reign 27.5".

| |
|----------------|
| Part number |
| 1280GS034F09A7 |

| | |
|------------------|------------------------------|
| Compatible with: | |
| MY15/MY16 | Reign ADV 27.5"/ Reign 27.5" |



Glory series 12/150mm OLD replaceable Dropout / Derailleur Hanger kit:

This kit is designed to easily convert your frame to be compatible with 12mm/150mm OLD close-type dropout system on Glory ADV 27.5"/ Glory 27.5".

| |
|----------------|
| Part number |
| 1280GS024512D8 |

| | |
|------------------|------------------------------|
| Compatible with: | |
| MY15/MY16 | Glory ADV 27.5"/ Glory 27.5" |



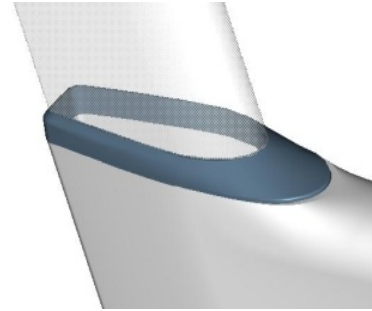
1.4 Seatpost & seatpost kits

ISC Plug:

VLD-208 MY16 TRI/AVOW ADV SEATPOST WATERPROOF RUBBER SEAL NBR BLK

| |
|-----------------|
| Part# |
| 1724-SPSHIM-603 |

| | |
|------------------|--------------------------------|
| Compatible with: | |
| MY16 | Trinity Adv Pro / Avow Adv Pro |

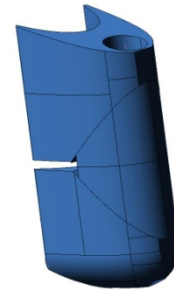


Avow Seat clamp:

Invisible seat clamp make the frame design much clean.

| |
|-----------------|
| Part# |
| 1722-G16SC3-601 |

| | |
|------------------|--------------|
| Compatible with: | |
| MY16 | Avow Adv Pro |

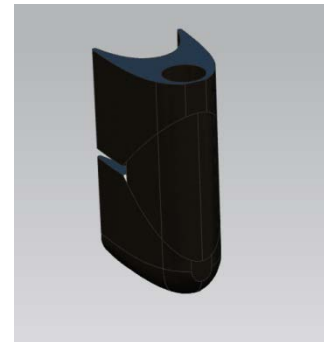


Trinity Seat clamp:

Invisible seat clamp make the frame design much clean.

| |
|-----------------|
| Part# |
| 1722-G16SC2-601 |

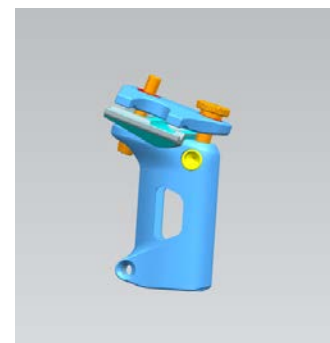
| | |
|------------------|-------------------|
| Compatible with: | |
| MY16 | Trinity Adv (PRO) |



New TCR ADV ISP Seat Post Head :

| |
|-----------------|
| Part# |
| 1725-G6SD01-601 |

| | |
|------------------|----------------|
| Compatible with: | |
| MY16 | TCR Adv SL ISP |

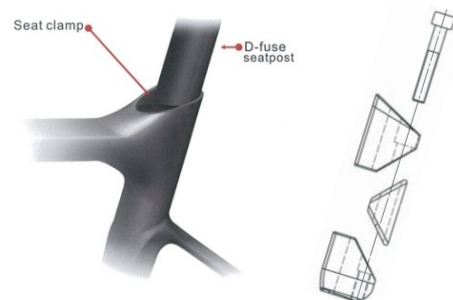


Invisible seat clamp for D-Fuse:

Invisible seat clamp units with M5X30L bolt.

| |
|-----------------|
| Part# |
| 1722-GISC01-501 |

| | |
|------------------|-----------------------|
| Compatible with: | |
| MY15/MY16 | Defy ADSL/Defy ADV |
| MY15/MY16 | Avail ADSL/ Avail ADV |

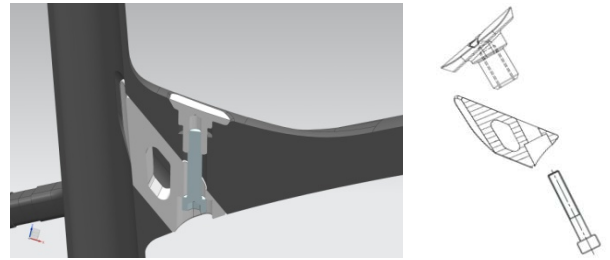


Invisible seat clamp kit:

Invisible seat clamp units with M6X25L bolt.

| |
|-----------------|
| Part# |
| 1729-SPLOCK-A01 |

| | |
|------------------|-------------------------|
| Compatible with: | |
| MY14/MY15/MY16 | AnyRoad / AnyRoad CoMax |

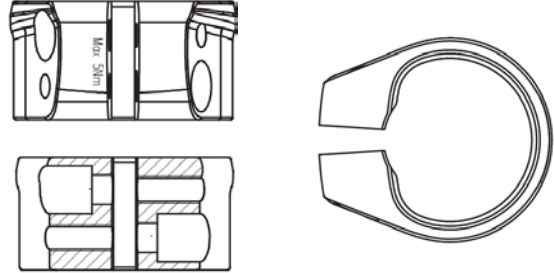


Seat clamp for D-Fuse:

D-Fuse seat clamp with 2 pcs M5 M5X0.8X15L bolts.

| |
|-----------------|
| Part# |
| 1722-DFSC01-501 |

| | |
|------------------|-----------|
| Compatible with: | |
| MY15/MY16 | Defy ADV |
| MY15/MY16 | Avail ADV |



D-Fuse composite seatpost:

This D-Fuse seatpost provide more comfort for endurance ride.

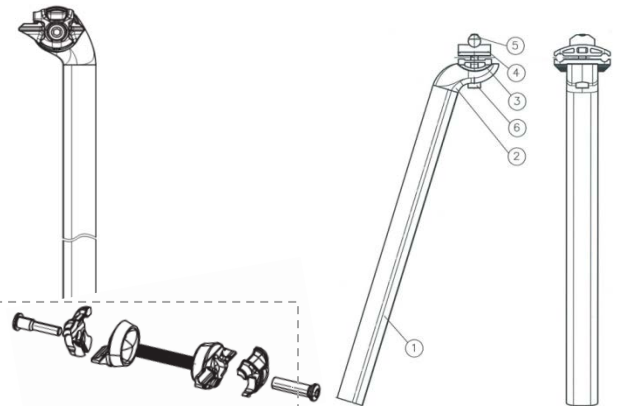
| Part# | Part Description |
|-----------------|---------------------|
| 17215OB0008A1 | D-Fuse SL Composite |
| 1729-G14SP1-002 | Clamp&Bolt kit |

| Part# | Part Description |
|-----------------|------------------|
| 1721-G15SP1-501 | D-Fuse Composite |

| | |
|------------------|---------------------------------|
| Compatible with: | |
| MY14/MY15 | TCX ADV/TCX SLR |
| MY14/MY15 | Brava SLR |
| MY15/MY16 | Defy ADSL/Defy ADV |
| MY15/MY16 | Avail ADSL/ Avail ADV |
| MY15 | Fast Road Co Max/ Fast Road SLR |

G14SP1

G15SP1



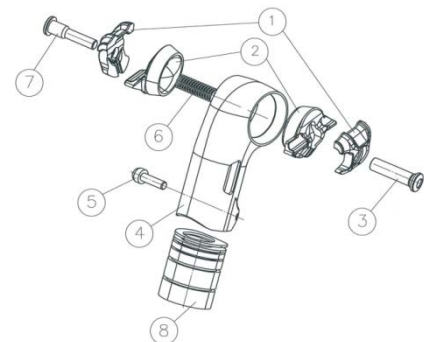
Clamp&Bolt kit

D-Fuse ISP saddle clamp kit:

This D-Fuse saddle clamp kit is designed to use on Giant D-Fuse ISP frame to provide basic saddle clamping function and additional saddle height adjustment.

| Part# | Part Description | Part Item |
|-----------------|----------------------|-----------|
| 1725-G5SD01-501 | D-Fuse ISP clamp set | ①②③④⑤⑥⑦⑧ |
| 1729-G14SP1-002 | Clamp& Bolt kit | ①②③⑥⑦ |

| | |
|------------------|-------------------------------|
| Compatible with: | |
| MY15 | Defy ADSL ISP/ Avail ADSL ISP |
| MY16 | Defy ADSL/ Avail ADSL |

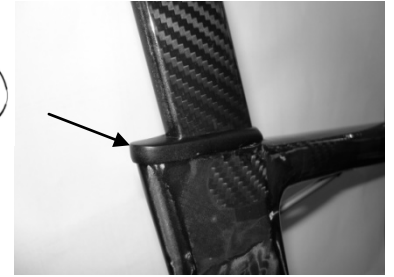


Seat tube rubber seal for Propel & Envie:

The rubber seal provide waterproof to prevent water entering into seat tube.

| |
|-----------------|
| Part# |
| 1724-SPSHIM-501 |

| | |
|------------------|------------------------|
| Compatible with: | |
| MY14/MY15/MY16 | Propel ADV/ Propel SLR |
| MY14/MY15/MY16 | Envie ADV |

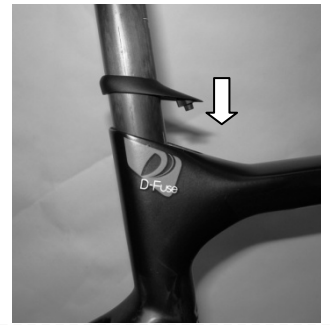
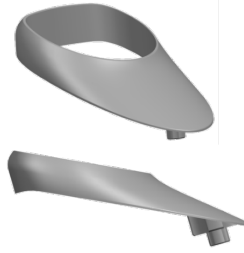


Seat tube rubber seal for Defy Advanced / Avail Advanced:

The rubber seal provide better sealing to prevent water entering into frame through seat tube.

| |
|-----------------|
| Part# |
| 1724-SPSHIM-502 |

| | |
|------------------|---------------------|
| Compatible with: | |
| MY15/MY16 | Defy ADV/ Avail ADV |
| MY16 | Tough Road SLR |

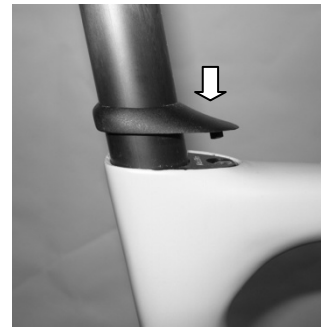
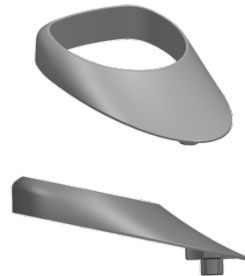


Seat tube rubber seal for TCX Advanced:

The rubber seal provide better sealing to prevent water entering into frame through seat tube.

| |
|-----------------|
| Part# |
| 1724-SPSHIM-503 |

| | |
|------------------|---------|
| Compatible with: | |
| MY14/MY15/MY16 | TCX ADV |



1.5 Di2 battery holder set

MY16 TCR Variant Seat Post

Battery Holder with 2 Slim rubbers Assembly method

| |
|-----------------|
| Part# |
| 2450-G16BTA-601 |

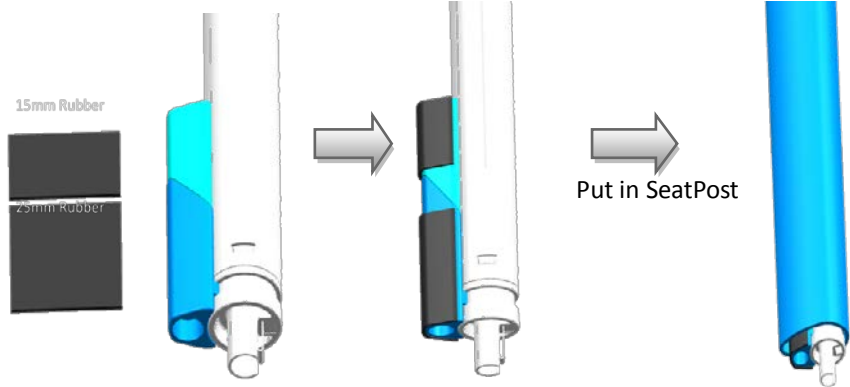
| Statement | Torque |
|--|---------|
| NEW VECTOR AERO SP/ISP DI2 BATTERY HOLDER W/MANUAL(MY16 TCR ADV) | 1.5 N-m |



Bottom View

25mm Rubber and blue expander stick together.

15mm Rubber and light blue expander stick together

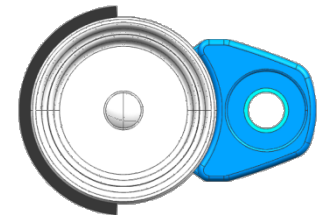


MY16 TCR Adv SL ISP –Battery Holder

with 2 slim rubbers -Assembly method

| |
|-----------------|
| Part# |
| 2450-G16BTA-601 |

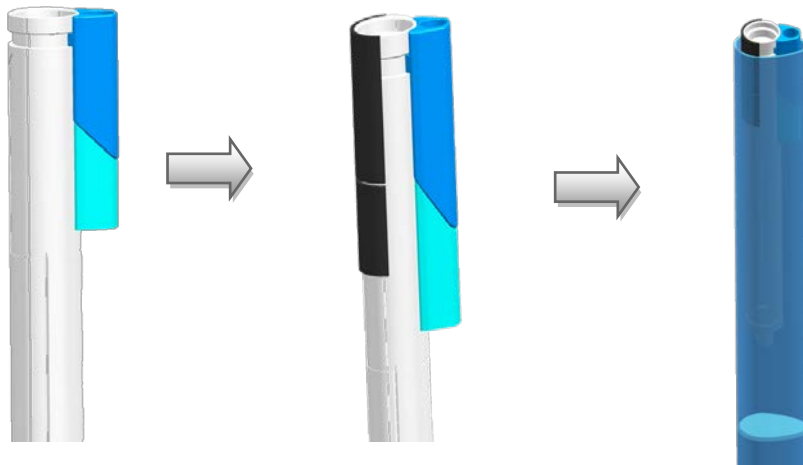
| Statement | Torque |
|--|---------|
| NEW VECTOR AERO SP/ISP DI2 BATTERY HOLDER W/MANUAL(MY16 TCR ADV) | 1.5 N-m |



Top view

25mm Rubber

15mm Rubber



Put the battery holder ,
Battery and 2 slim rubber
in ISP .

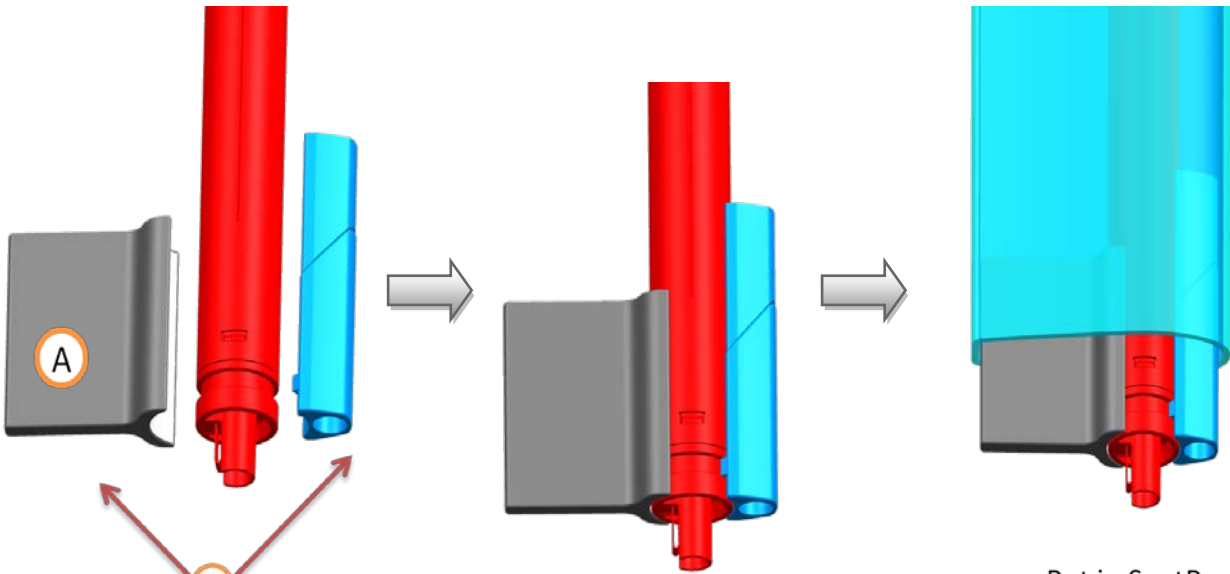
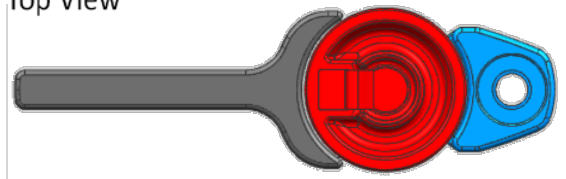
MY16 Trinity & Avow Adv Seat Post

Battery Holder Assembly method

| Part# |
|-----------------|
| 2450-G16BTA-602 |

| Statement | Torque |
|---|---------|
| MY16 TRI/AVOW AERO SP DI2 BATTERY HOLDER W/MANUAL | 1.5 N-m |

Top View



Use double sided tape to stick A part on

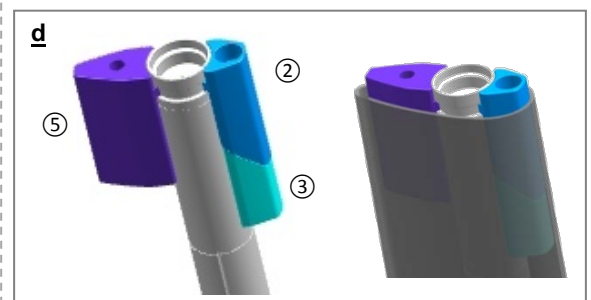
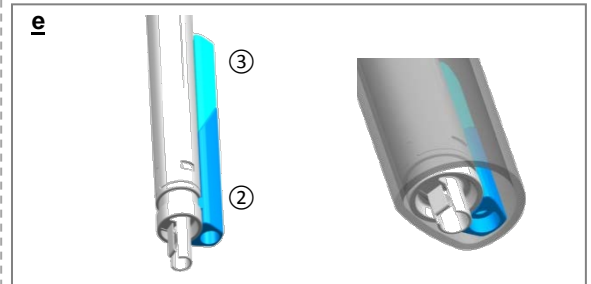
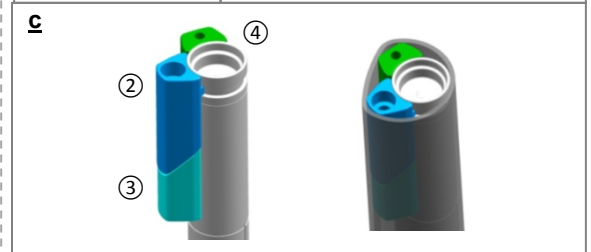
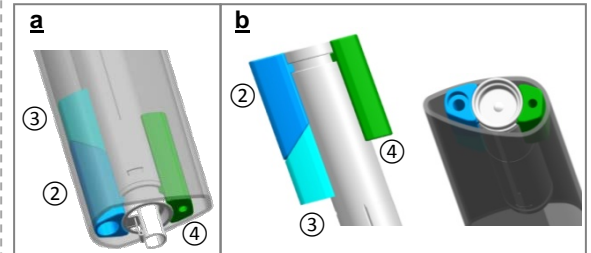
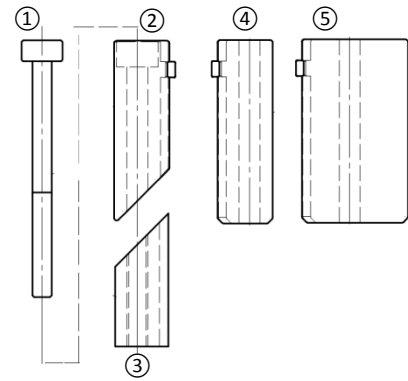
Put in SeatPost.

Di2 battery holder set for Giant specified seat post:

Design to mount Shimano SM-BTR2 built-in battery to Giant specified seat post.

| Part# |
|-----------------|
| 2450-G15BTS-504 |

- Use of parts
 - ①+②+③+④
 - a. Vector seat post
 - b. ~ MY15 TCR Advanced SL ISP (Vector shape)
 - ~ MY14 Defy Advanced SL ISP (Vector shape)
 - c. MY15 Defy Advanced SL ISP (D shape)
 - ①+②+③+⑤
 - d. Propel Advanced SL ISP
 - ①+②+③
 - e. D-Fuse seat post
- **Installation note:**
 - Recommended tightening torque: 1.5Nm
 - Always pre-assemble ①+②+③ before insert the holder kit into seat post. Don't fasten the bolt ① too tight before installation.
 - When installing the holder, laying ISP frame or seat post helps installation process easier, and avoid battery fall into ISP frame or fall onto the ground. Use soft materials to protect frame or seat post when laying frame or the seat post from possible paint chipped or damaged.



Di2 Battery parts for changing from external battery type to internal battery type:

Below parts are for changing battery type from external to internal.

*The Di2 software needs to be updated when done the battery change. Or the shifting will not function, indicator will show low battery.

Please find SHIMANO E-tube Project website for downloading the updated software. <http://e-tubeproject.shimano.com/>

| Part# | Part Description |
|---------------|--|
| 24515G90001A1 | Di2 Internal battery set for changing from External to Internal type w/Sea tpost internal Di2 battery holder set |

*This part#(24515G90001A1) include with below items.

| Item | Part Description | Qty |
|---|---|-----|
| Seat post internal Di2 battery holder set | SEATPOST INTERNAL DI2 BATTERY HOLDER SERVICE PARTS SET W/MANU | 1 |
| Battery | SM-BTR2 BUILT-IN TYPE BATTERY DI2 W/RECYCLE STICKERS,ADAPTER,SNAP RING AND WASHER | 1 |
| Wire Junction | SM-JC41 ELECTRIC WIRE JUNCTION, INTERNAL WIRE ROUTING(ULTEGRA DI2) | 1 |
| Controller | SM-EW90 DURA ACE DI2 FOR STANDARD HANDLE SPEC, NOT FOR FLIGHT DECK | 1 |
| Battery Charger | SM-BCR2 DI2 CHARGER FOR SM-BTR2 W/CHARGING CORD FOR USB | 1 |
| Electric Wire | EW-SD50 250MM BLK WO/ZIP TIE ULTEGRA DI2 ELECTRIC WIRE | 1 |
| Electric Wire | EW-SD50 300MM BLK WO/ZIP TIE ULTEGRA DI2 ELECTRIC WIRE | 2 |
| Electric Wire | EW-SD50 350MM BLK WO/ZIP TIE ULTEGRA DI2 ELECTRIC WIRE | 2 |
| Electric Wire | EW-SD50 750MM BLK WO/ZIP TIE ULTEGRA DI2 ELECTRIC WIRE | 1 |
| Electric Wire | EW-SD50 950MM BLK WO/ZIP TIE ULTEGRA DI2 ELECTRIC WIRE | 1 |
| Electric Wire | EW-SD50 1000MM BLK W/ZIP TIE ULTEGRA DI2 ELECTRIC WIRE | 1 |

1.6 Brake parts

Speed Control brake :

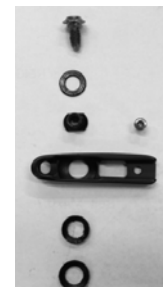
Speed Control series brake is designed for Propel/ Envie model to provide the aerodynamic and optimum performance.

| Model | Front/Rear | Part# | Pivot Bolts | Note |
|---------------------|------------|-----------------|-------------|----------------------|
| | Brake | | | |
| Speed Control SL Ti | Front | 1411-TKB167-603 | Titanium | Cable guide included |
| | Rear | 1421-TKB168-603 | | |
| Speed Control SL | Front | 1411-TKB165-603 | Stainless | |
| | Rear | 1421-TKB166-603 | | |

***Note: Above service Part# are WITHOUT brake pad.**

Speed Control brake pad shoes set:

| Part# | Brake Pad shoes set |
|-----------------|--|
| 1471-TKBBRA-501 | Cartridge set (TKB142/143/165/166) For Alu rim |
| 1471-TKBBRA-502 | Cartridge set (TKB148/149/167/168) For Alu rim |



Brake Pad for full carbon rim:

| Part# | Brake Pad set |
|-----------------|-------------------------------|
| 29000000 | Brake Pad for full carbon rim |

***Note: Above Brake Pad Part# is GBD part number.**

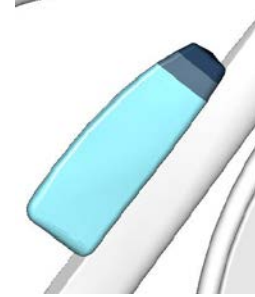
1.7 Others Accessories

DT Bottle: DOWNTUBE WATER BOTTLE W/CAGE FOR MY16

AVOW ADV PRO , same as Trinity;

| |
|-----------------|
| Part# |
| 1822-TRINTY-606 |

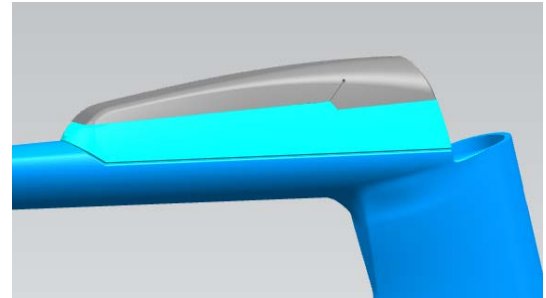
| | |
|------------------|--------------------------------|
| Compatible with: | |
| MY16 | Trinity Adv Pro / Avow Adv Pro |



Bento Box: TOP TUBE BENTO BOX FOR MY16 TRINITY ADV PRO/AVOW ADV PRO

| |
|-----------------|
| Part# |
| 1824-TRINTY-601 |

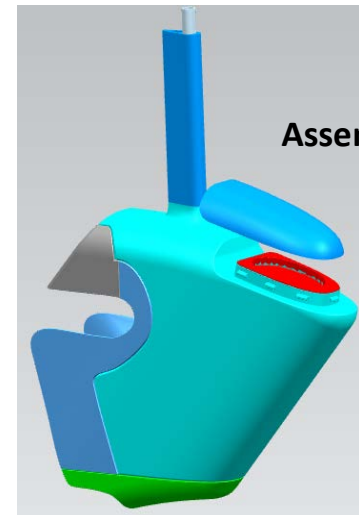
| | |
|------------------|--------------------------------|
| Compatible with: | |
| MY16 | Trinity Adv Pro / Avow Adv Pro |



Water Bottle set: STEM WATER BOTTLE W/SMALL BOTTLE, SMALL DECORATE, SMALL(H1-607) or LARGE(H2-608) SPACER, OUTER AND INNER CAP, STRAW HOLDER, STRAW, FIX AND CAGE

| | |
|-----------------|-------------------|
| Part# | |
| 1822-TRINTY-607 | for 45(XXS)-51(S) |
| 1822-TRINTY-608 | for 53(M) |

| | |
|------------------|--------------------------------|
| Compatible with: | |
| MY16 | Trinity Adv Pro / Avow Adv Pro |



Assemble

TCR ADV SL carbon headset cone spacer:

New cone spacer is made by carbon material , whole headsets are more lighter.

| |
|-----------------|
| Part# |
| 1310-NO54AA-601 |

| | |
|------------------|--------------------------|
| Compatible with: | |
| MY16 | TCR adv SL, TCR adv(Pro) |

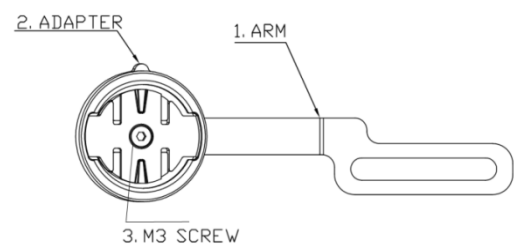


Garmin mount:

Garmin computer mount for secure and protected placement to the Giant integrated dropbar.

| |
|----------------|
| Part# |
| 1679-GM1GA1-01 |

(Include mount unit x 1, handlebar screw nut x 2, M3 screw x1)

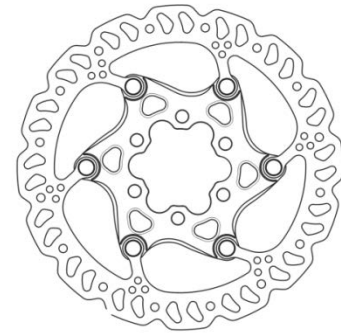


TEKTRO TR140-20 rotor:

TEKTRO TR140-20 140mm rotor is a standard 6-bolt rotor designed for use of road disc brake.

| |
|-----------------|
| Part# |
| 147D-TR1402-501 |

| | |
|------------------|-----------------------|
| Compatible with: | |
| MY15/MY16 | Defy ADSL/Defy ADV |
| MY15/MY16 | Avail ADSL/ Avail ADV |
| MY15/MY16 | TCX ADV/TCX SLR |
| MY15 | Brava SLR |
| MY15/MY16 | Thrive CoMax |

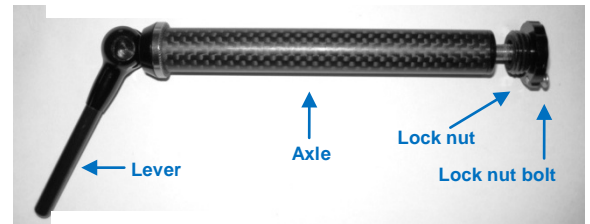


Giant Thru-axle SL:

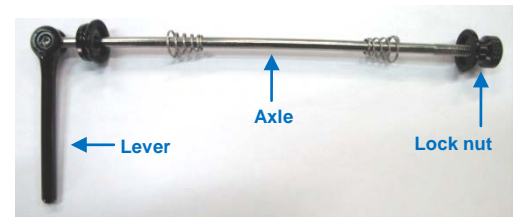
These light weight Thru-axle is specially design for Giant TCX/Brava series model.

| QR | Part# | Axle Ø | O.L.D. Length | Material | |
|-------|-----------------|--------|------------------|----------|----------|
| | | | | Lever | Axle |
| Front | 1519-SPOCGI-501 | 15mm | 100mm | Carbon | Titanium |
| Front | 1519-SPOCGI-502 | 15mm | 100mm | Aluminum | Steel |
| Rear | 1529-SPOCGI-501 | 5mm | 135mm | Carbon | Titanium |
| Rear | 1529-SPOCGI-502 | 5mm | 135mm | Aluminum | Steel |

Front QR :



Rear QR :

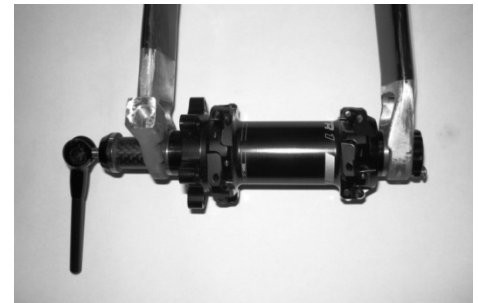


Step 1: Fasten lock nut onto dropout at right fork leg to hand tight.



Step 2: Fit lock nut bolt and fasten to the lock nut.

Tool: M2 Allen key
NOTE: Do not exceed the maximum torque: 1.5 Nm



Step 3: Install and fix the wheel.

- 1 Thread skewer through left dropout till touching right dropout.
- 2 Turn the Thru-axle lever clockwise to fasten the wheel. Refer Wheel section in the bicycle owner's manual.

2 Cable routing path

Term of cable Routing Table

- **Cable:**

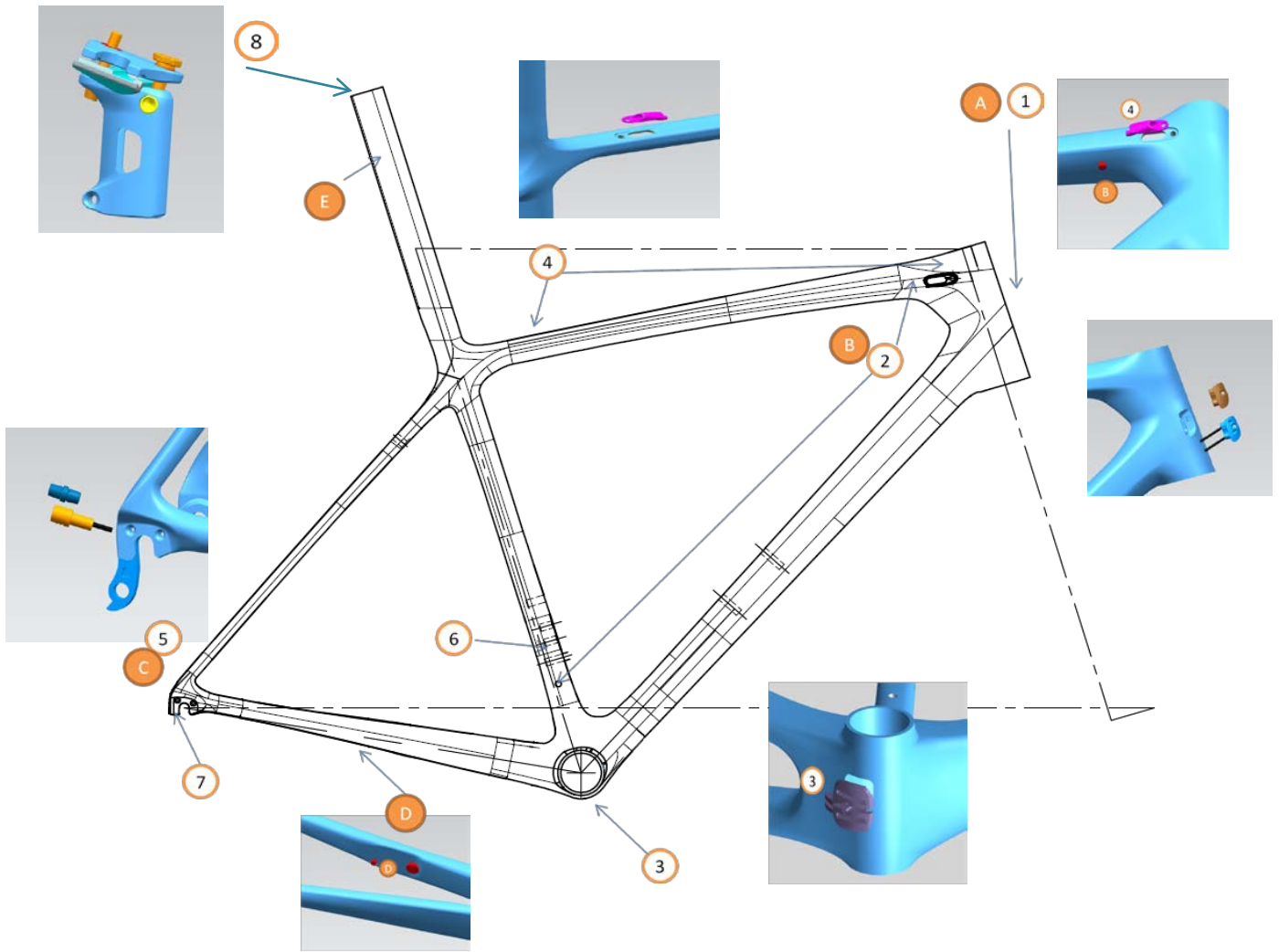
- FD: Front derailleur cable
- RD: Rear derailleur cable
- eWire: Electronic shifting system wire from Junction A - Junction B – Battery unit.
- eFD: Electronic front derailleur wire
- eRD: Electronic rear derailleur wire
- RB: Rear brake cable
- RB: (L/R): Rear brake cable within Left/Rear configuration
- RB: (R/R): Rear brake cable within Right/Rear configuration
- RS: Remote dropper seatpost cable
- BB: Bottom bracket

- **Path:**

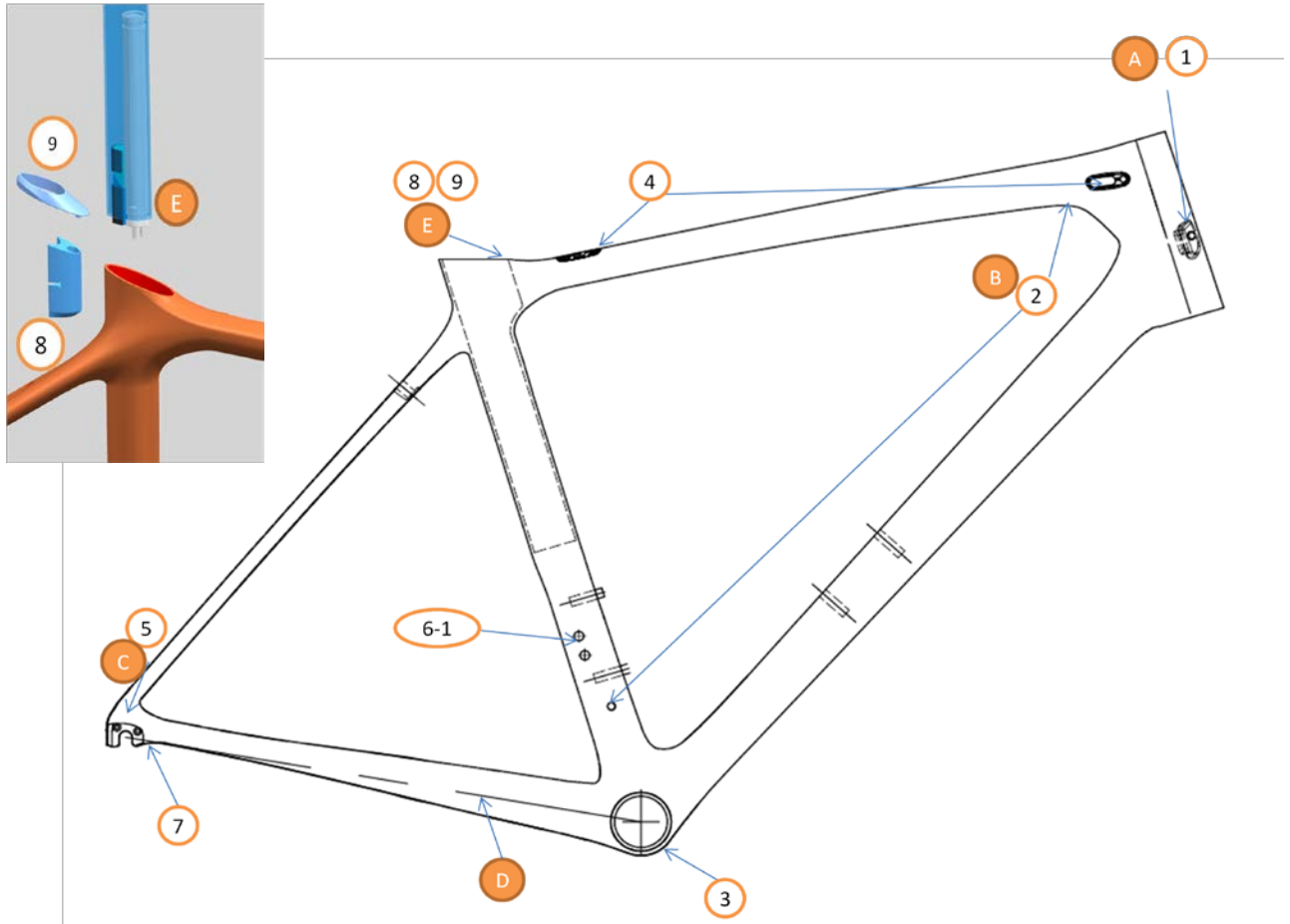
The path describes the cable routing sequence from front end to the connection of specific part.

- Symbol “→”: Pass the cable internally through frame;
- Symbol “➔”: Pass the cable externally through frame.

2.1 MY16 TCR Adv(Pro) & Adv SL-Mechanical

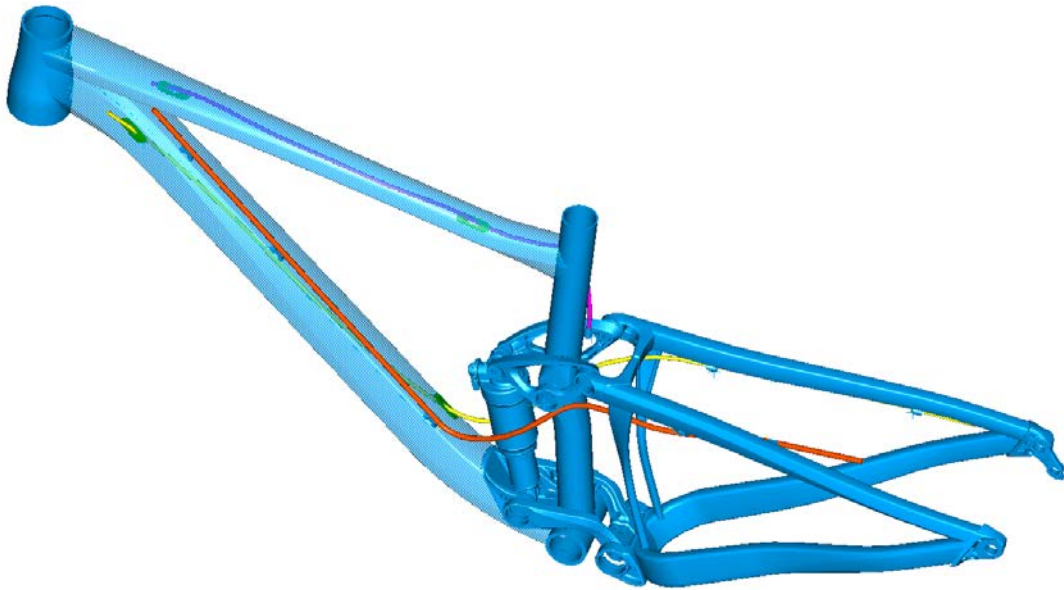


| No | Statement | P/N | QTY. | TORQUE(N · m) |
|--------------------------------------|--|-----------------|------|---------------|
| 1 | CM333 CABLE STOPPER NYLON W/1000MM PE HOSE FOR MECH DRL.(MY16 TCR ADV) | 1472-CM333A-601 | 1 | 1.5N · m |
| 2 | CAP FOR SEAT TUBE DI2 HOLE (WL-9202-6) | 1346-WL9202-401 | 2 | - |
| 3 | WG62 BB GUIDE FOR MY16 TCR ADV SL/TCR ADV W/ BOLT | 1640-WG6200-601 | 1 | - |
| 4 | Brake Cable Stopper-MY16 TCR ADV SL/TCR | 1472-CBLSTP-601 | 2 | 1.5N · m |
| 5 | CM246B D6.5 DERAILLEUR CABLE STOPPER(C/S) | 1630-CM246B-201 | 1 | - |
| 6 | WG34 34W FOR:50/34T A6066 BLK | 1643-WG3400-01 | 1 | - |
| 7 | RECL A7005-T6 FOR MY16-TCR ADV W/M3X0.5X8L | 1159-RECL00-001 | 1 | 1.5 N · m |
| 8 | G6SD01(SP132S) BODY ANO.BLK CLAMP ANO.BLK W/Ti BOLT(FOR MY16 TCR ADV SL ISP) | 1725-G6SD01-601 | 1 | |
| Di2 Upgrade parts [put in small box] | | | | |
| A | CM332 CABLE STOPPER NYLON FOR Di2 DRL.(MY16 TCR ADV) | 1472-CM332A-601 | 1 | 1.5N · m |
| B | GROMMET FOR EW-SD50, SM-GM02, (7X8MM), BULK | 1472-GROMMET-02 | 2 | - |
| C | CCG053N 8.5MMX17MM D2.8MM/3.7MM RUBBER | 1471-CCG053-201 | 1 | - |
| D | RIDESENSOR PLUG CHAIN STAY IN PVC BAG | 134-SENSOR-202 | 1 | - |
| E | NEW VECTOR AERO SP/ISP DI2 BATTERY HOLDER W/MANUAL(MY16 TCR ADV) | 2450-G16BTA-601 | 1 | - |

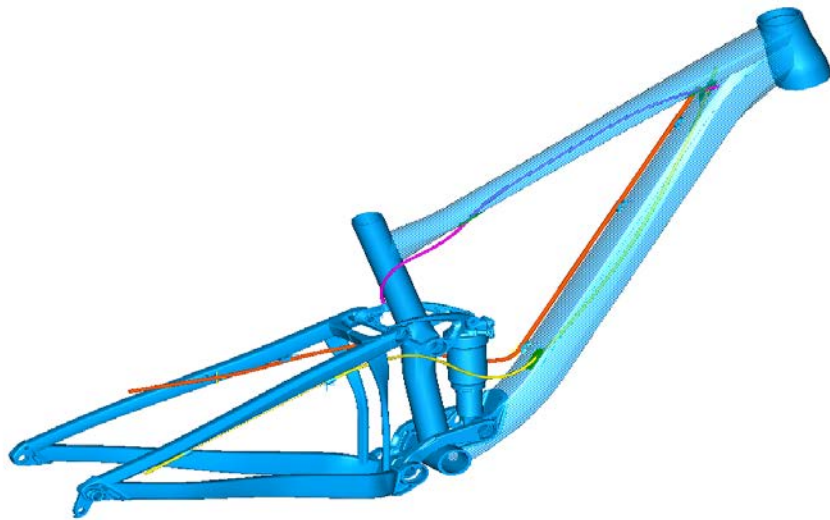


| No | Statement | P/N | QTY. | TORQUE(N · m) |
|---|--|-----------------|------|---------------|
| 1 | CM333 CABLE STOPPER NYLON W/1000MM PE HOSE FOR MECH DRL.(MY16 TCR ADV) | 1472-CM333A-601 | 1 | 1.5N · m |
| 2 | CAP FOR SEAT TUBE DI2 HOLE (WL-9202-6) | 1346-WL9202-401 | 2 | - |
| 3 | WG62 BB GUIDE FOR MY16 TCR ADV SL/TCR ADV W/ BOLT | 1640-WG6200-601 | 1 | - |
| 4 | Brake Cable Stopper-MY16 TCR ADV SL/TCR | 1472-CBLSTP-601 | 2 | 1.5N · m |
| 5 | CM246B D6.5 DERAILLEUR CABLE STOPPER(C/S) | 1630-CM246B-201 | 1 | - |
| 6-1 | WG39 A6066-T6 ANOD BLK W/M5X0.8X15L | 1643-WG3900-01 | 1 | |
| 7 | RECL A7005-T6 FOR MY16-TCR ADV W/M3X0.5X8L | 1159-RECL00-001 | 1 | 1.5 N · m |
| 8 | G16SC1 AL6061 BLK INTEGRATE SEAT CLAMP(3PCS) W/M5X35MM BOLT W/0.5MM | 1722-G16SC1-601 | 1 | 7 N · m |
| 9 | MY16 TCR ADV SEATPOST WATERPROOF RUBBER SEAL | 1724-SPSHIM-602 | 1 | - |
| Di2 Upgrade parts [put in small box] | | | | |
| A | CM332 CABLE STOPPER NYLON FOR Di2 DRL.(MY16 TCR ADV) | 1472-CM332A-601 | 1 | 1.5N · m |
| B | GROMMET FOR EW-SD50, SM-GM02, (7X8MM), BULK | 1472-GROMET-02 | 2 | - |
| C | CCG053N 8.5MMX17MM D2.8MM/3.7MM RUBBER | 1471-CCG053-201 | 1 | - |
| D | RIDESENSOR PLUG CHAIN STAY IN PVC BAG | 134-SENSOR-202 | 1 | - |
| E | NEW VECTOR AERO SP/ISP DI2 BATTERY HOLDER W/MANUAL(MY16 TCR ADV) | 2450-G16BTA-601 | 1 | - |

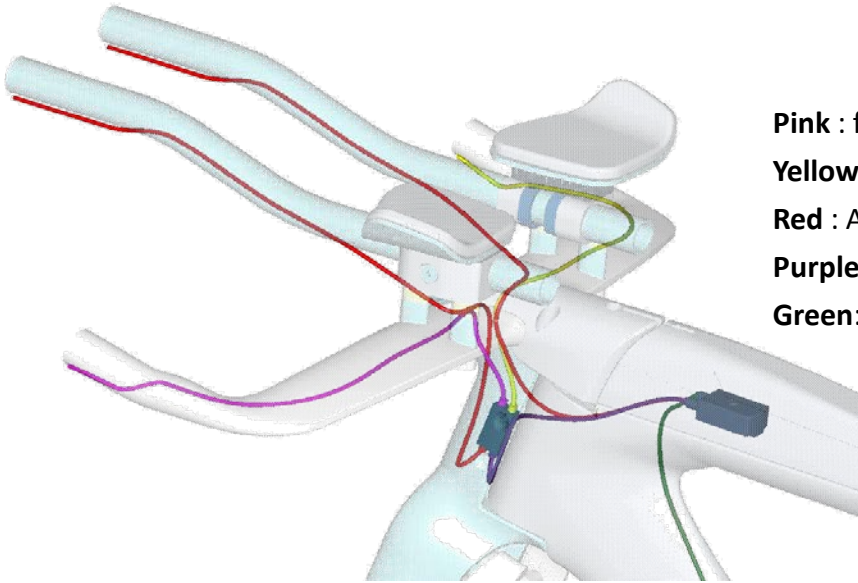
2.2 MY16 Anthem X 29 Cable Routing



orange: rear brake
Yellow: rear shifting
pink : front shifting

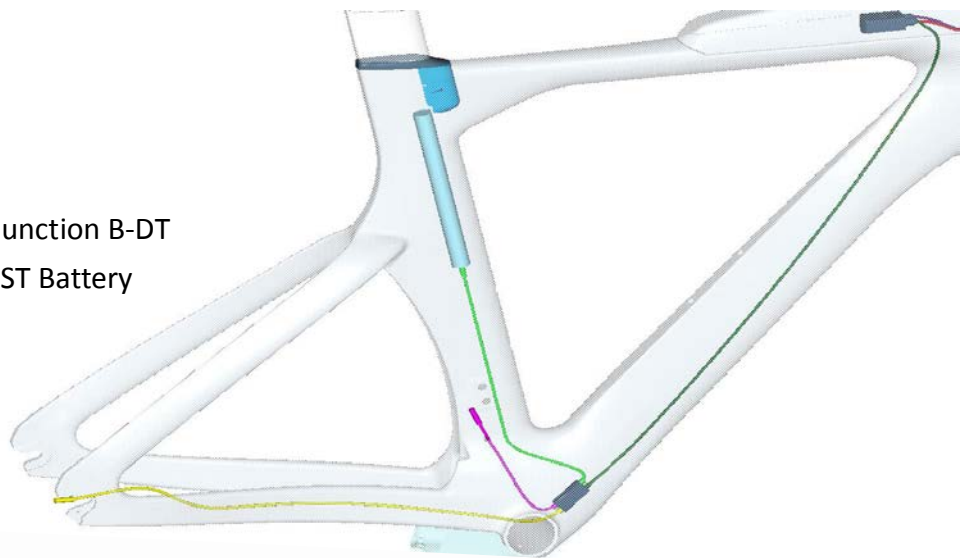


2.3 MY16 Avow Advance Pro



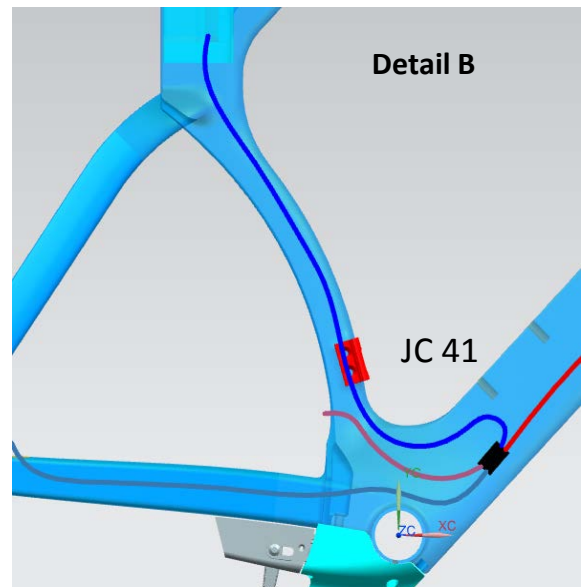
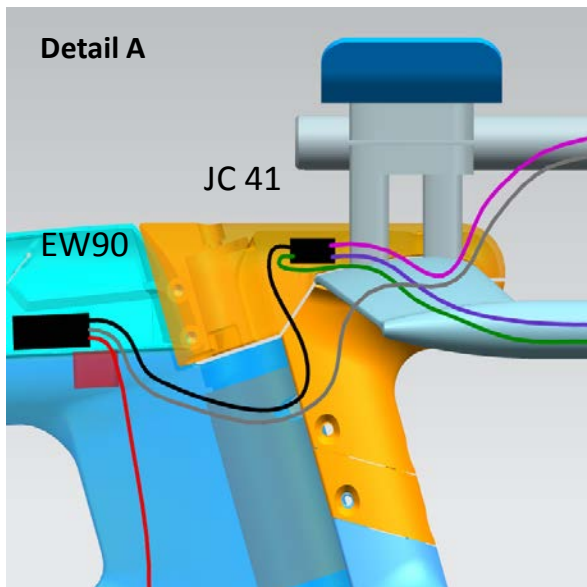
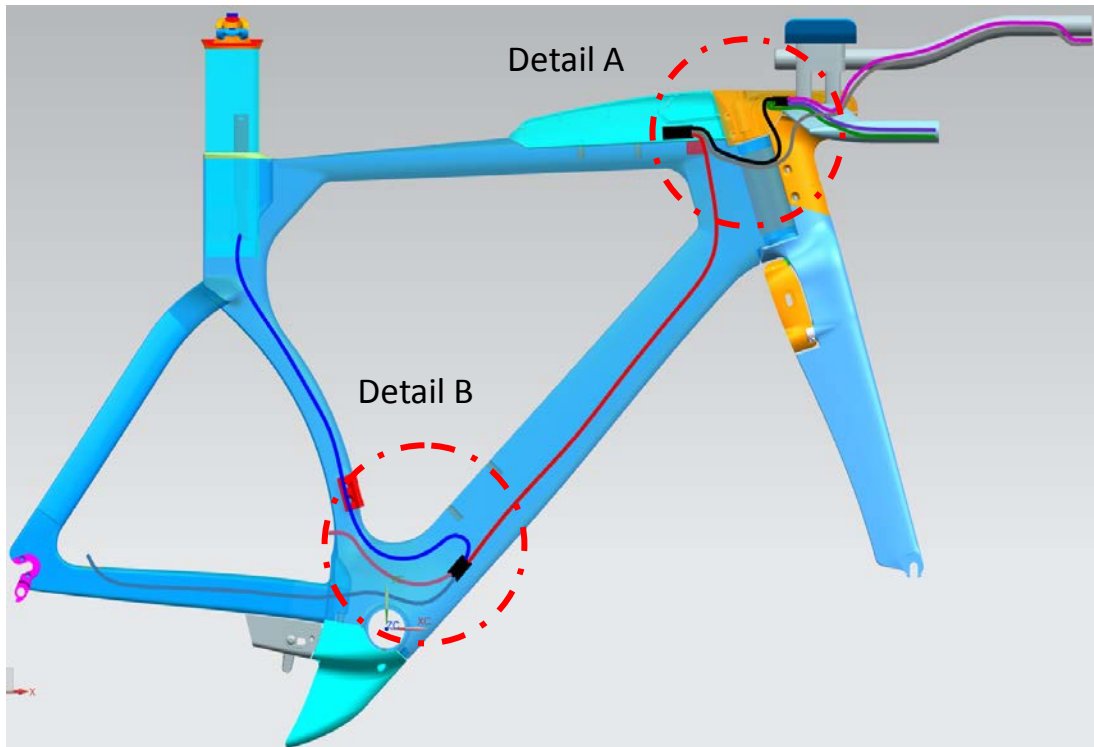
- Pink** : front shifting
- Yellow**: rear shifting
- Red** : Arm shifting to Junction A & J-B1
- Purple**: J-B1 to Junction A
- Green**: Junction A- To Junction B-DT

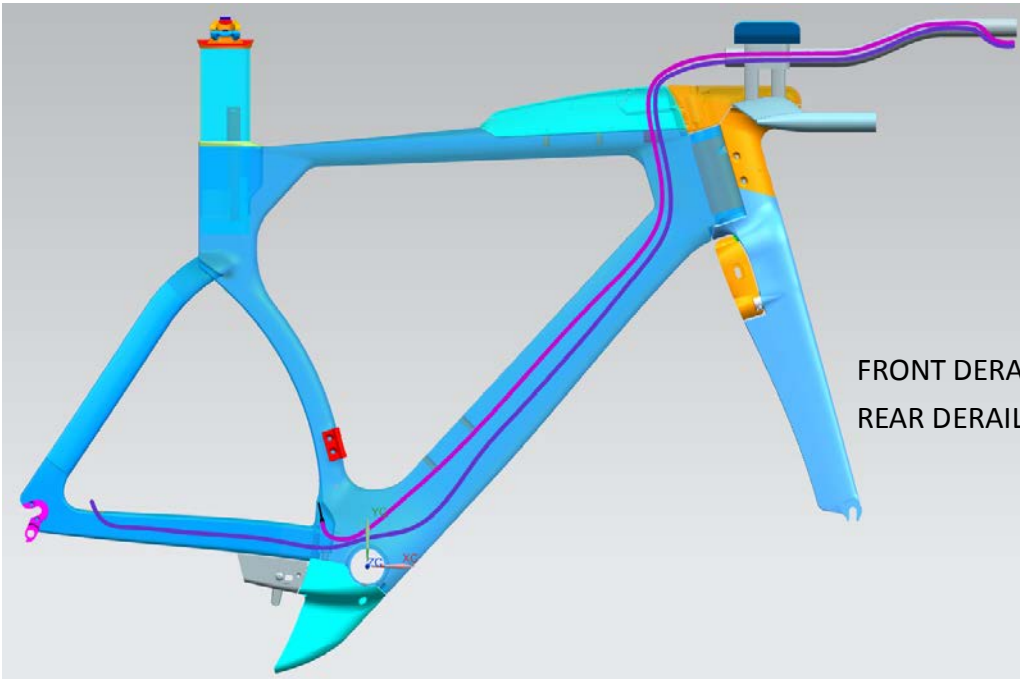
- Pink** : front shifting
- Yellow**: rear shifting
- Green**: Junction A- To Junction B-DT
- Light Green**: J-B-DT To ST Battery



- Blue**: Rear brake
- Orange**: Front brake

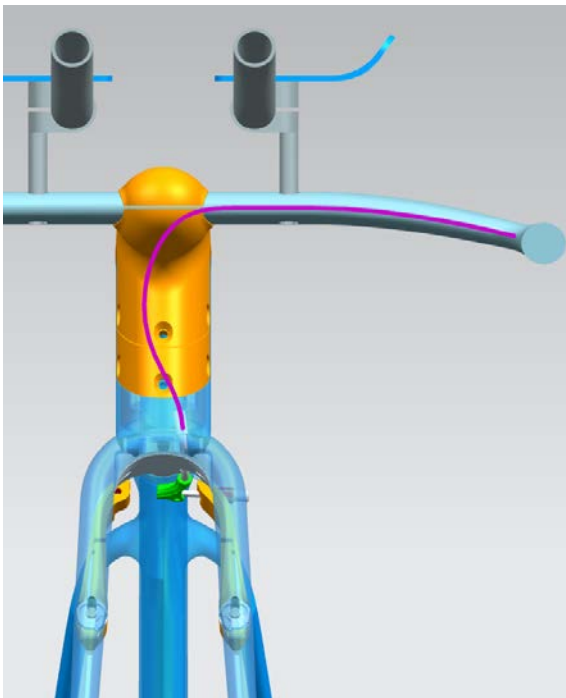
2.4 MY16 Trinity Advanced Pro





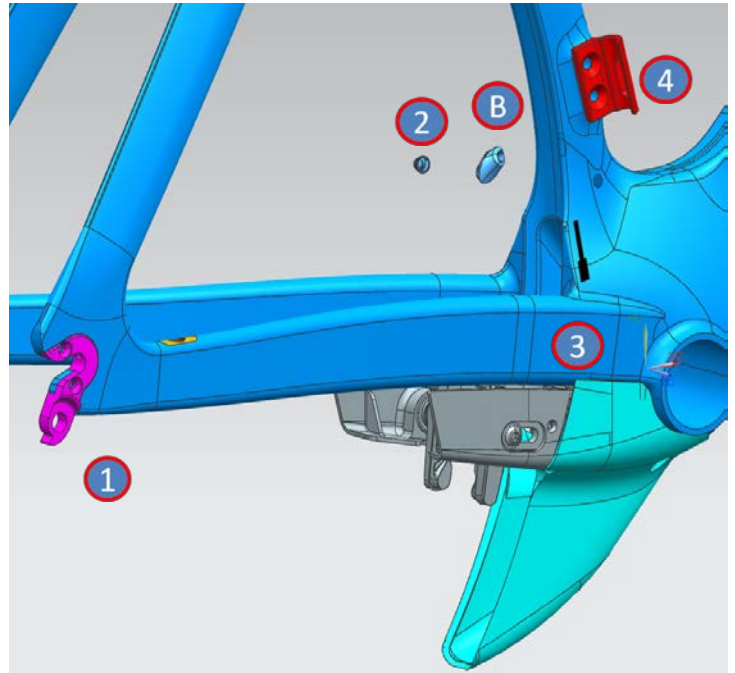
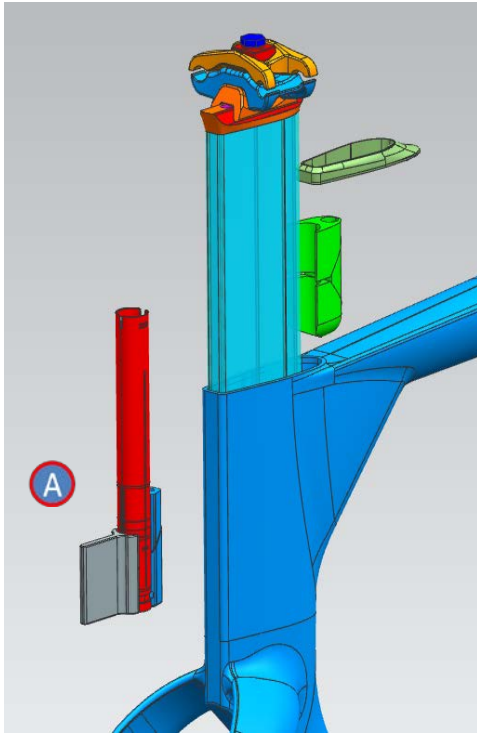
FRONT DERAILLEUR CABLE : Pink
REAR DERAILLEUR CABLE : Purple

Front brake



Rear brake

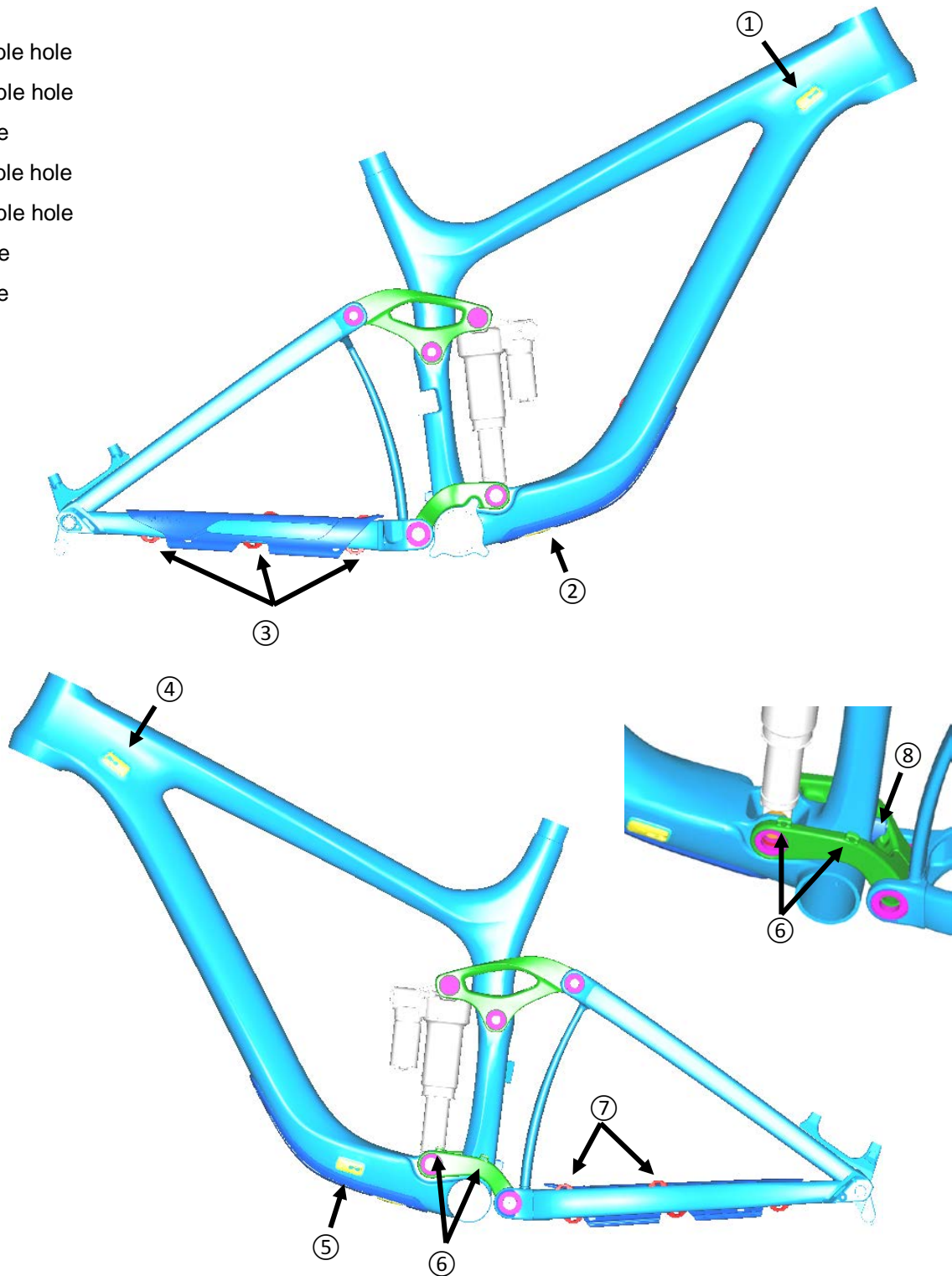




| No. | Statement | P/N |
|-------------------------------------|--|-----------------|
| 1 | RE155 A7005-T6 ANO BLK W/M4X0.7X10X2PC STL BOLT | 1159-RE1550-001 |
| 2 | CIRCLE (D=10, H=3.6) PLUG TOP & SEAT TUBE W/ GIANT LOGO FOR DI2 SYSTEM | 134-FRAMER-201 |
| 3 | M177BJ BK 4MM NOSED CAP 13mm | 1459-CM177BJ-01 |
| 4 | WG39 A6066-T6 ANOD BLK W/M5X0.8X15L-2PC | 1643-WG3900-01 |
| Di2 parts [put in small box] | | |
| A | MY16 TRI/AVOW AERO SP DI2 BATTERY HOLDER W/MANUAL | 2450-G16BTA-602 |
| B | GROMMET FOR EW-SD50, SM-GM02, (7X8MM), BULK | 1472-GROMET-02 |

2.5 MY15 Reign Advanced 27.5

- ① Internal cable hole
- ② Internal cable hole
- ③ Cable guide
- ④ Internal cable hole
- ⑤ Internal cable hole
- ⑥ Cable guide
- ⑦ Cable guide
- ⑧ Cable stop



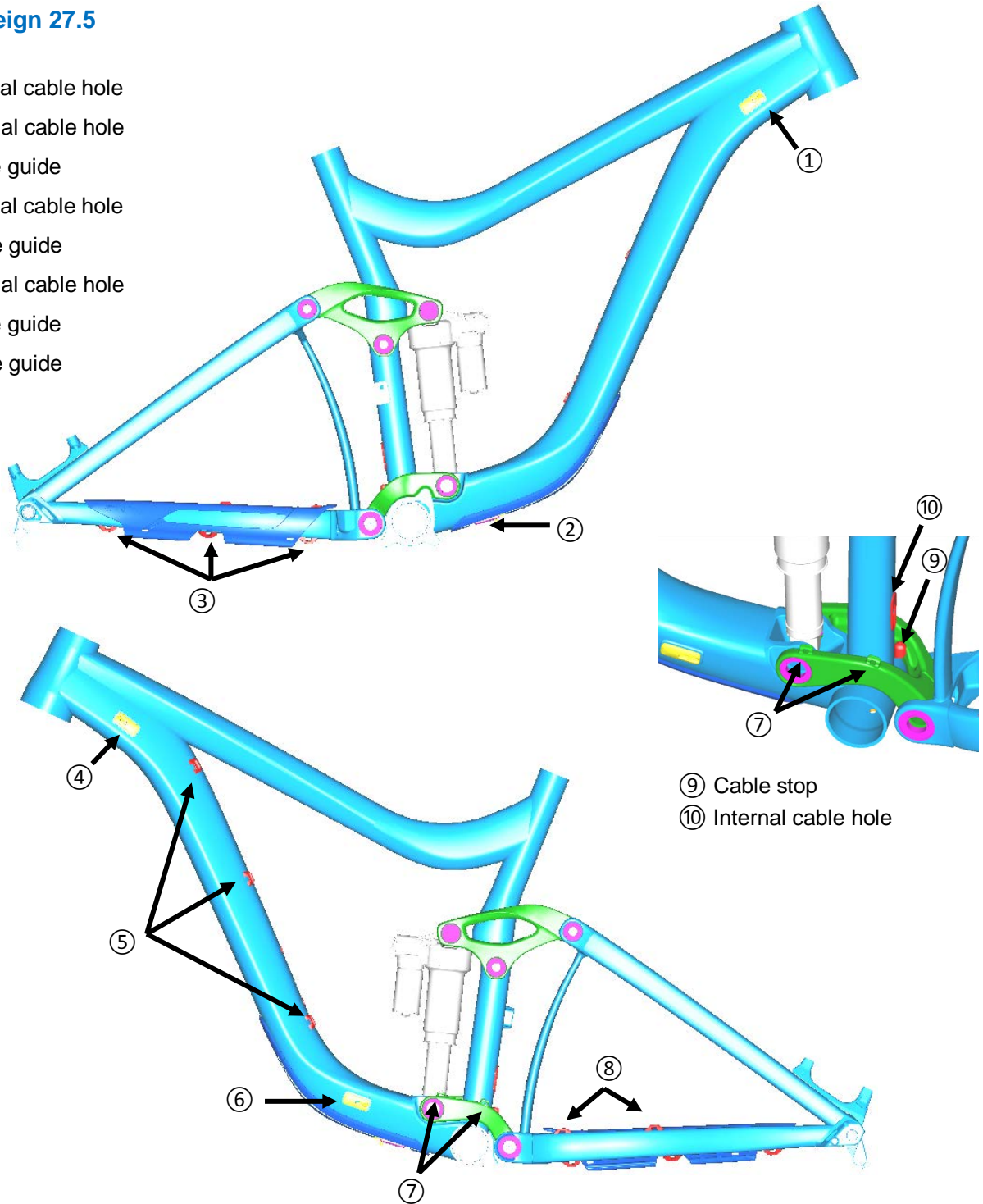
| Cable | Path | Note |
|----------|--|--|
| FD | ① → ② → ⑧ | |
| RD | ④ → ② → ③ | |
| RB (R/R) | ④ → ⑤ → ⑥ → ⑦ | |
| RB (L/R) | ① → ⑤ → ⑥ → ⑦ | |
| RS | ①/④* ¹ → BB* ² → Inside of seat tube | *1. For left/rear brake configuration, use ④. *2. Route through the inside of BB. |

There are 3 kinds of plugs used for internal cable holes:

1472-PLUGIN-404 (1 cable), 1472-PLUGIN-402 (2 cable), 1472-PLUGIN-403 (3 cable)

2.6 MY15 Reign 27.5

- ① Internal cable hole
- ② Internal cable hole
- ③ Cable guide
- ④ Internal cable hole
- ⑤ Cable guide
- ⑥ Internal cable hole
- ⑦ Cable guide
- ⑧ Cable guide



- ⑨ Cable stop
- ⑩ Internal cable hole

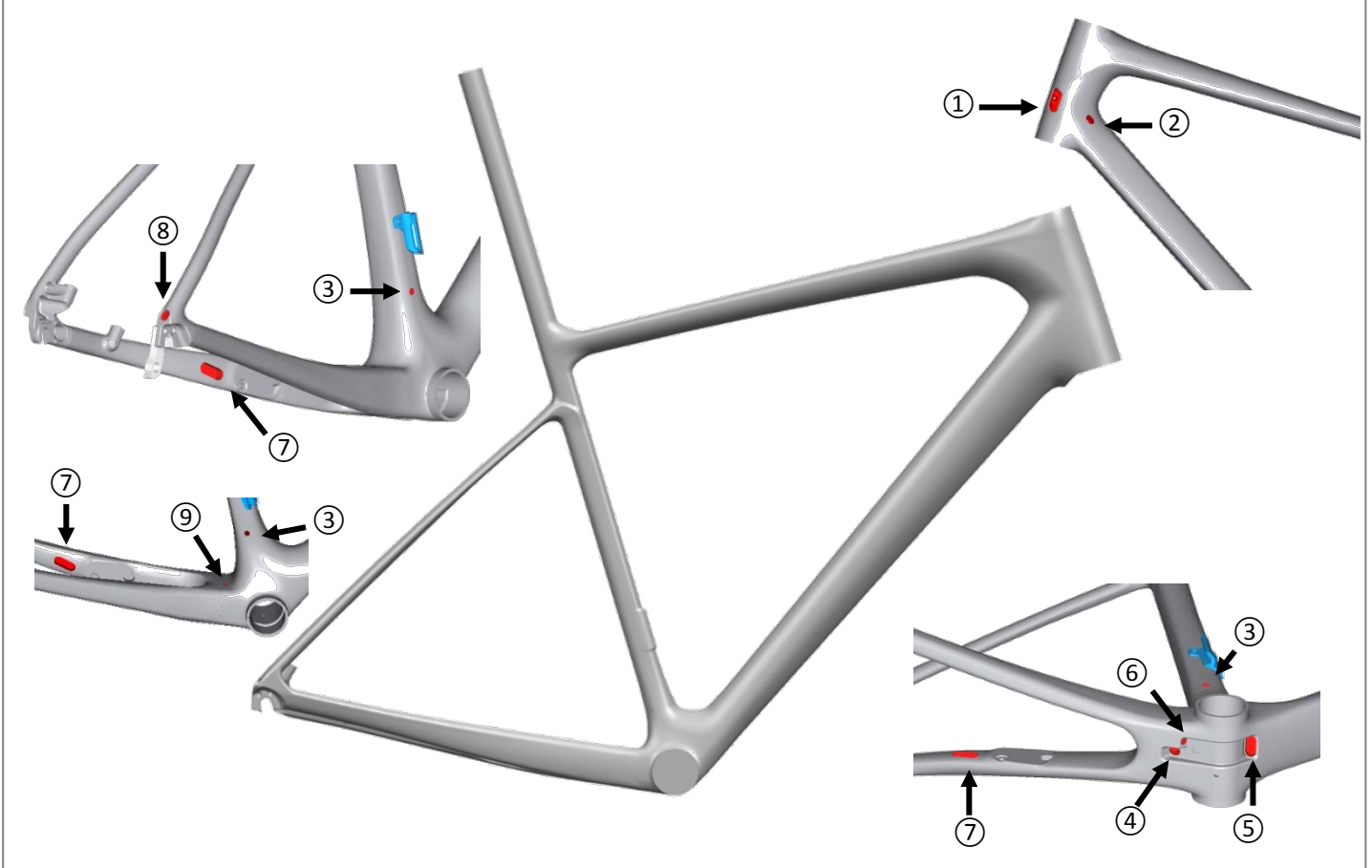
| Cable | Path | Note |
|----------|---|---|
| FD | ① → ② → ⑨ | |
| RD | ④ → ② → ③ | |
| RB (R/R) | Internal routing: ④ → ⑥ → ⑦ → ⑧ External routing: ⑤ → ⑦ → ⑧ | |
| RB (L/R) | ① → ⑥ → ⑦ → ⑧ | Internal only. |
| RS | ① / ④ ^{*1} → ⑥ / ② ^{*2} → ⑩ → inside of seat tube ^{*3} | <p>*1. For left/rear brake configuration, use ④.</p> <p>*2. For non-front derailleur shifting system, pass cable through ②.</p> <p>*3. Route the cable under the outside of BB after cable threaded out from ⑥ / ②, then thread the cable into ⑩.</p> |

There are 3 kinds of plugs used for internal cable holes:

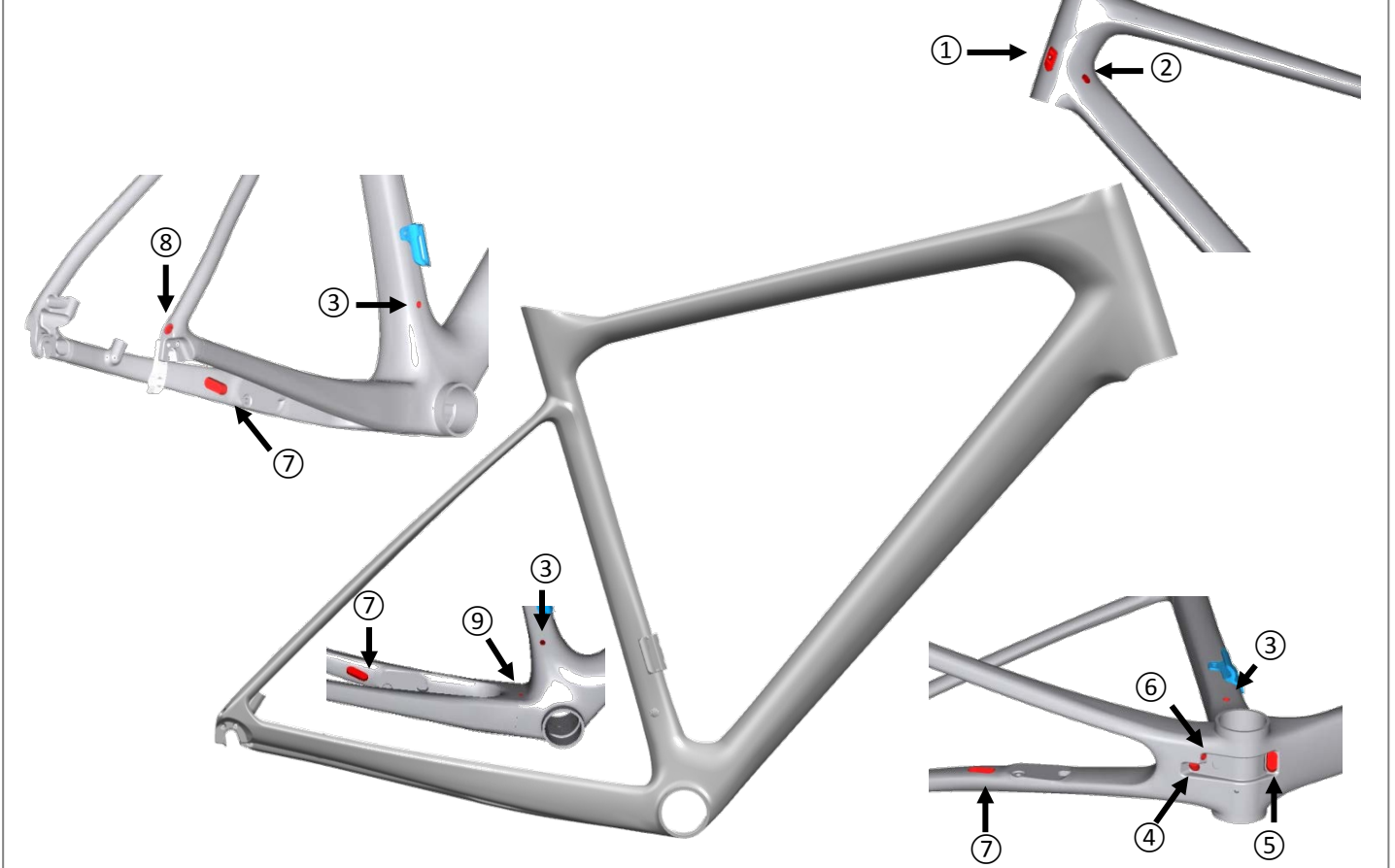
1472-PLUGIN-404 (1 cable), 1472-PLUGIN-402 (2 cable), 1472-PLUGIN-403 (3 cable)

2.7 MY15 Defy Advanced SL ISP / Defy Advanced

Defy Advanced SL ISP

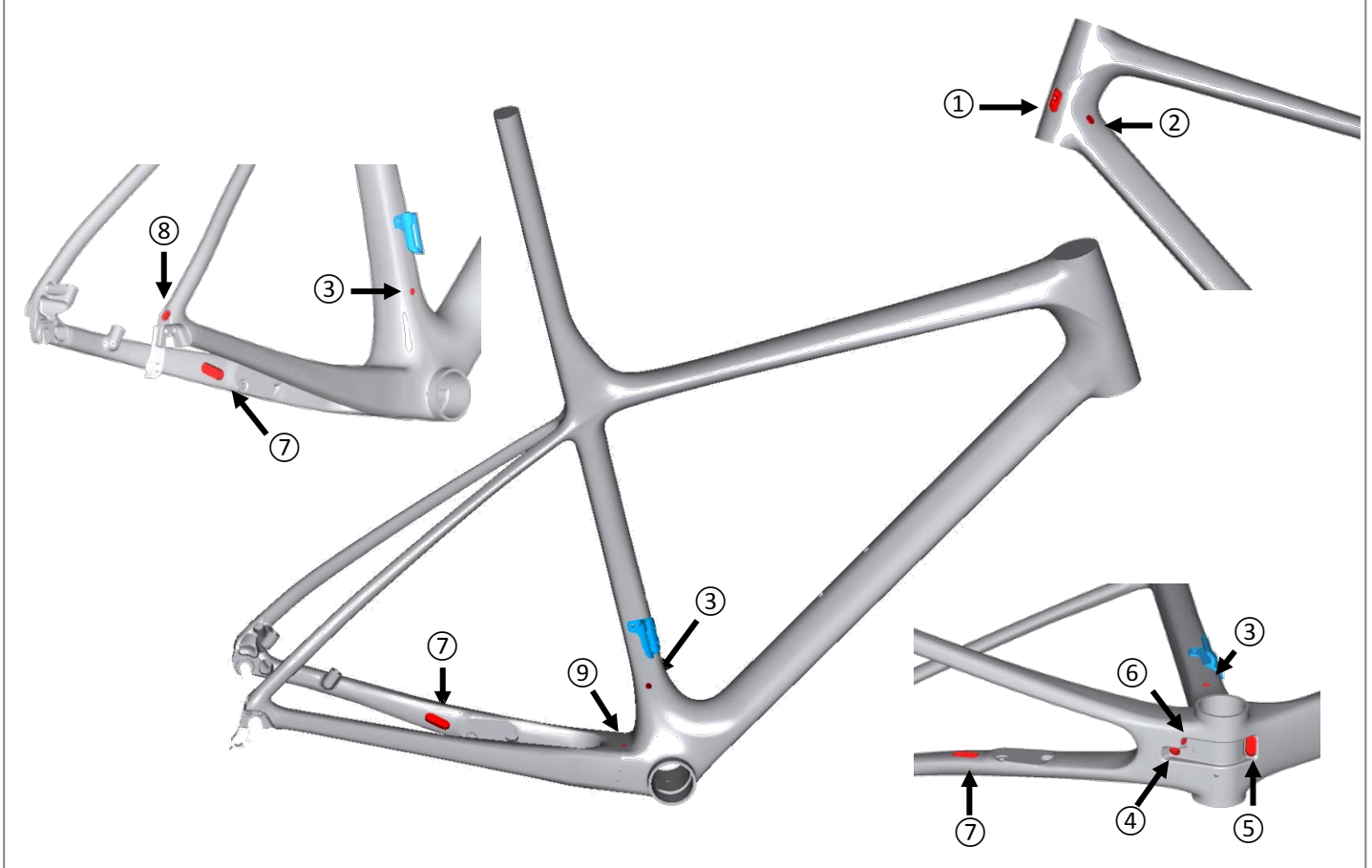


Defy Advanced

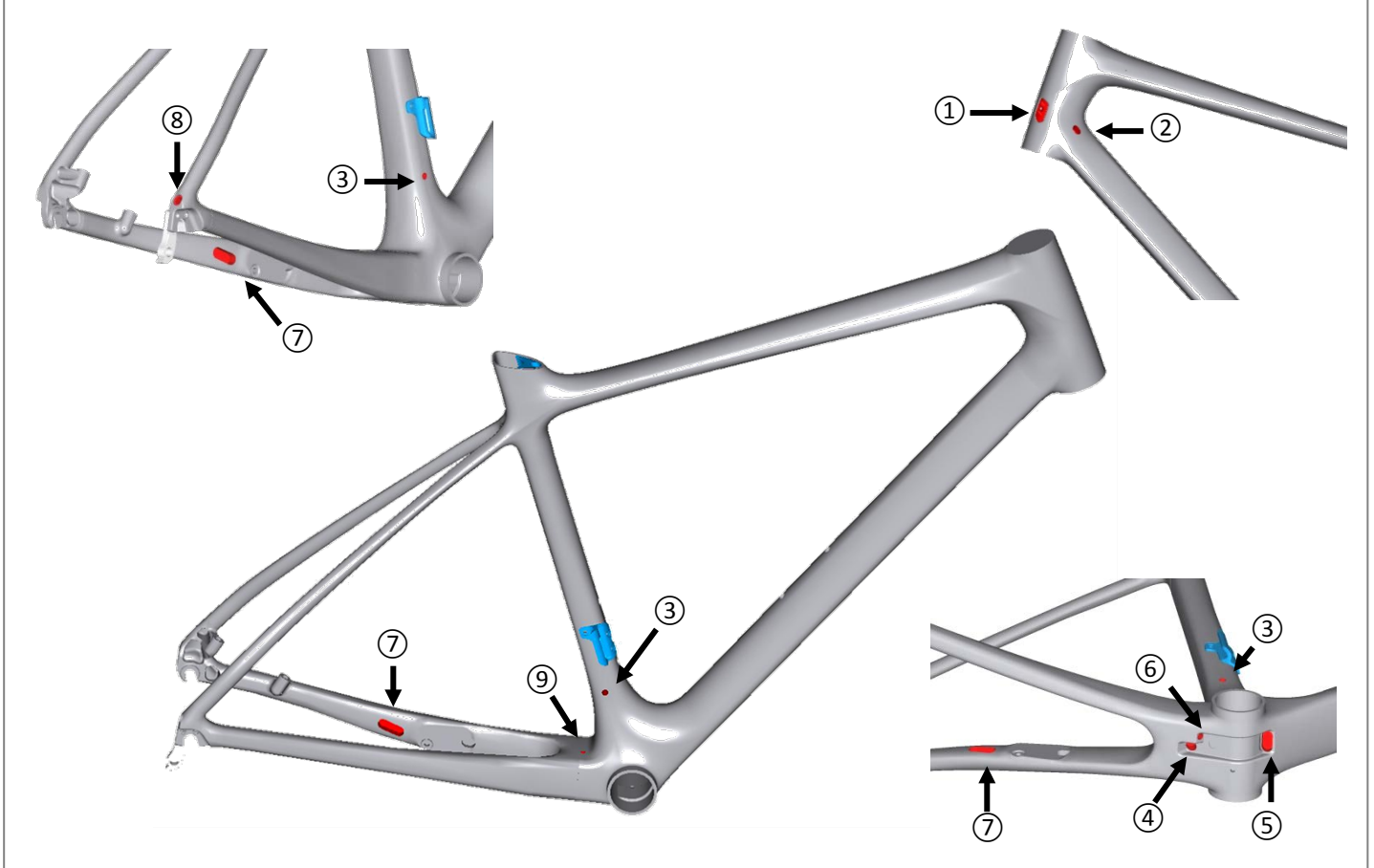


2.8 MY15 Avail Advanced SL ISP / Avail Advanced

Avail Advanced SL ISP



Avail Advanced



Cable routing path

Following MY15 frames share the same cable routing path

- 3 GIANT Defy Advanced SL ISP
- 4 GIANT Defy Advanced
- 5 Liv Avail Advanced SL ISP
- 6 Liv Avail Advanced

| Cable | Path | Note |
|----------|--------------------------------|--|
| FD | ①→⑤→④→⑨ | ① 1472-CM311A-501 |
| RD | ①→⑤→⑥→⑧ | ⑧ 1630-CM246B-201 |
| eWire | ①→inside of BB→Seatpost bottom | Refer shifting system manufacturer's tech manual |
| eFD | Inside of BB→③ | |
| eRD | Inside of BB→⑧ | |
| RB (R/R) | ②→⑦ | Run the cable through inside of BB then thread through left chain stay directly. |
| RB (L/R) | ②→⑦ | ② 1472-OILRUB-401 ⑦ 1472-PLUGIN-404 |

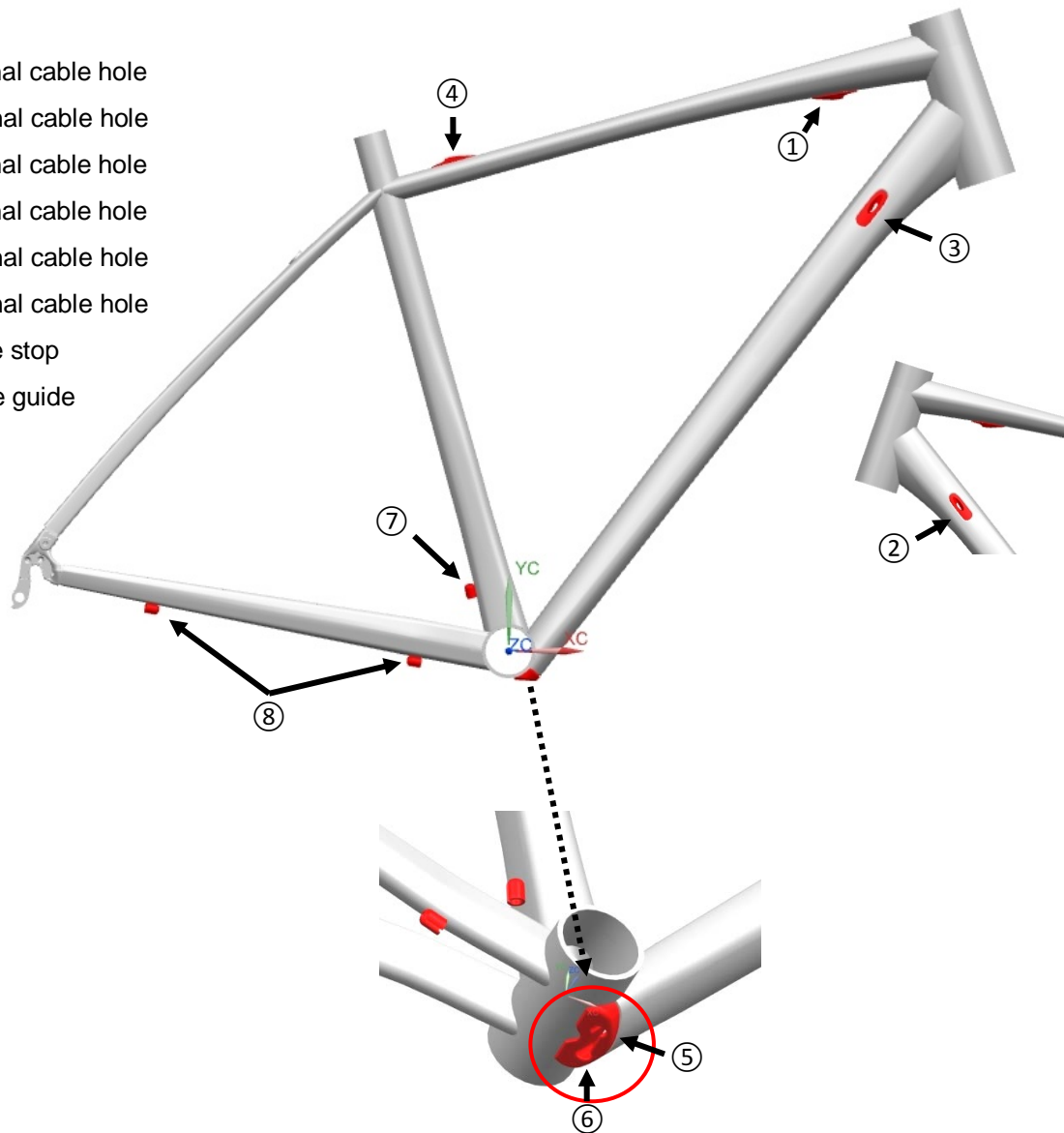
Accessories for Internal cable routing

| Mechanical shifting system | | | |
|----------------------------|-----------------|-----------------------|-------------------------------|
| # | Part # | Description | Note |
| ① | 1472-CM311A-501 | Cable stop | Fixing bolt max torque 1.5 Nm |
| ② | 1472-OILRUB-401 | Oil cable rubber | |
| ③ | 134-FRAMER-202 | Frame hole plug | |
| ⑦ | 1472-PLUGIN-404 | Internal 1 cable port | |
| ⑧ | 1630-CM246B-201 | Cable stopper | |
| | 1640-G2WG01-201 | BB guide | Fixing bolt max torque 3.0 Nm |

| Electronic shifting system | | | |
|----------------------------|-----------------|-------------------------|-------------------------------|
| # | Part # | Description | Note |
| ① | 1472-HTPLUG-501 | Electronic wire grommet | |
| ② | 1472-OILRUB-401 | Oil cable rubber | |
| ③ | 1472-GROMET-02 | Electronic wire grommet | |
| ⑦ | 1472-PLUGIN-404 | Internal 1 cable port | |
| ⑧ | 1471-CCG053-201 | Electronic wire grommet | |
| | 1640-G2WG01-201 | BB guide | Fixing bolt max torque 3.0 Nm |

2.8 MY15 Avail Aluxx (D-Fuse seat tube)

- ① Internal cable hole
- ② Internal cable hole
- ③ Internal cable hole
- ④ Internal cable hole
- ⑤ Internal cable hole
- ⑥ Internal cable hole
- ⑦ Cable stop
- ⑧ Cable guide



Cable routing path

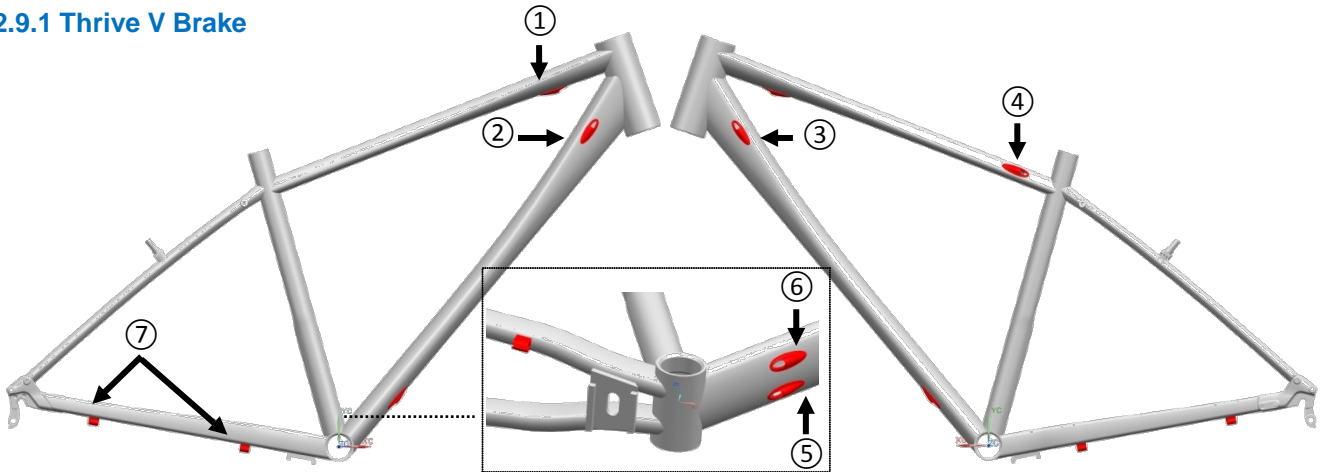
| Cable | Path | Note |
|-------|-----------|--|
| FD | ② → ⑥ → ⑦ | Route the cable under the outside of BB after cable threaded out from ⑥. |
| RD | ③ → ⑤ → ⑧ | |
| RB | ① → ④ | |

Accessories for Internal cable routing

| # | Part # | Description | Note |
|---------|-----------------|-------------|----------------|
| ② ③ ⑤ ⑥ | 1630-CM267B-401 | Inner liner | Jagwire, black |

2.9 MY15 Thrive

2.9.1 Thrive V Brake



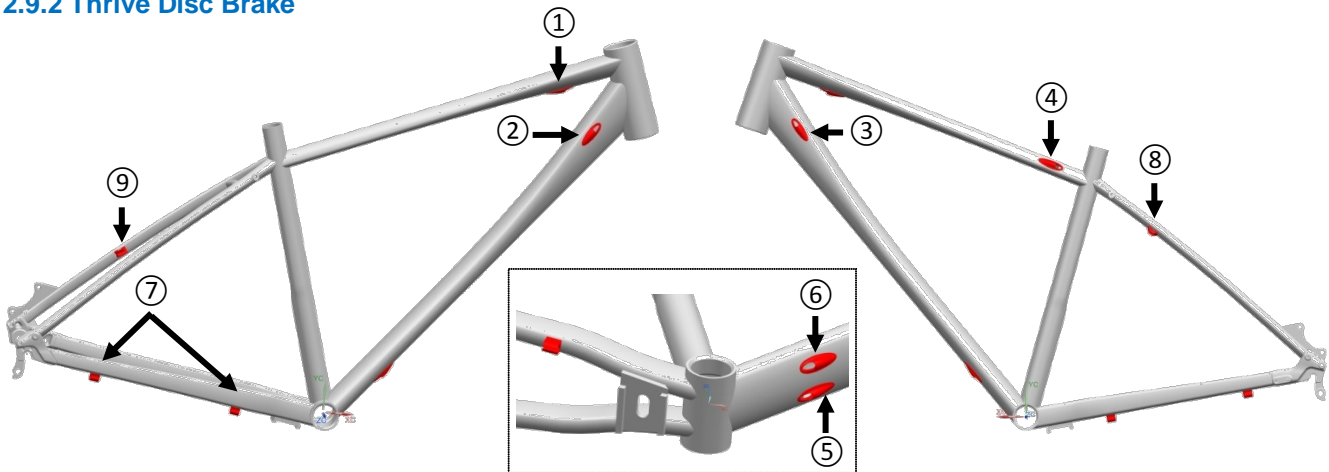
Cable routing path

| Cable | Path | Note |
|-------|-----------|--|
| FD | ③ → ⑤ | Route the cable under the outside of BB after cable threaded out from ⑤. |
| RD | ② → ⑥ → ⑦ | |
| RB | ① → ④ | |

Accessories for Internal cable routing

| Part # | Description | Note |
|-------------|-------------|---------------------------------|
| 164-WG26-01 | BB guide | Type: WG26 (GTM:164-3WG26001-4) |

2.9.2 Thrive Disc Brake



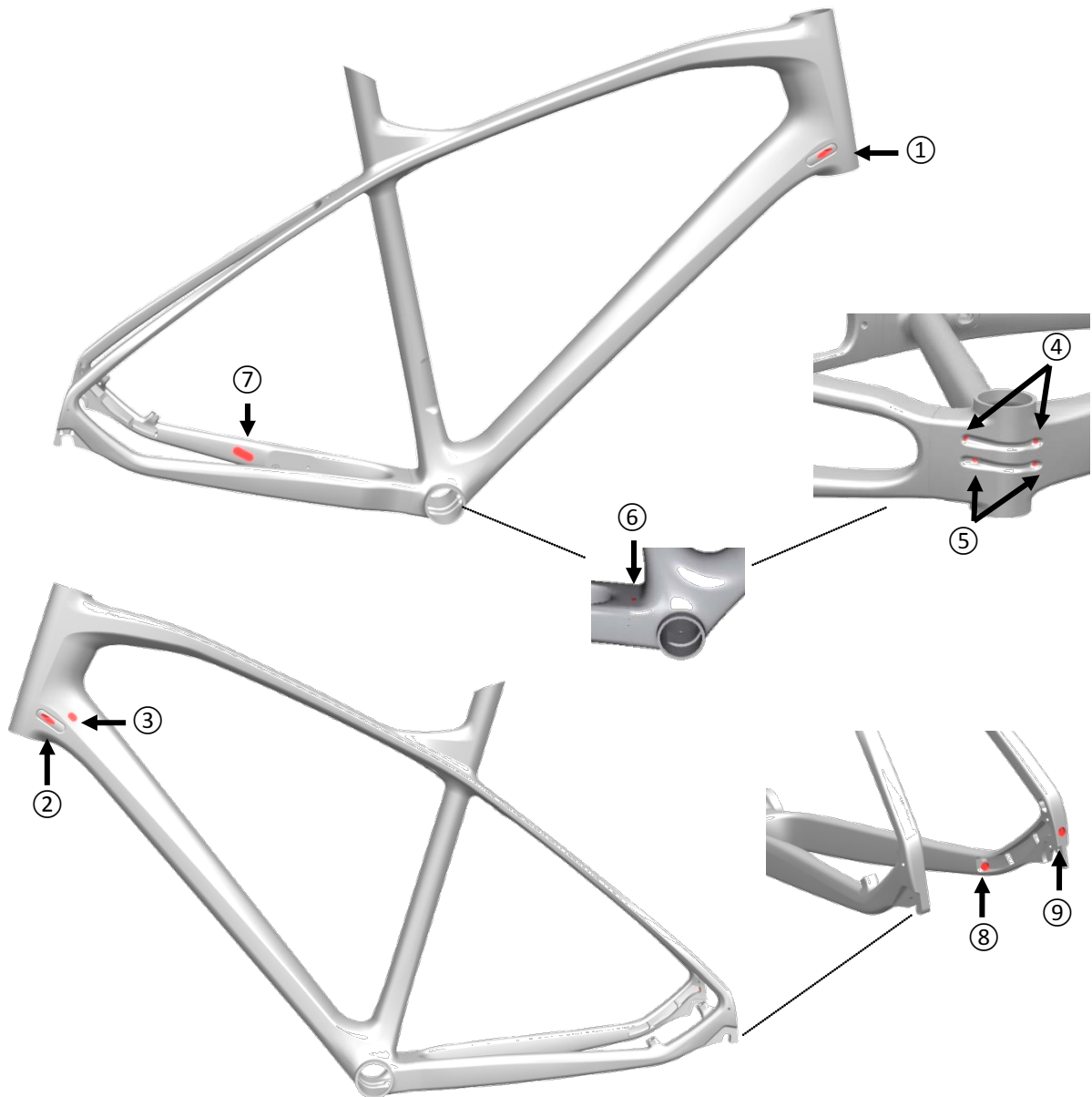
Cable routing path

| Cable | Path | Note |
|-------|---------------|--|
| FD | ③ → ⑤ | Route the cable under the outside of BB after cable threaded out from ⑤. |
| RD | ② → ⑥ → ⑦ | |
| RB | ① → ④ → ⑧ → ⑨ | |

Accessories for Internal cable routing

| Part # | Description | Note |
|-------------|-------------|---------------------------------|
| 164-WG26-01 | BB guide | Type: WG26 (GTM:164-3WG26001-4) |

2.10 MY15 Anyroad CoMax



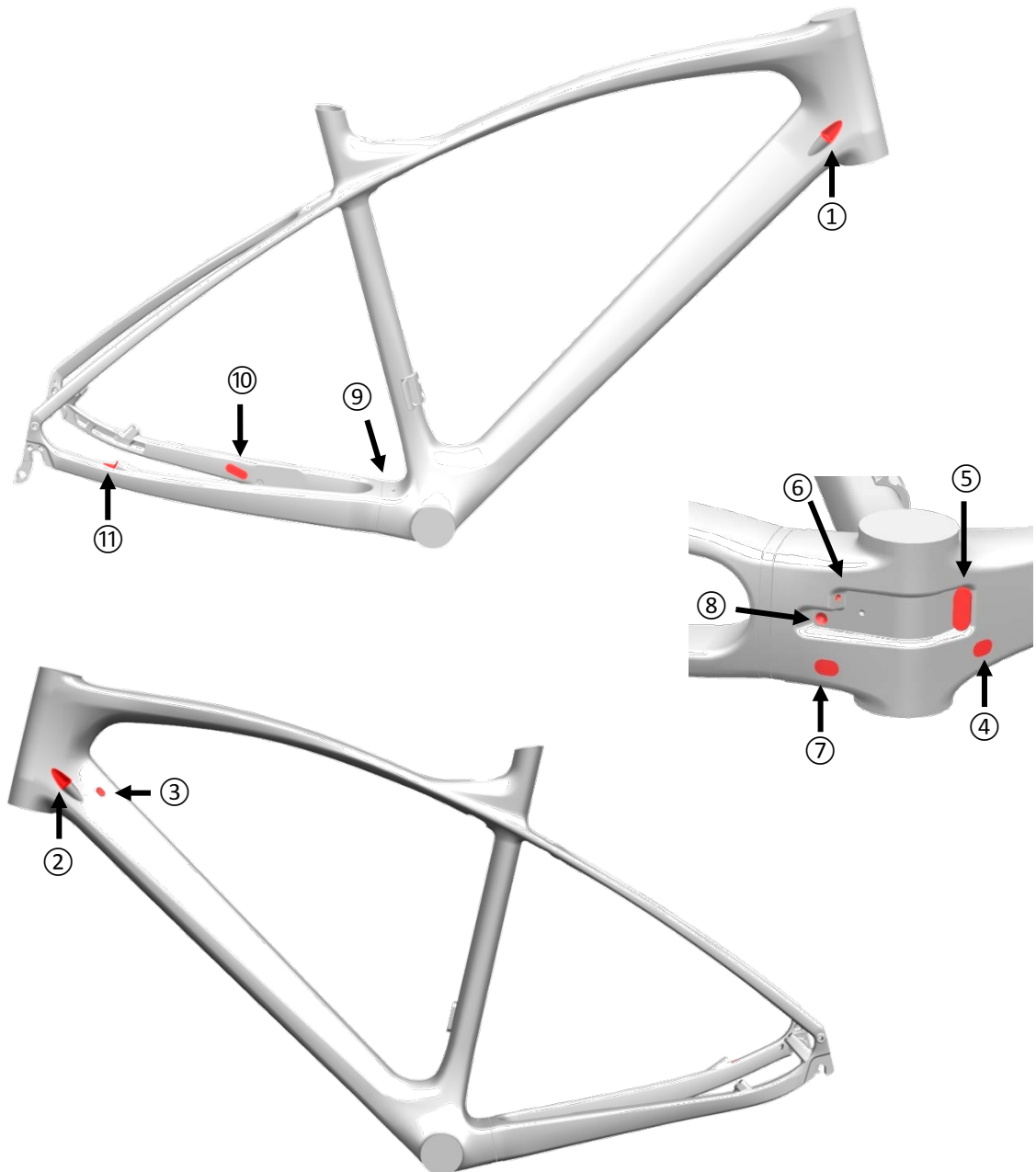
Cable routing path

| Cable | Path | Note |
|-------|---------------|--|
| FD | ① → ⑤ → ⑥ | |
| RD | ② → ④ → ⑧ → ⑨ | |
| RB | ③ → ⑦ | Route the cable through inside of BB and pass the right of chain stay. |

Accessories for Internal cable routing

| # | Part # | Description | Note |
|-------|-----------------|---------------------|------|
| ① ② ⑨ | 1630-CM245B-201 | Cable stopper | |
| ③ | 1472-OILRUB-401 | Oil cable rubber | |
| ⑦ | 1472-PLUGIN-404 | Internal cable port | |

2.11 MY15 Fastroad CoMax



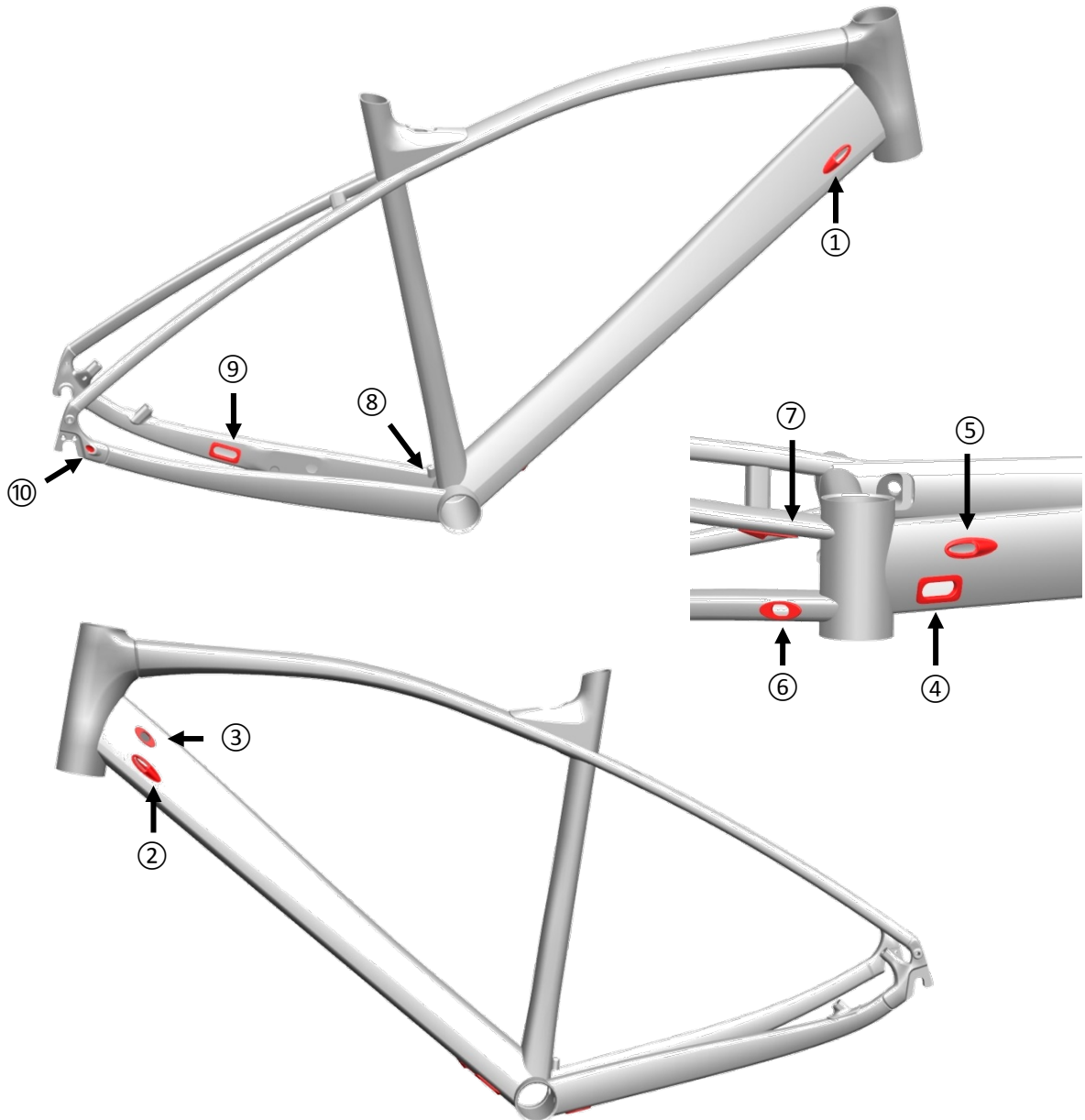
Cable routing path

| Cable | Path | Note |
|-------|---------|------|
| FD | ①→⑤→⑧→⑨ | |
| RD | ②→⑤→⑥→⑪ | |
| RB | ③→④→⑦→⑩ | |

Accessories for Internal cable routing

| # | Part # | Description | Note |
|-------|-----------------|---------------------|------|
| ① ② ⑪ | 1630-CM245B-201 | Cable stopper | |
| ③ ⑦ | 1472-OILRUB-401 | Oil cable rubber | |
| ④ ⑩ | 1472-PLUGIN-404 | Internal cable port | |

2.12 MY15 Fastroad SLR



Cable routing path

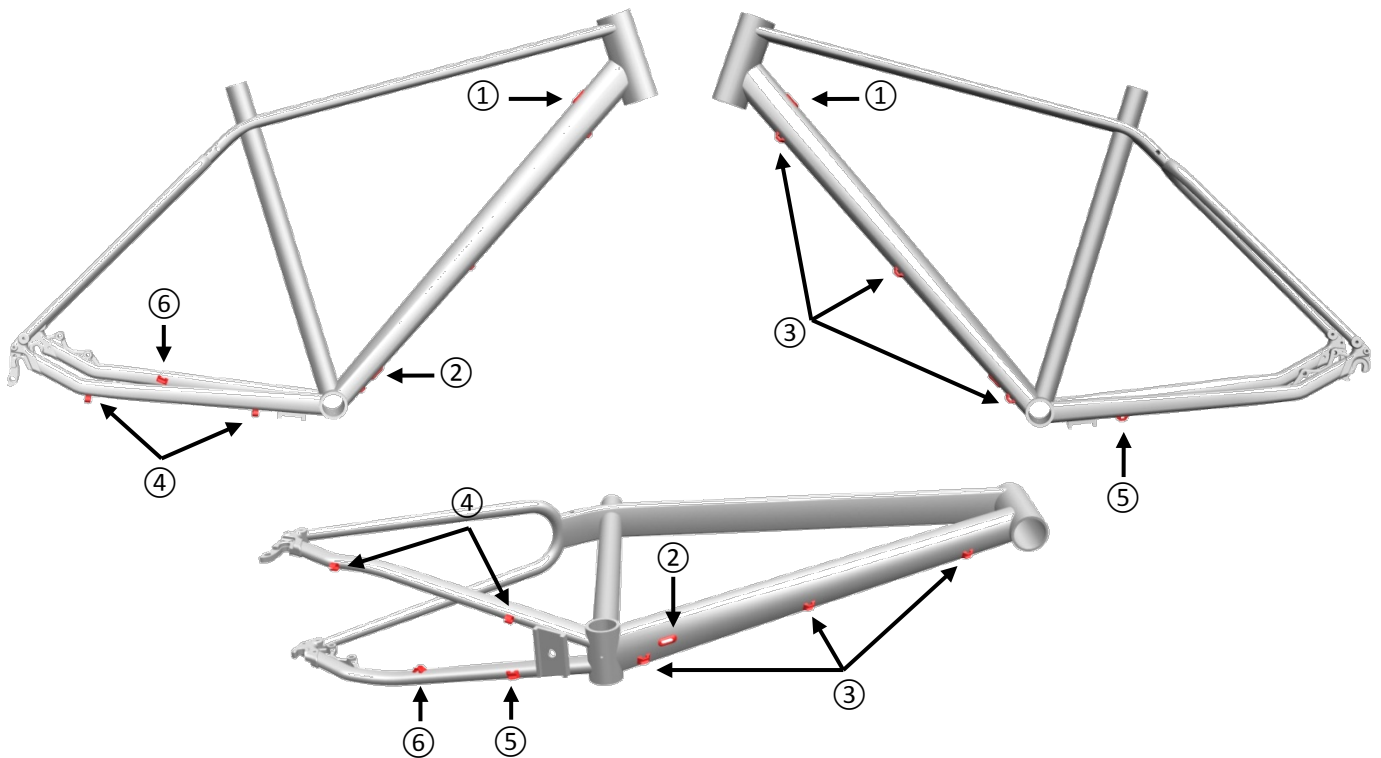
| Cable | Path | Note |
|-------|---------|--|
| FD | ①→⑤→⑧ | Route from the bottom of BB to ⑧ after the cable thread out ④. |
| RD | ②→⑤→⑦→⑩ | |
| RB | ③→④→⑥→⑨ | |

Accessories for Internal cable routing

| # | Part # | Description | Note |
|----|-----------------|---------------------|------|
| ④⑨ | 1472-PLUGIN-404 | Internal cable port | |
| ③⑥ | 1472-OILRUB-401 | Oil cable rubber | |

2.13 MY15 Escape

2.13.1 Escape disc brake



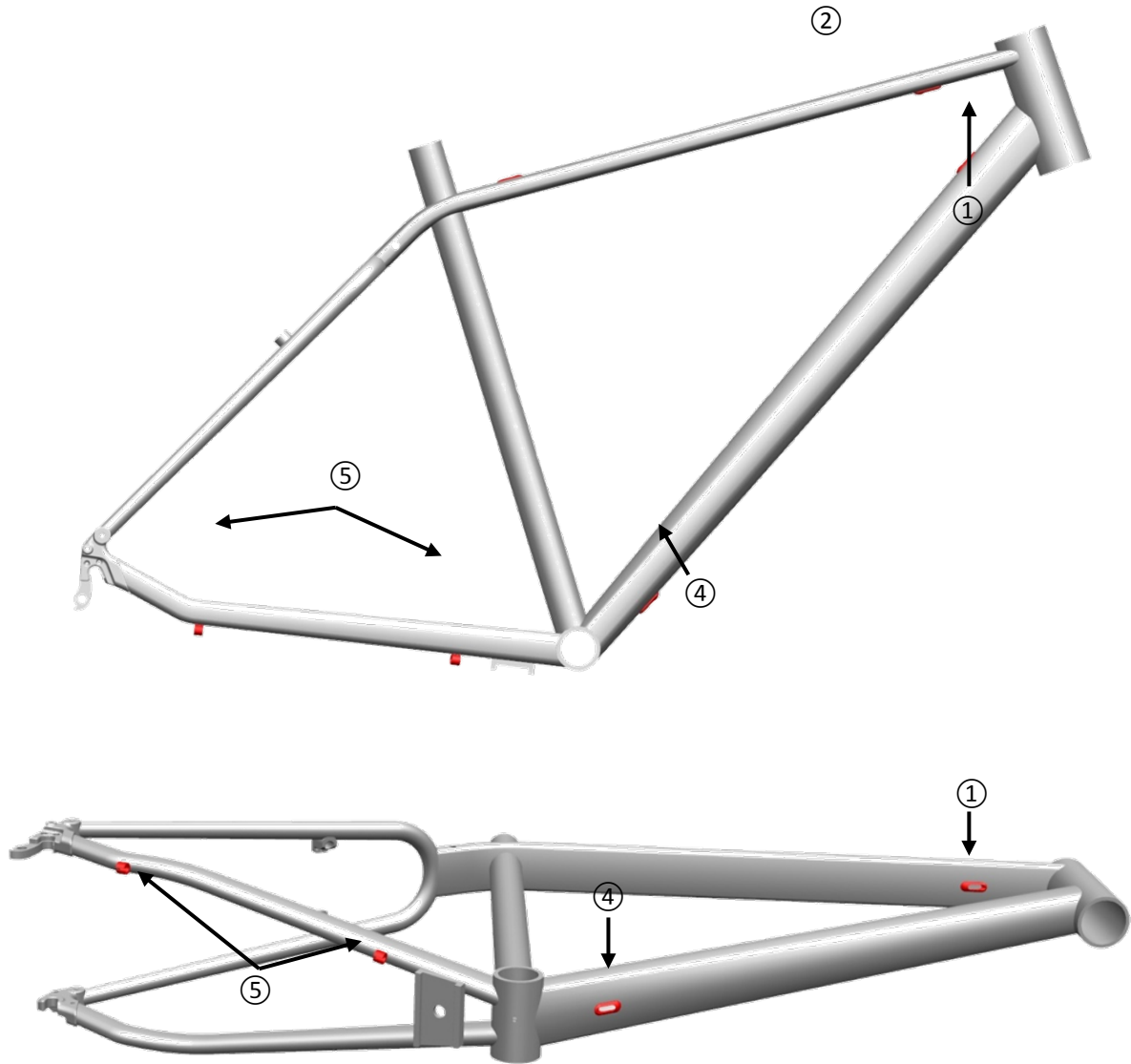
Cable routing path

| Cable | Path | Note |
|-------|------------------|--|
| FD | ① → ② → BB guide | Route through BB guide after the cable thread out ②. |
| RD | ① → ② → ④ | |
| RB | ③ → ⑤ → ⑥ | |

Accessories for Internal cable routing

| # | Part # | Description | Note |
|-----|-------------|-------------|---------------------------------|
| ④ ⑨ | 164-WG26-01 | BB guide | Type: WG26 (GTM:164-3WG26001-4) |

2.13.2 Escape V-brake



Cable routing path

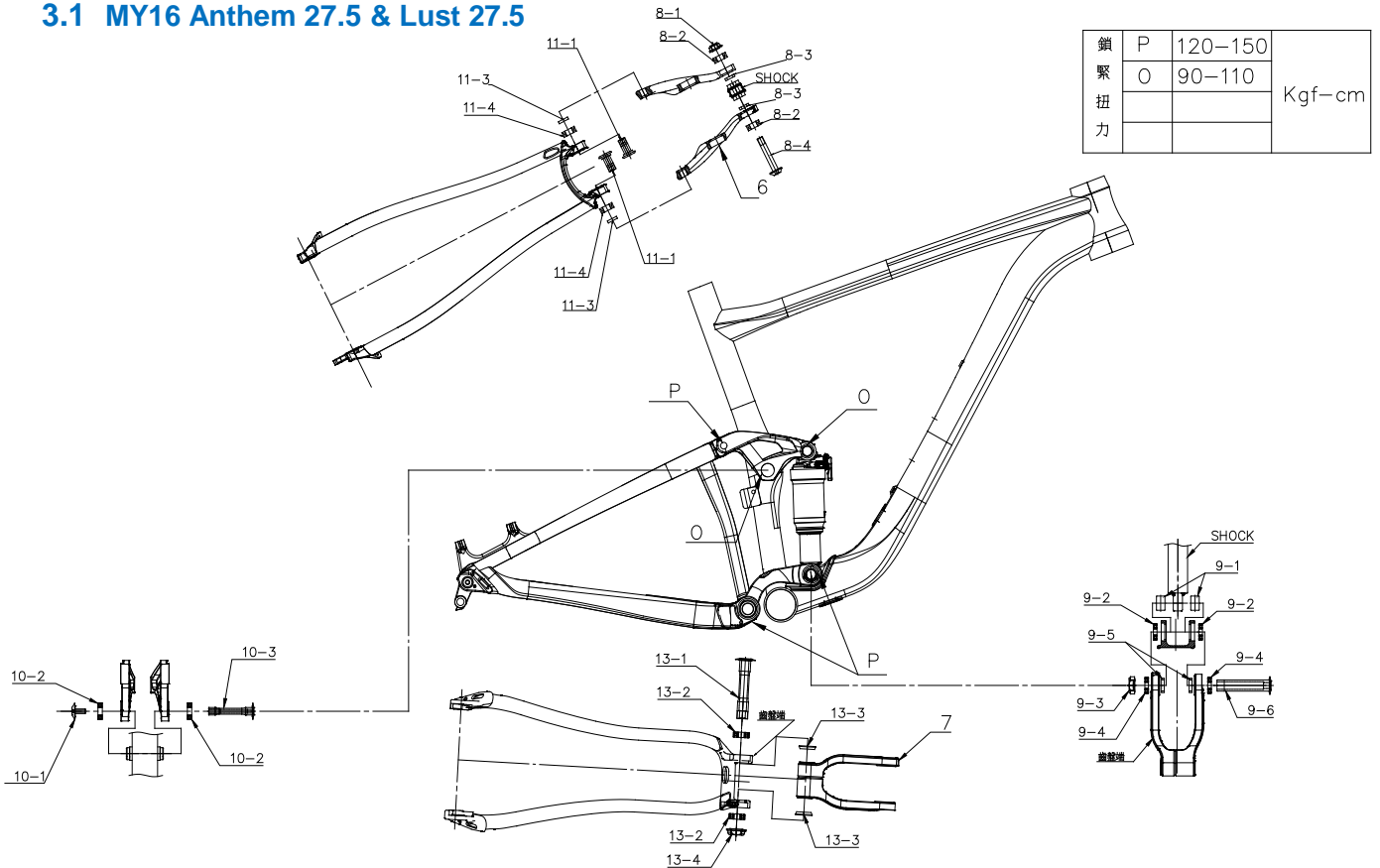
| Cable | Path | Note |
|-------|--------------|--|
| FD | ①→④→BB guide | Route from the bottom of BB to ⑧ after the cable thread out ④. |
| RD | ①→④→⑤ | |
| RB | ②→③ | |

Accessories for Internal cable routing

| # | Part # | Description | Note |
|----|-------------|-------------|---------------------------------|
| ④⑨ | 164-WG26-01 | BB guide | Type: WG26 (GTM:164-3WG26001-4) |

3. Rear Frame Linkages Parts BOM

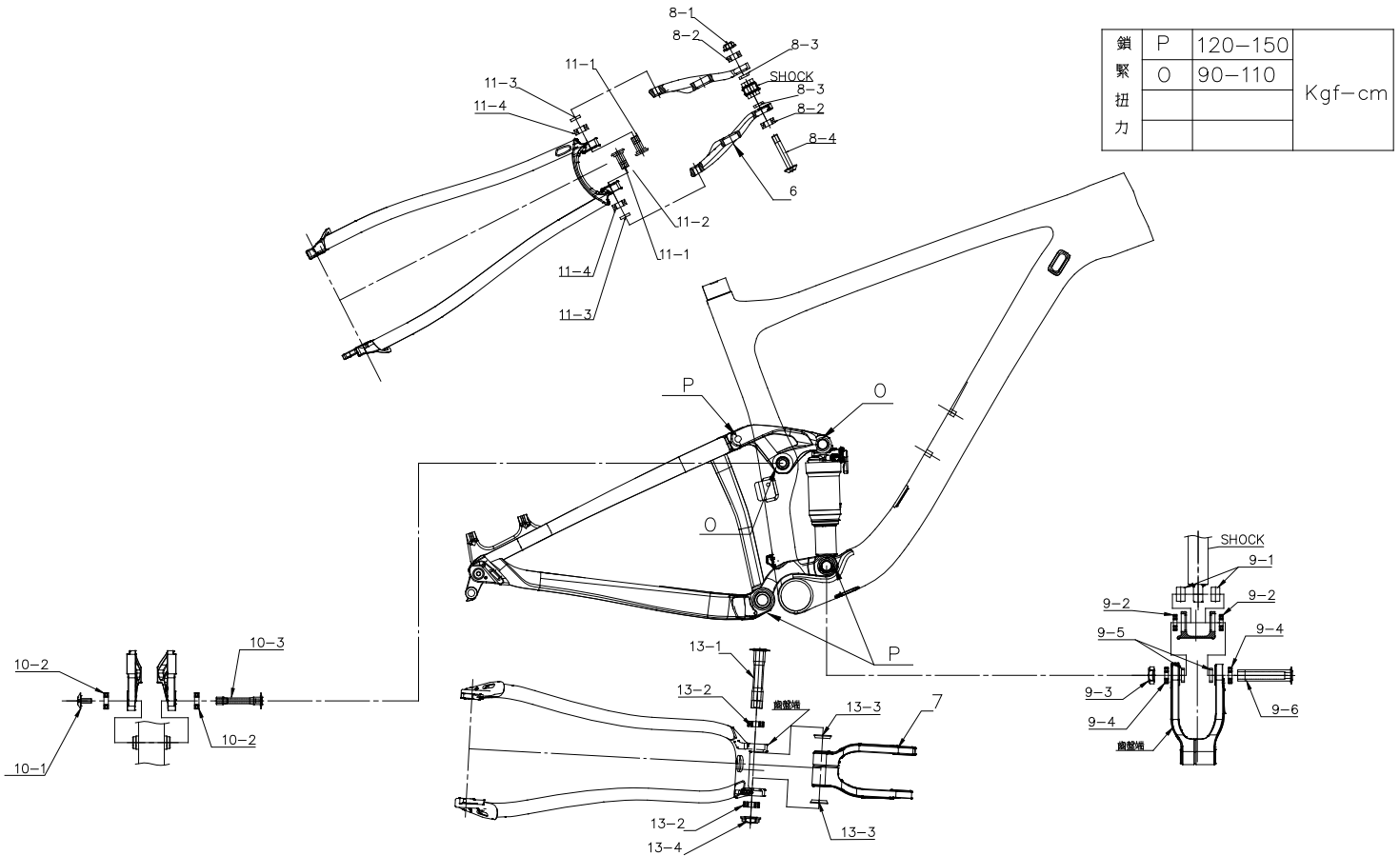
3.1 MY16 Anthem 27.5 & Lust 27.5



| Part | Ref. | Anthem 27.5 1 | Anthem 27.5 2/FR | Anthem 27.5 3 | Anthem SX27.5 1 | Anthem SX27.5 2 |
|------------------------|-----------|----------------|------------------|----------------|-----------------|-----------------|
| Rock arm set | 6 | 1280GS804V02J5 | 1280GS804V02E8 | 1280GS804V02H2 | 1280GS804V02G4 | 1280GS804V02F6 |
| Rock Arm bolts kit | 8+10+11 | 1280GS804V06B2 | 1280GS804V06A4 | 1280GS804V06B2 | 1280GS804V06B2 | 1280GS804V06B2 |
| Rock arm kit | 6+8+10+11 | 1280GS804V04M4 | 1280GS804V04H7 | 1280GS804V04L6 | 1280GS804V04K8 | 1280GS804V04J1 |
| Lower linkage unit | 7 | 1280GS804V01G7 | 1280GS804V01E0 | 1280GS804V01F9 | 1280GS804T01A7 | 1280GS804T01A7 |
| Lower linkagebolts kit | 9+13 | 1280GS804V07A1 | 1280GS804T07A0 | 1280GS804V07A1 | 1280GS804V07A1 | 1280GS804V07A1 |
| Lower linkage kit | 7+9+13 | 1280GS804V05L3 | 1280GS804V05H4 | 1280GS804V05K5 | 1280GS804V05J7 | 1280GS804V05J7 |
| Rear shock bolts kit | 8+9 | 1280GS804V03A2 | 1280GS804T03A1 | 1280GS804V03A2 | 1280GS804V03A2 | 1280GS804V03A2 |
| Pivot bolt kit | 11+13 | 1280GS804V08B7 | 1280GS804V08A8 | 1280GS804V08B7 | 1280GS804V08B7 | 1280GS804V08B7 |

| Part | Ref. | Lust 27.5 1 | Lust 27.5 2 |
|-------------------------|-----------|----------------|----------------|
| Rock arm set | 6 | 1280GS804W02E3 | 1280GS804W02D5 |
| Rock Arm bolts kit | 8+10+11 | 1280GS804V06A4 | 1280GS804V06A4 |
| Rock arm kit | 6+8+10+11 | 1280GS804W04G4 | 1280GS804W04F6 |
| Lower linkage unit | 7 | 1280GS804W01E6 | 1280GS804W01D8 |
| Lower linkage bolts kit | 9+13 | 1280GS804T07A0 | 1280GS804T07A0 |
| Lower linkage kit | 7+9+13 | 1280GS804W05E5 | 1280GS804W05D7 |
| Rear shock bolts kit | 8+9 | 1280GS804T03A1 | 1280GS804T03A1 |
| Pivot bolt kit | 11+13 | 1280GS804V08A8 | 1280GS804V08A8 |

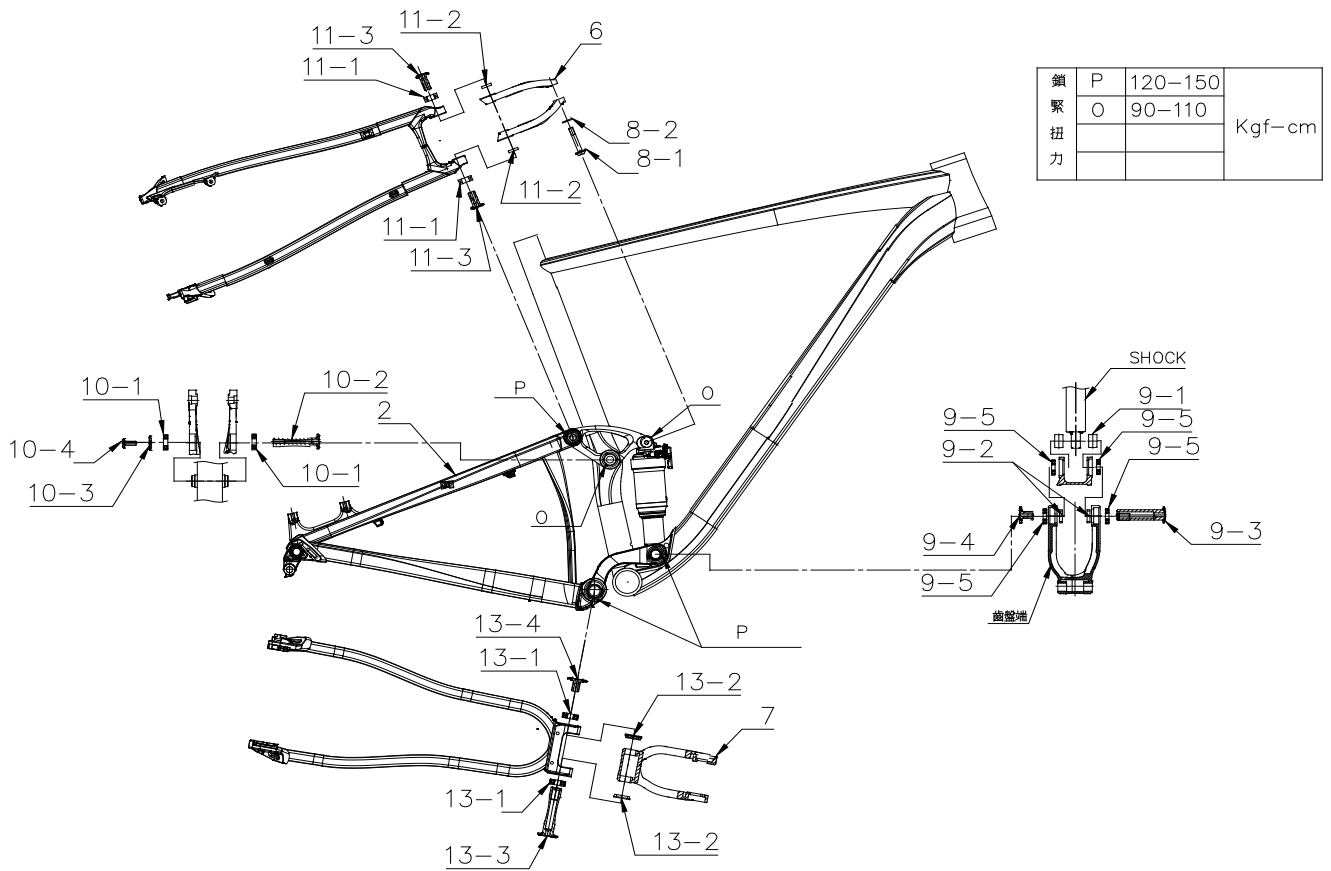
3.2 MY16 Anthem ADV27.5 & Lust ADV 27.5



| Part | Ref. | Anthem AD 27.5 0 | Anthem AD 27.5 1 | Anthem AD 27.5 2 | Anthem ADSX27.5 |
|-------------------------|-----------|------------------|------------------|------------------|-----------------|
| Rock arm set | 6 | 1280GS801802F9 | 1280GS801802E0 | 1280GS801802H5 | 1280GS801802G7 |
| Rock Arm bolts kit | 8+10+11 | 1280GS801806B5 | 1280GS801806B5 | 1280GS801806A0 | 1280GS801806B5 |
| Rock arm kit | 6+8+10+11 | 1280GS801804F3 | 1280GS801804E5 | 1280GS801804H1 | 1280GS801804G1 |
| Lower linkage unit | 7 | 1280GS804T01A7 | 1280GS801801E3 | 1280GS801801C2 | 1280GS801801F1 |
| Lower linkage bolts kit | 9+13 | 1280GS804V07A1 | 1280GS804V07A1 | 1280GS804T07A0 | 1280GS804V07A1 |
| Lower linkage kit | 7+9+13 | 1280GS804V05J7 | 1280GS801805E2 | 1280GS801805C2 | 1280GS801805F0 |
| Rear shock bolts kit | 8+9 | 1280GS804V03A2 | 1280GS804V03A2 | 1280GS804T03A1 | 1280GS804V03A2 |
| Pivot bolt kit | 11+13 | 1280GS804V08B7 | 1280GS804V08B7 | 1280GS804V08A8 | 1280GS804V08B7 |

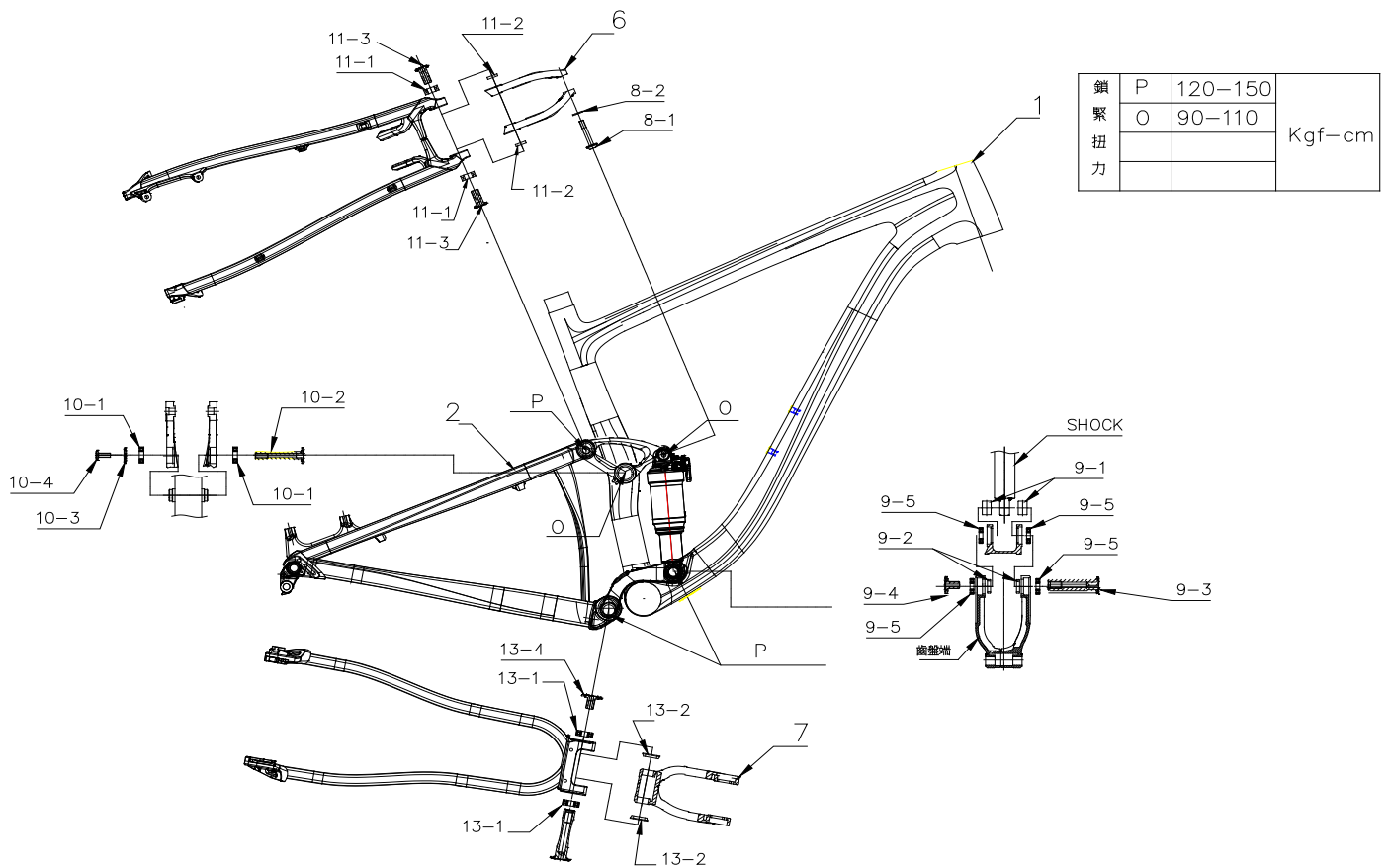
| Part | Ref. | Lust ADV 27.5 0 | Lust ADV 27.5 1 | Lust ADV 27.5 2 |
|-------------------------|-----------|-----------------|-----------------|-----------------|
| Rock arm set | 6 | 1280GS801902E6 | 1280GS801902G2 | 1280GS801902F4 |
| Rock Arm bolts kit | 8+10+11 | 1280GS801906A1 | 1280GS801806A0 | 1280GS801906B0 |
| Rock arm kit | 6+8+10+11 | 1280GS801904F9 | 1280GS801904H5 | 1280GS801904G7 |
| Lower linkage unit | 7 | 1280GS801901E9 | 1280GS801901G5 | 1280GS801901F7 |
| Lower linkage bolts kit | 9+13 | 1280GS801907A1 | 1280GS804T07A0 | 1280GS801907B8 |
| Lower linkage kit | 7+9+13 | 1280GS801905C1 | 1280GS801905E8 | 1280GS801905D1 |
| Rear shock bolts kit | 8+9 | 1280GS801903A1 | 1280GS804T03A1 | 1280GS801903B9 |
| Pivot bolt kit | 11+13 | 1280GS801908D4 | 1280GS804V08A8 | 1280GS801908E1 |

3.3 MY16 Anthem X 29er



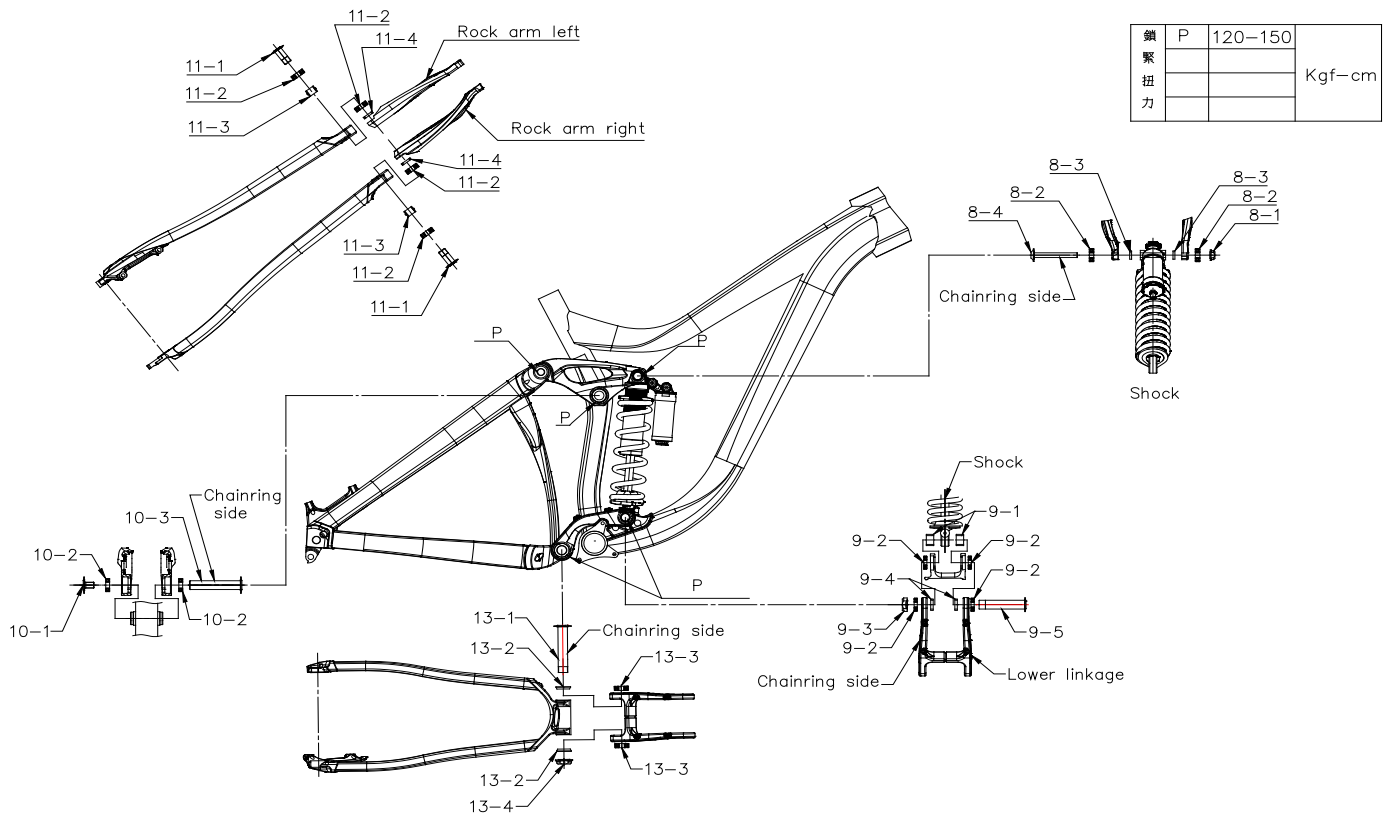
| Part | Ref. | MY16 Anthem X 29er |
|-------------------------|-----------|--------------------|
| Rock arm set | 6 | 1280GS804X01A9 |
| Rock Arm bolts kit | 8+10+11 | 1280GS804R45A4 |
| Rock arm kit | 6+8+10+11 | 1280GS804X04A0 |
| Lower linkage unit | 7 | 1280GS804X02A6 |
| Lower linkage bolts kit | 9+13 | 1280GS804R47A9 |
| Lower linkage kit | 7+9+13 | 1280GS804X05A8 |
| Rear shock bolts kit | 8+9 | 1280GS804R42A2 |
| Pivot bolt kit | 11+13 | 1280GS804R44A7 |

3.4 MY16 Anthem X ADV 29er



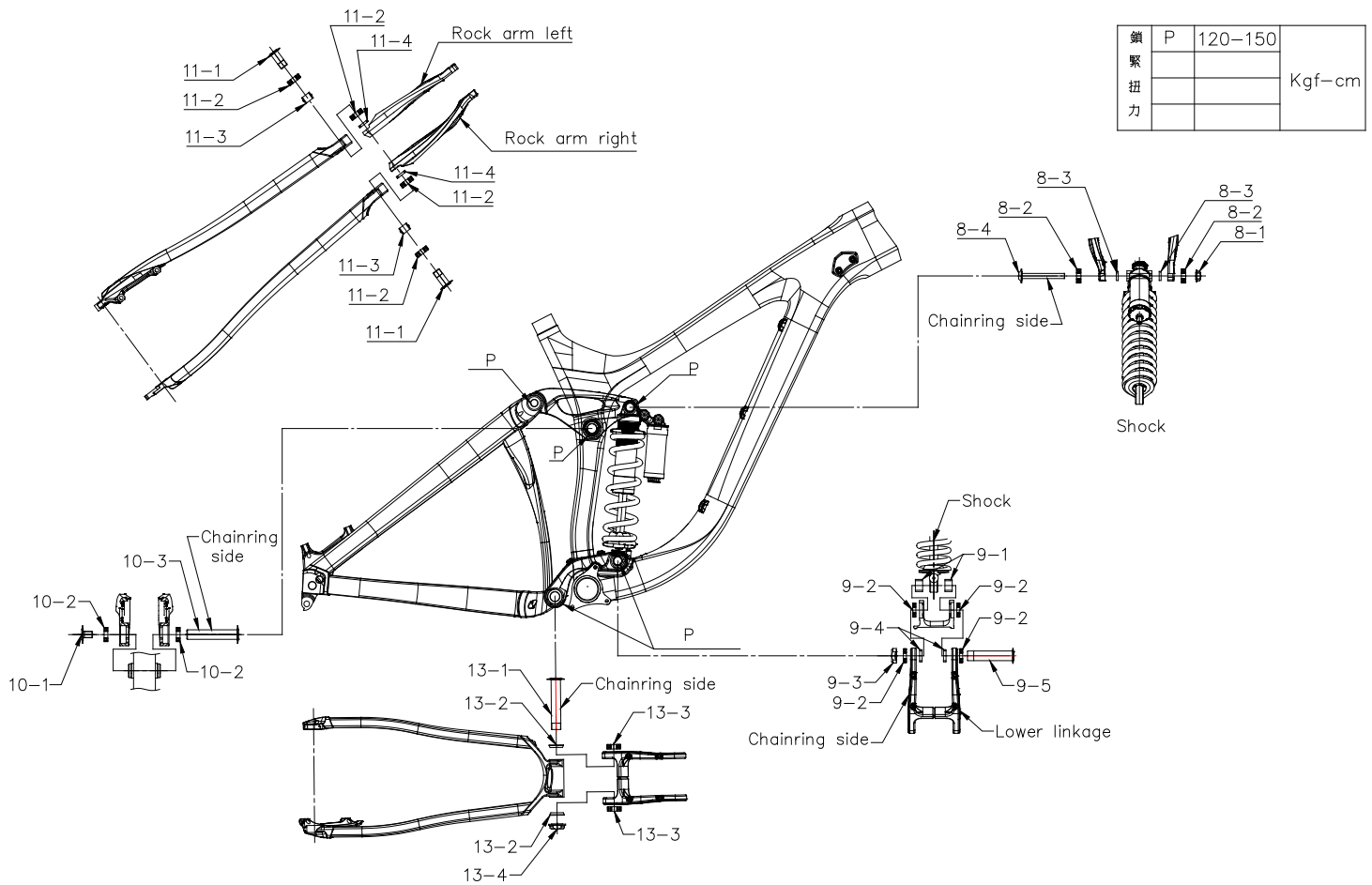
| Part | Ref. | MY16 Anthem X ADV 29er |
|-------------------------|-----------|------------------------|
| Rock arm set | 6 | 1280GS801A01A2 |
| Rock Arm bolts kit | 8+10+11 | 1280GS801A06A9 |
| Rock arm kit | 6+8+10+11 | 1280GS801A03A7 |
| Lower linkage unit | 7 | 1280GS801A02A1 |
| Lower linkage bolts kit | 9+13 | 1280GS801A07A6 |
| Lower linkage kit | 7+9+13 | 1280GS801A04A4 |
| Rear shock bolts kit | 8+9 | 1280GS801A05A1 |
| Pivot bolt kit | 11+13 | 1280GS801A08A3 |

3.5 MY16 Glory 27.5



| Part | Ref. | MY16 Glory 27.5 1 | MY16 Glory 27.5 2 |
|-------------------------|-----------|-------------------|-------------------|
| Rock arm set | 6 | 1280GS024601D1 | 1280GS024701E3 |
| Rock Arm bolts kit | 8+10+11 | 1280GS024705B8 | 1280GS024705B8 |
| Rock arm kit | 6+8+10+11 | 1280GS024702D2 | 1280GS024702E0 |
| Lower linkage unit | 7 | 1280GS024703B3 | 1280GS024703B3 |
| Lower linkage bolts kit | 9+13 | 1280GS024706B5 | 1280GS024706B5 |
| Lower linkage kit | 7+9+13 | 1280GS024704B0 | 1280GS024704B0 |
| Rear shock bolts kit | 8+9 | 1280GS024707B2 | 1280GS024707B2 |
| Pivot bolt kit | 11+13 | 1280GS024708B1 | 1280GS024708B1 |

3.6 MY16 Glory ADV 27.5

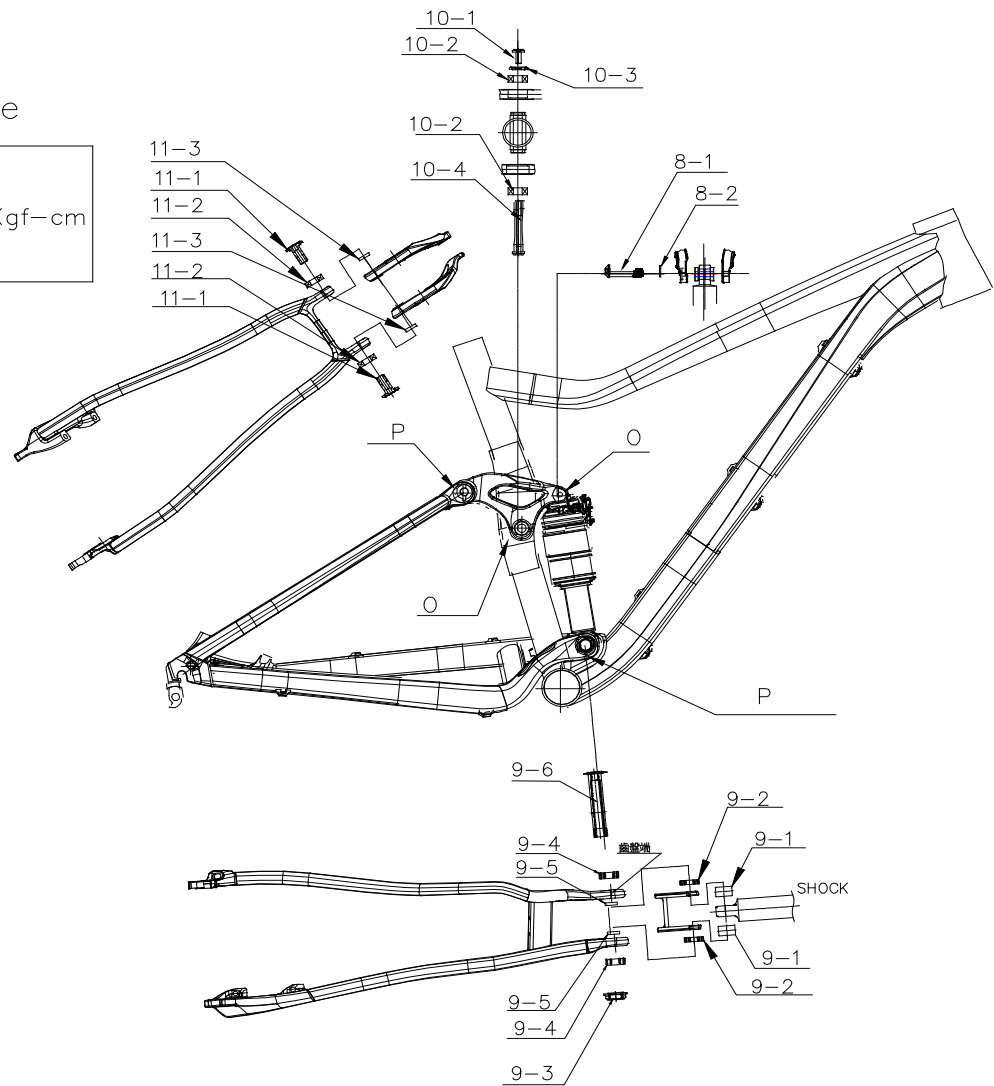


| Part | Ref. | MY16 Glory ADV 27.5 0 | MY16 Glory ADV 27.5 1 |
|-------------------------|-----------|-----------------------|-----------------------|
| Rock arm set | 6 | 1280GS021001C5 | 1280GS021001D3 |
| Rock Arm bolts kit | 8+10+11 | 1280GS024705B8 | 1280GS024705B8 |
| Rock arm kit | 6+8+10+11 | 1280GS021002C2 | 1280GS021002D0 |
| Lower linkage unit | 7 | 1280GS024703B3 | 1280GS024703B3 |
| Lower linkage bolts kit | 9+13 | 1280GS024706B5 | 1280GS024706B5 |
| Lower linkage kit | 7+9+13 | 1280GS024704B0 | 1280GS024704B0 |
| Rear shock bolts kit | 8+9 | 1280GS024707B2 | 1280GS024707B2 |
| Pivot bolt kit | 11+13 | 1280GS024708B1 | 1280GS024708B1 |

3.7 MY16 Stance 27.5

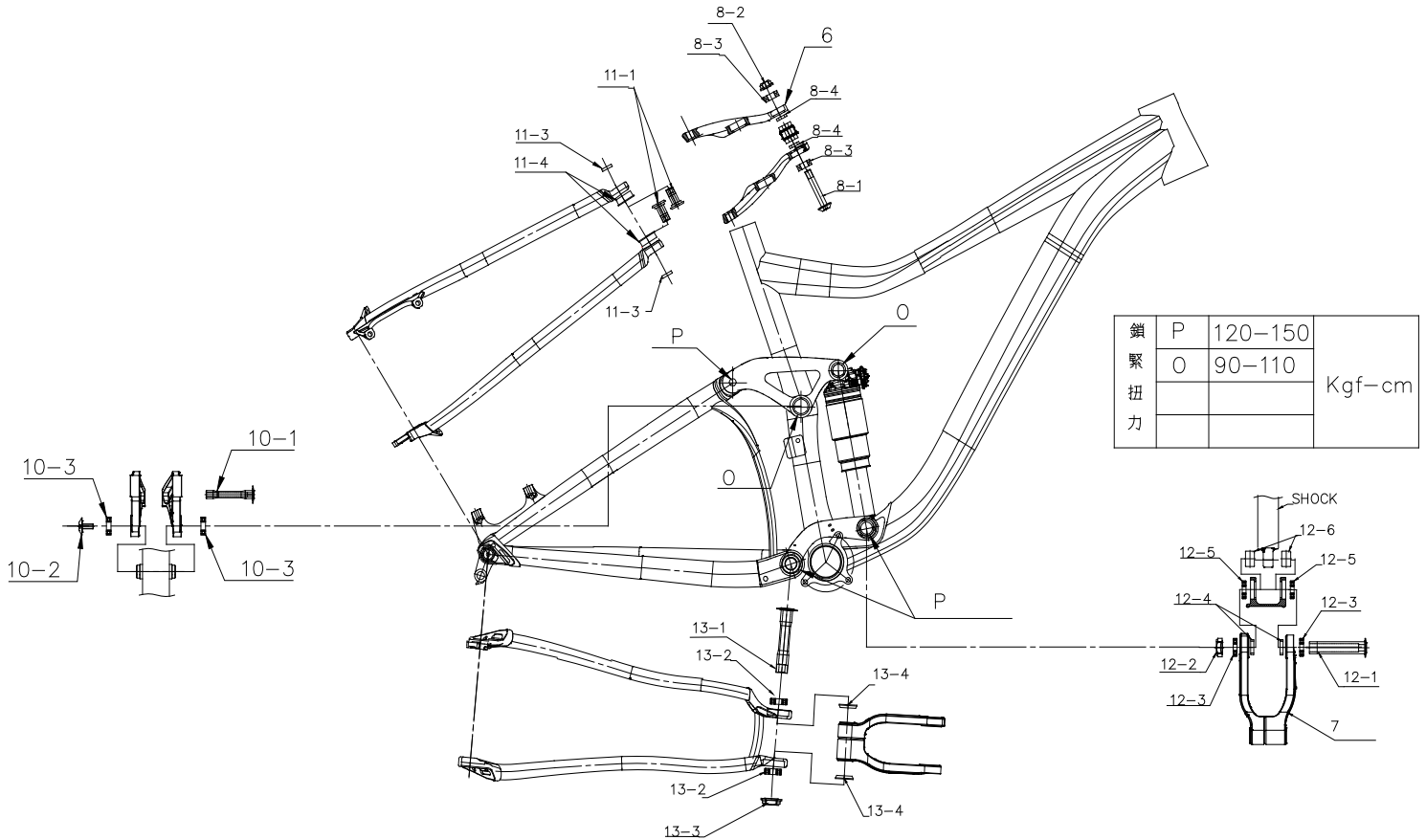
使用車種: Stance

| | | | |
|----------|---|---------|--------|
| 鎖緊 扭力 | P | 120-150 | Kgf-cm |
| | O | 90-110 | |
| | | | |



| Part | Ref. | MY16 Stance 27.5 1 | MY16 Stance 27.5 2 |
|----------------------|------------------|--------------------|--------------------|
| Rock arm set | | 1280GSB43002D1 | 1280GSB43002E1 |
| Rock Arm bolts kit | 8+10+11 | 1280GSB43004A1 | 1280GSB43004A1 |
| Rock arm kit | Rock arm+8+10+11 | 1280GSB43003D2 | 1280GSB43003E2 |
| Rear shock bolts kit | 8+9 | 1280GSB43001A8 | 1280GSB43001A8 |
| R.FRAME bolt kit | 9+11 | 1280GSB43005A7 | 1280GSB43005A7 |

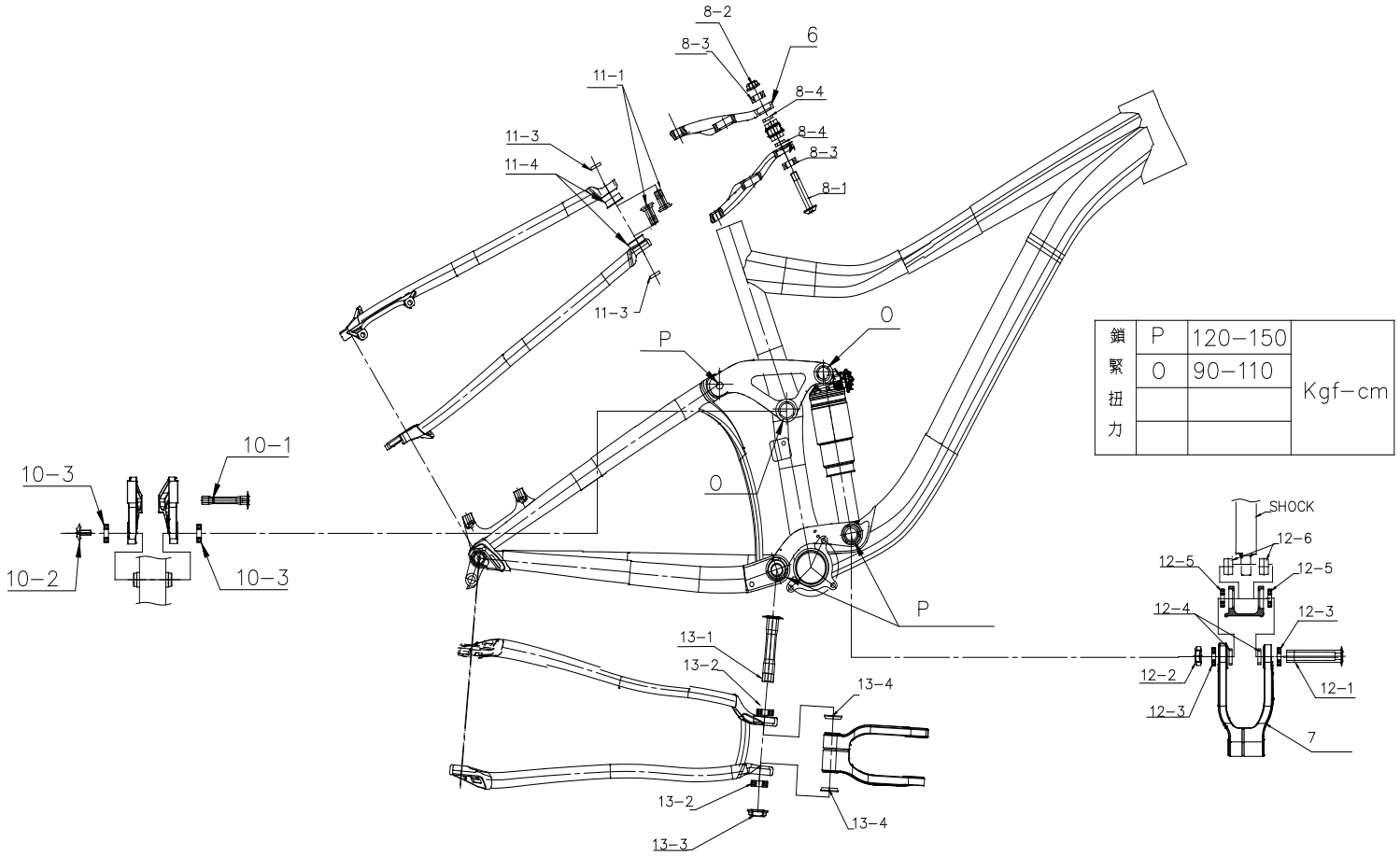
3.8 MY16 Trance 27.5 & Intrigue 27.5



| Part | Ref. | TRANCE 27.5 1 | TRANCE 27.5 2 | TRANCE 27.5 3 | TRANCE 27.5 4 | TRANCE SX 27.5 |
|-------------------------|-----------|----------------|----------------|----------------|----------------|----------------|
| Rock arm set | 6 | 1280GS834810A1 | 1280GS834810B1 | 1280GS834810C1 | 1280GS834810D1 | 1280GS834810E1 |
| Rock Arm bolts kit | 8+10+11 | 1280GS834603A1 | 1280GS834603C1 | 1280GS834603A1 | 1280GS834603C1 | 1280GS834603C1 |
| Rock arm kit | 6+8+10+11 | 1280GS834811A1 | 1280GS834811B1 | 1280GS834811C1 | 1280GS834811D1 | 1280GS834811E1 |
| Lower linkage unit | 7 | 1280GS834812A1 | 1280GS834812B1 | 1280GS834812C1 | 1280GS834812D1 | 1280GS834812E1 |
| Lower linkage bolts kit | 12+13 | 1280GS834606A1 | 1280GS834606C1 | 1280GS834606A1 | 1280GS834606C1 | 1280GS834606C1 |
| Lower linkage kit | 7+12+13 | 1280GS834813A1 | 1280GS834813B1 | 1280GS834813C1 | 1280GS834813D1 | 1280GS834813E1 |
| Rear shock bolts kit | 8+12 | 1280GS834607A1 | 1280GS834607C1 | 1280GS834607A1 | 1280GS834607C1 | 1280GS834607C1 |
| Pivot bolt kit | 11+13 | 1280GS834808A1 | 1280GS834808C1 | 1280GS834808A1 | 1280GS834808C1 | 1280GS834808C1 |

| Part | Ref. | Intrigue 27.5 1 | Intrigue 27.5 2 | Intrigue SX |
|-------------------------|-----------|-----------------|-----------------|----------------|
| Rock arm set | 6 | 1280GS834901C1 | 1280GS834901D1 | 1280GS834901E1 |
| Rock Arm bolts kit | 8+10+11 | 1280GS834903A1 | 1280GS834903B1 | 1280GS834903C1 |
| Rock arm kit | 6+8+10+11 | 1280GS834902C1 | 1280GS834902D1 | 1280GS834902E1 |
| Lower linkage unit | 7 | 1280GS834904C1 | 1280GS834904D1 | 1280GS834904E1 |
| Lower linkage bolts kit | 12+13 | 1280GS834906A1 | 1280GS834906B1 | 1280GS834906C1 |
| Lower linkage kit | 7+12+13 | 1280GS834905C1 | 1280GS834905D1 | 1280GS834905E1 |
| Rear shock bolts kit | 8+12 | 1280GS834907A1 | 1280GS834907B1 | 1280GS834907C1 |
| Pivot bolt kit | 11+13 | 1280GS834908B1 | 1280GS834908C1 | 1280GS834908D1 |

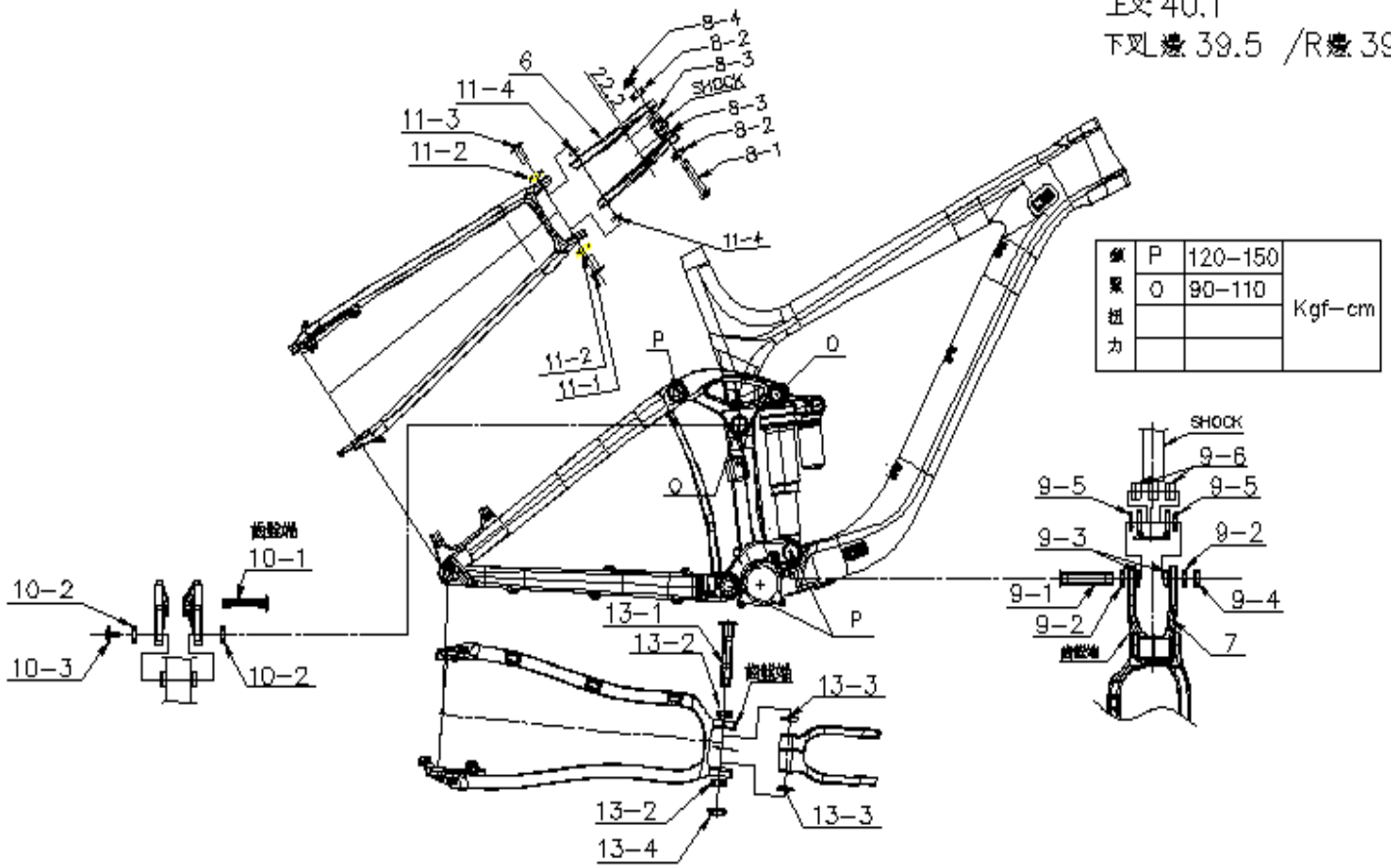
3.9 MY16 Trance ADV 27.5



| Part | Ref. | TRANCE AD 27.5 0 | TRANCE AD 27.5 1 | TRANCE AD 27.5 2 |
|-------------------------|-----------|------------------|------------------|------------------|
| Rock arm set | 6 | 1280GS831101E1 | 1280GS831101F1 | 1280GS831101G1 |
| Rock Arm bolts kit | 8+10+11 | 1280GS831003A1 | 1280GS831003C1 | 1280GS831003A1 |
| Rock arm kit | 6+8+10+11 | 1280GS831102E1 | 1280GS831102F1 | 1280GS831102G1 |
| Lower linkage unit | 7 | 1280GS831104E1 | 1280GS831104F1 | 1280GS831104G1 |
| Lower linkage bolts kit | 12+13 | 1280GS834606A1 | 1280GS834606C1 | 1280GS834606A1 |
| Lower linkage kit | 7+12+13 | 1280GS831105E1 | 1280GS831105F1 | 1280GS831105G1 |
| Rear shock bolts kit | 8+12 | 1280GS834607A1 | 1280GS834607C1 | 1280GS834607A1 |
| Pivot bolt kit | 11+13 | 1280GS834808A1 | 1280GS834808C1 | 1280GS834808A1 |

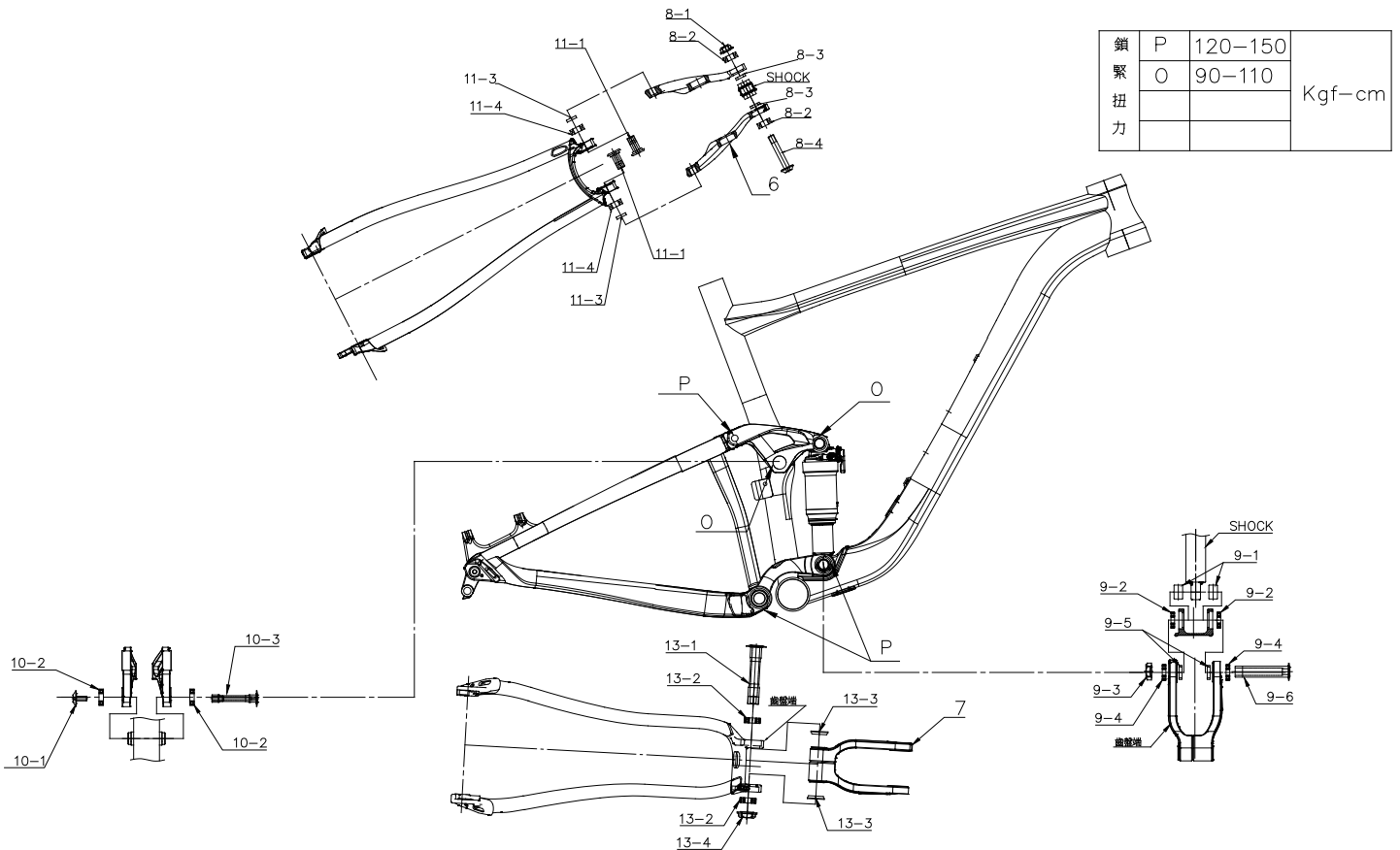
3.10 MY16 Reign ADV 27.5 & Reign 27.5

叉臂偏向量測行程 335
 上文 40.1
 下叉邊 39.5 /R邊 39.5



| Part | Ref. | REIGN 27.5 1 | REIGN 27.5 2 | Reign ADV27.5 0 | Reign ADV27.5 1 |
|-------------------------|-----------|----------------|----------------|-----------------|-----------------|
| Rock arm set | 6 | 1280GS034F01H1 | 1280GS034F01E1 | 1280GS034F01F1 | 1280GS034F01G1 |
| Rock arm kit | 6+8+10+11 | 1280GS034F02H1 | 1280GS034F02E1 | 1280GS034F02F1 | 1280GS034F02G1 |
| Rock Arm bolts kit | 8+10+11 | 1280GS034F03A1 | 1280GS034F03A1 | 1280GS034F03B1 | 1280GS034F03B1 |
| Lower linkage unit | 7 | 1280GS034F04D1 | 1280GS034F04E1 | 1280GS034F04F1 | 1280GS034F04G1 |
| Lower linkage kit | 7+9+13 | 1280GS034F05D1 | 1280GS034F05E1 | 1280GS034F05F1 | 1280GS034F05G1 |
| Lower linkage bolts kit | 9+13 | 1280GS034F06A1 | 1280GS034F06A1 | 1280GS034F06B1 | 1280GS034F06B1 |
| Rear shock bolts kit | 8+9 | 1280GS034F07A1 | 1280GS034F07A1 | 1280GS034F07B1 | 1280GS034F07B1 |
| Pivot bolt kit | 11+13 | 1280GS034F08A1 | 1280GS034F08A1 | 1280GS034F08B1 | 1280GS034F08B1 |

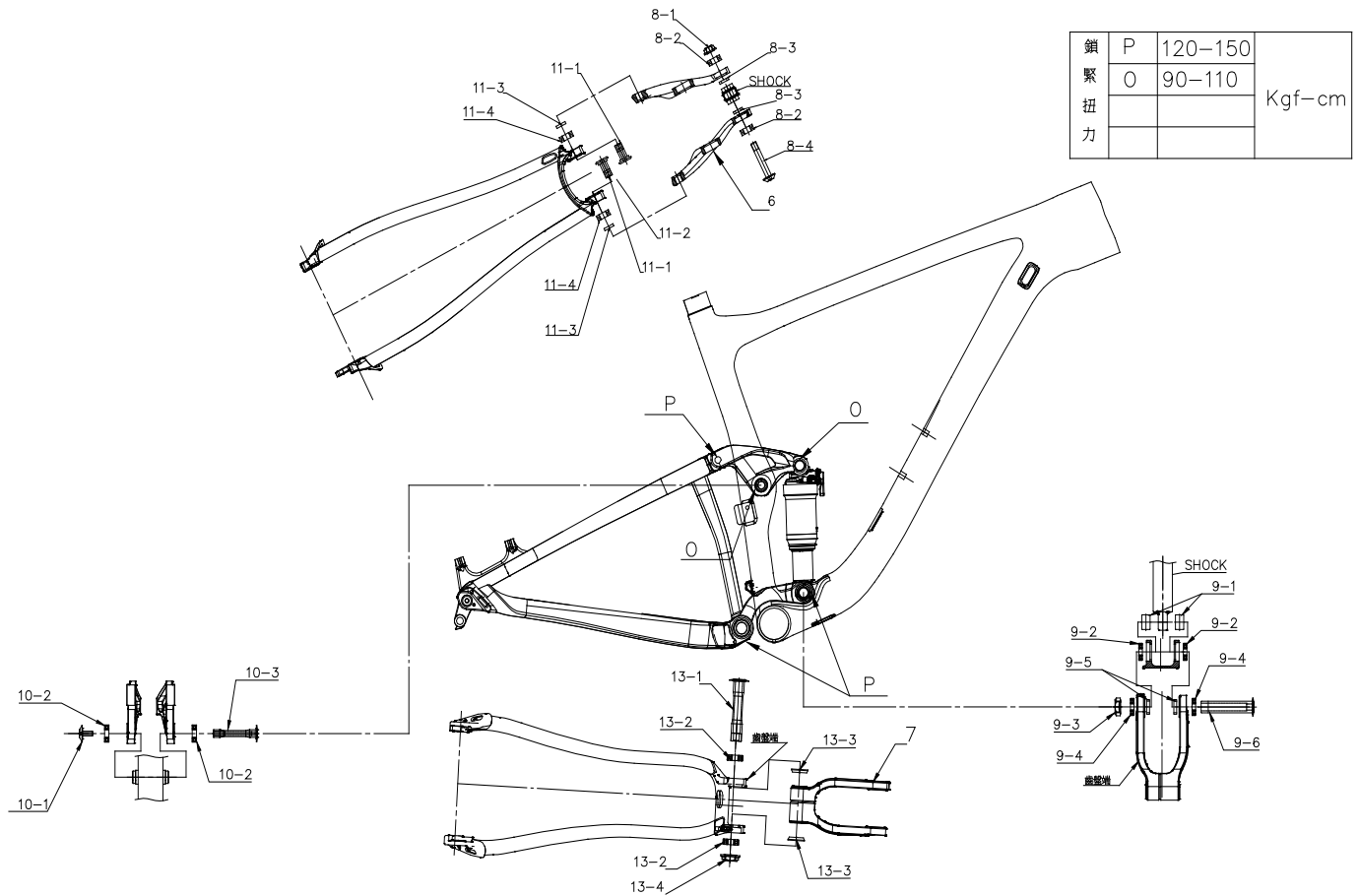
3.11 MY15 Anthem 27.5 & Lust 27.5



| Part | Ref. | Anthem 27.5 1 | Anthem 27.5 2 | Anthem 27.5 3 | Anthem SX27.5 |
|-------------------------|-----------|----------------|----------------|----------------|----------------|
| Rock arm set | 6 | 1280GS804V02A5 | 1280GS804V02D1 | 1280GS804V02B3 | 1280GS804V02C1 |
| Rock Arm bolts kit | 8+10+11 | 1280GS804V06A4 | 1280GS804V06A4 | 1280GS804V06A4 | 1280GS804V06A4 |
| Rock arm kit | 6+8+10+11 | 1280GS804V04D4 | 1280GS804V04G9 | 1280GS804V04E2 | 1280GS804V04F0 |
| Lower linkage unit | 7 | 1280GS804V01A8 | 1280GS804V01D2 | 1280GS804V01B6 | 1280GS804V01C4 |
| Lower linkage bolts kit | 9+13 | 1280GS804T07A0 | 1280GS804T07A0 | 1280GS804T07A0 | 1280GS804T07A0 |
| Lower linkage kit | 7+9+13 | 1280GS804V05A7 | 1280GS804V05G6 | 1280GS804V05B5 | 1280GS804V05C3 |
| Rear shock bolts kit | 8+9 | 1280GS804T03A1 | 1280GS804T03A1 | 1280GS804T03A1 | 1280GS804T03A1 |
| Pivot bolt kit | 11+13 | 1280GS804V08A8 | 1280GS804V08A8 | 1280GS804V08A8 | 1280GS804V08A8 |

| Part | Ref. | Lust 27.5 1 | Lust 27.5 2 | Lust 27.5 3 |
|-------------------------|-----------|----------------|----------------|----------------|
| Rock arm set | 6 | 1280GS804W02C7 | 1280GS804W02B9 | 1280GS804W02A0 |
| Rock Arm bolts kit | 8+10+11 | 1280GS804W06B1 | 1280GS804W06B1 | 1280GS804W06A0 |
| Rock arm kit | 6+8+10+11 | 1280GS804W04E8 | 1280GS804W04D0 | 1280GS804W04C0 |
| Lower linkage unit | 7 | 1280GS804W01C1 | 1280GS804W01B1 | 1280GS804W01A0 |
| Lower linkage bolts kit | 9+13 | 1280GS804W07B1 | 1280GS804W07B1 | 1280GS804W07A0 |
| Lower linkage kit | 7+9+13 | 1280GS804W05C9 | 1280GS804W05B1 | 1280GS804W05A0 |
| Rear shock bolts kit | 8+9 | 1280GS804W03B6 | 1280GS804W03B6 | 1280GS804W03A0 |
| Pivot bolt kit | 11+13 | 1280GS804W08B1 | 1280GS804W08B1 | 1280GS804W08A0 |

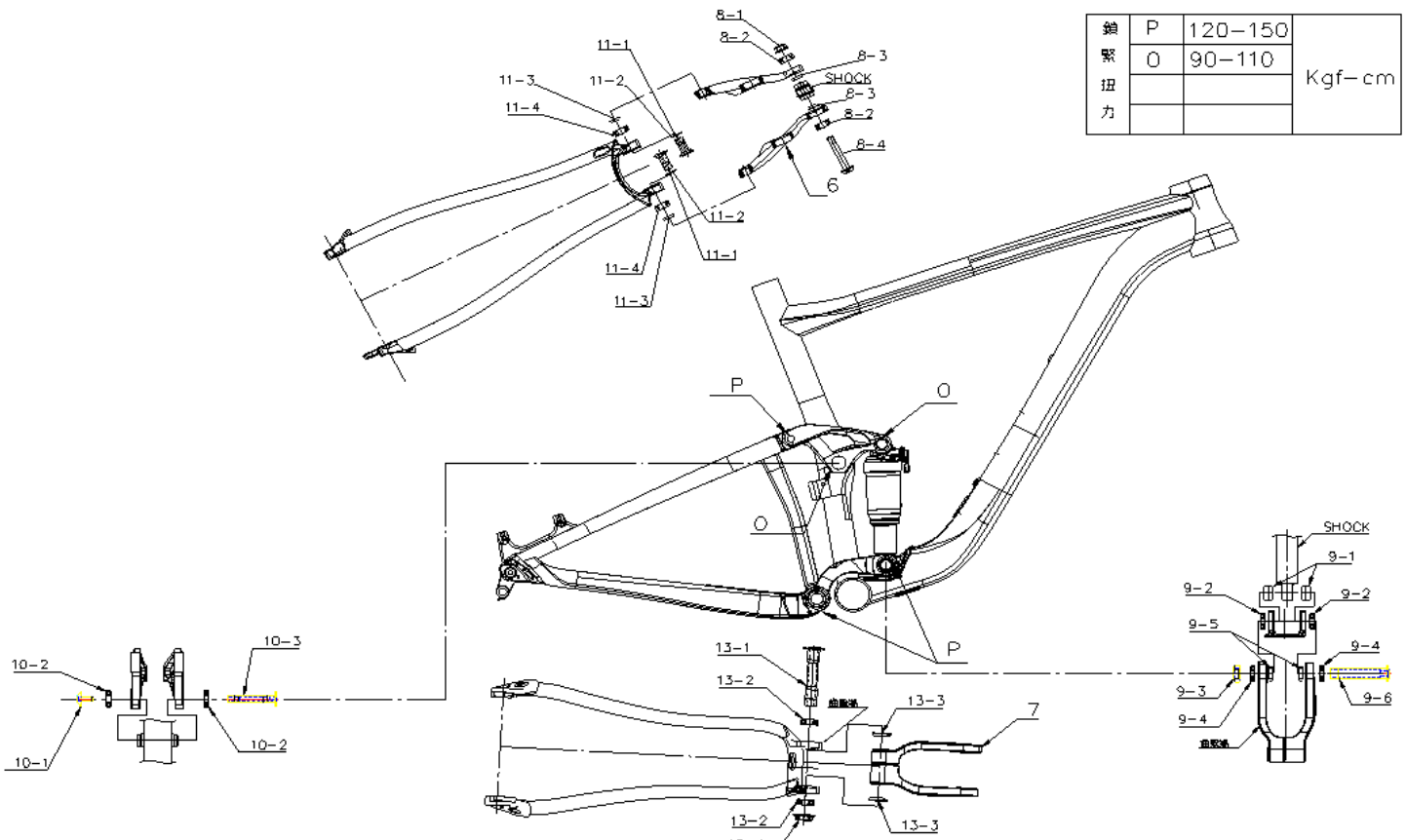
3.12 MY15 Anthem ADV 27.5 & Lust ADV 27.5



| Part | Ref. | Anthem AD 27.5 0 | Anthem AD 27.5 1 | Anthem AD 27.5 2 | Anthem ADSX27.5 |
|-------------------------|-----------|------------------|------------------|------------------|-----------------|
| Rock arm set | 6 | 1280GS801802B6 | 1280GS801802A0 | 1280GS801802C2 | 1280GS801802D6 |
| Rock Arm bolts kit | 8+10+11 | 1280GS801806A0 | 1280GS801806A0 | 1280GS801806A0 | 1280GS801806A0 |
| Rock arm kit | 6+8+10+11 | 1280GS801804B2 | 1280GS801804D7 | 1280GS801804C2 | 1280GS801804D6 |
| Lower linkage unit | 7 | 1280GS801801C2 | 1280GS801801A0 | 1280GS801801C2 | 1280GS801801D6 |
| Lower linkage bolts kit | 9+13 | 1280GS804T07A0 | 1280GS804T07A0 | 1280GS804T07A0 | 1280GS804T07A0 |
| Lower linkage kit | 7+9+13 | 1280GS801805C2 | 1280GS801805A0 | 1280GS801805C2 | 1280GS801805D6 |
| Rear shock bolts kit | 8+9 | 1280GS804T03A1 | 1280GS804T03A1 | 1280GS804T03A1 | 1280GS804T03A1 |
| Pivot bolt kit | 11+13 | 1280GS804V08A8 | 1280GS804V08A8 | 1280GS804V08A8 | 1280GS804V08A8 |

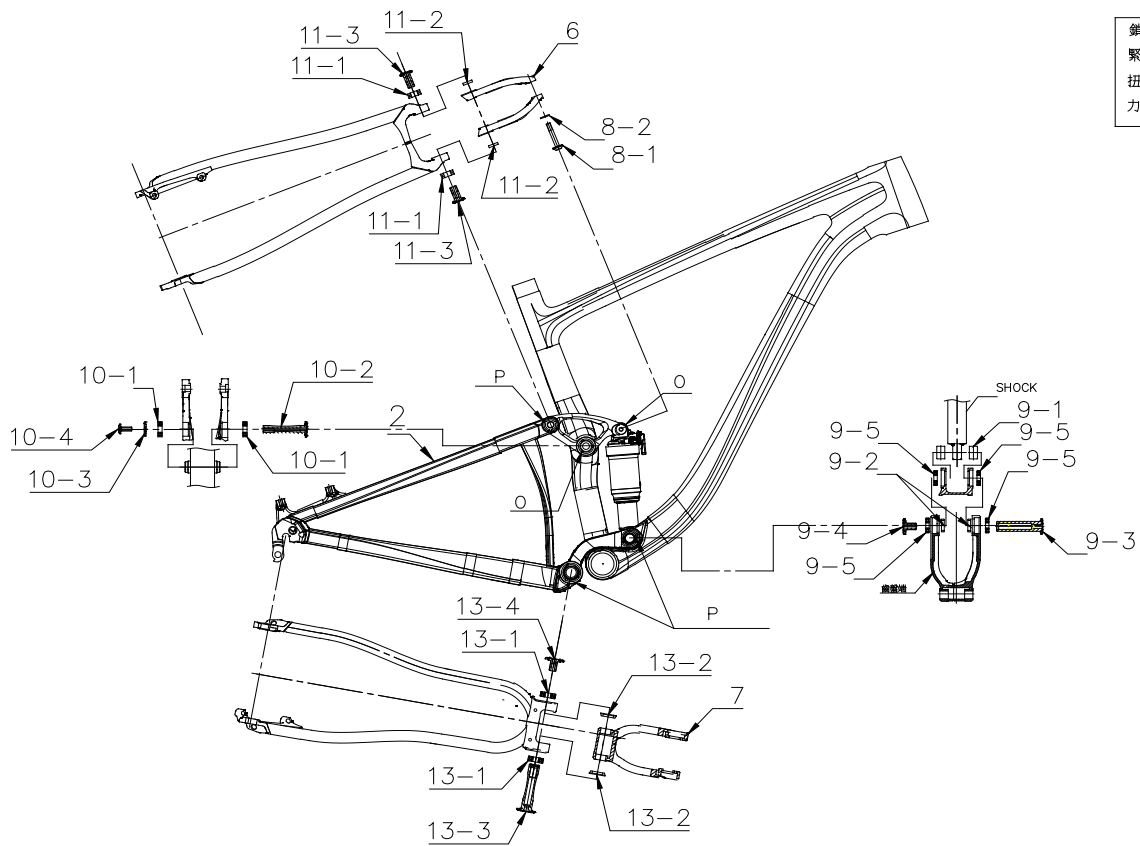
| Part | Ref. | Lust ADV 27.5 0 | Lust ADV 27.5 2 |
|-------------------------|-----------|-----------------|-----------------|
| Rock arm set | 6 | 1280GS801902D8 | 1280GS801902A1 |
| Rock Arm bolts kit | 8+10+11 | 1280GS801906A1 | 1280GS801906A1 |
| Rock arm kit | 6+8+10+11 | 1280GS801904F9 | 1280GS801904D4 |
| Lower linkage unit | 7 | 1280GS801901E9 | 1280GS801901A1 |
| Lower linkage bolts kit | 9+13 | 1280GS801907A1 | 1280GS801907A1 |
| Lower linkage kit | 7+9+13 | 1280GS801905C1 | 1280GS801905A1 |
| Rear shock bolts kit | 8+9 | 1280GS801903A1 | 1280GS801903A1 |
| Pivot bolt kit | 11+13 | 1280GS801908D4 | 1280GS801908D4 |

3.13 MY15 Anthem X 29 er



| Part | Ref. | MY15 Anthem X 29er |
|-------------------------|-----------|--------------------|
| Rock arm set | 6 | 1280GS804R40A8 |
| Rock Arm bolts kit | 8+10+11 | 1280GS804R45A4 |
| Rock arm kit | 6+8+10+11 | 1280GS804R43A1 |
| Lower linkage unit | 7 | 1280GS804R41A5 |
| Lower linkage bolts kit | 9+13 | 1280GS804R47A9 |
| Lower linkage kit | 7+9+13 | 1280GS804R46A1 |
| Rear shock bolts kit | 8+9 | 1280GS804R42A2 |
| Pivot bolt kit | 11+13 | 1280GS804R44A7 |

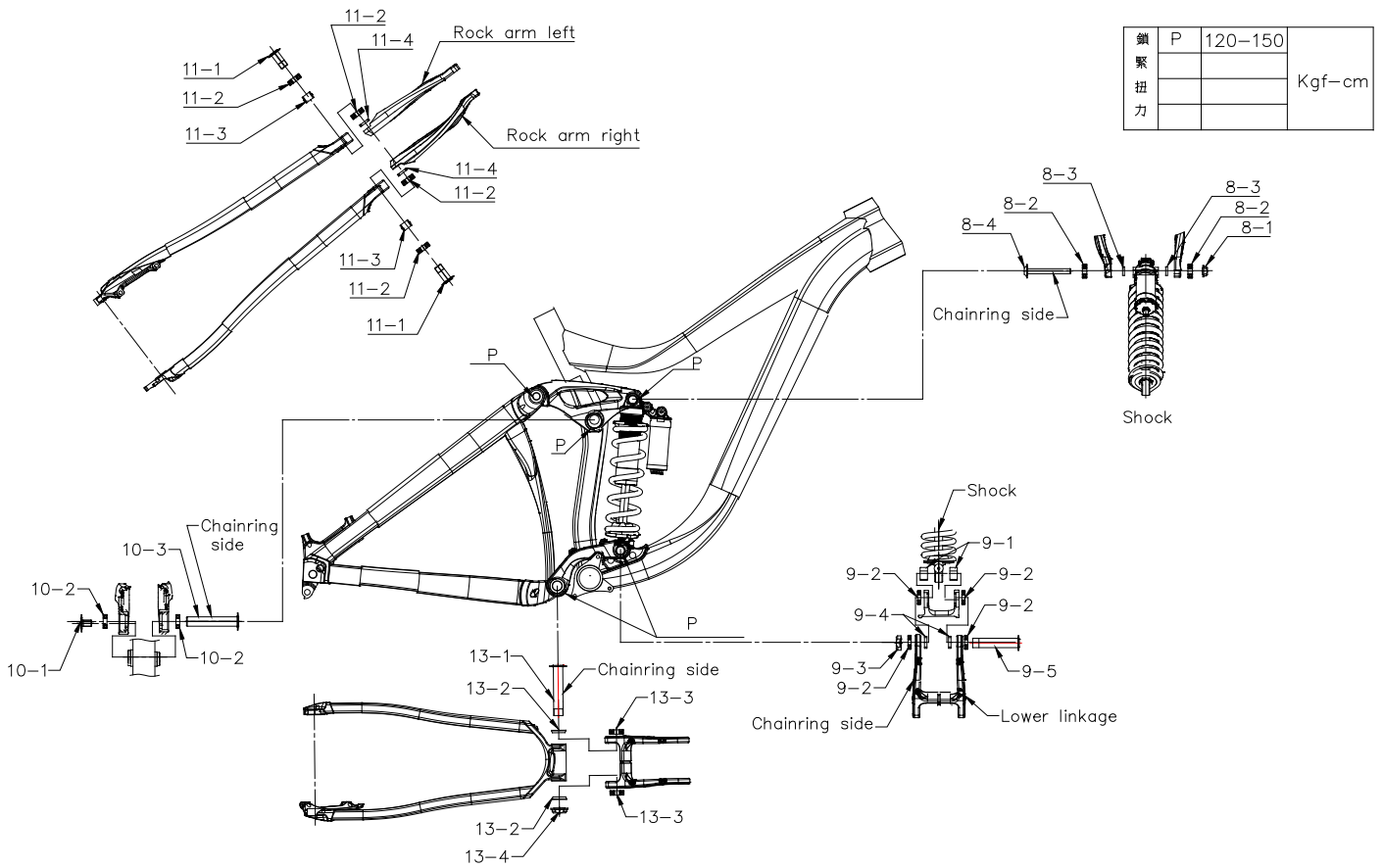
3.14 MY15 Anthem X ADV 29er



| | | | |
|------------------|---|---------|--------|
| 鎖 緊 扭 力 | P | 120-150 | Kgf-cm |
| | O | 90-110 | |
| | | | |

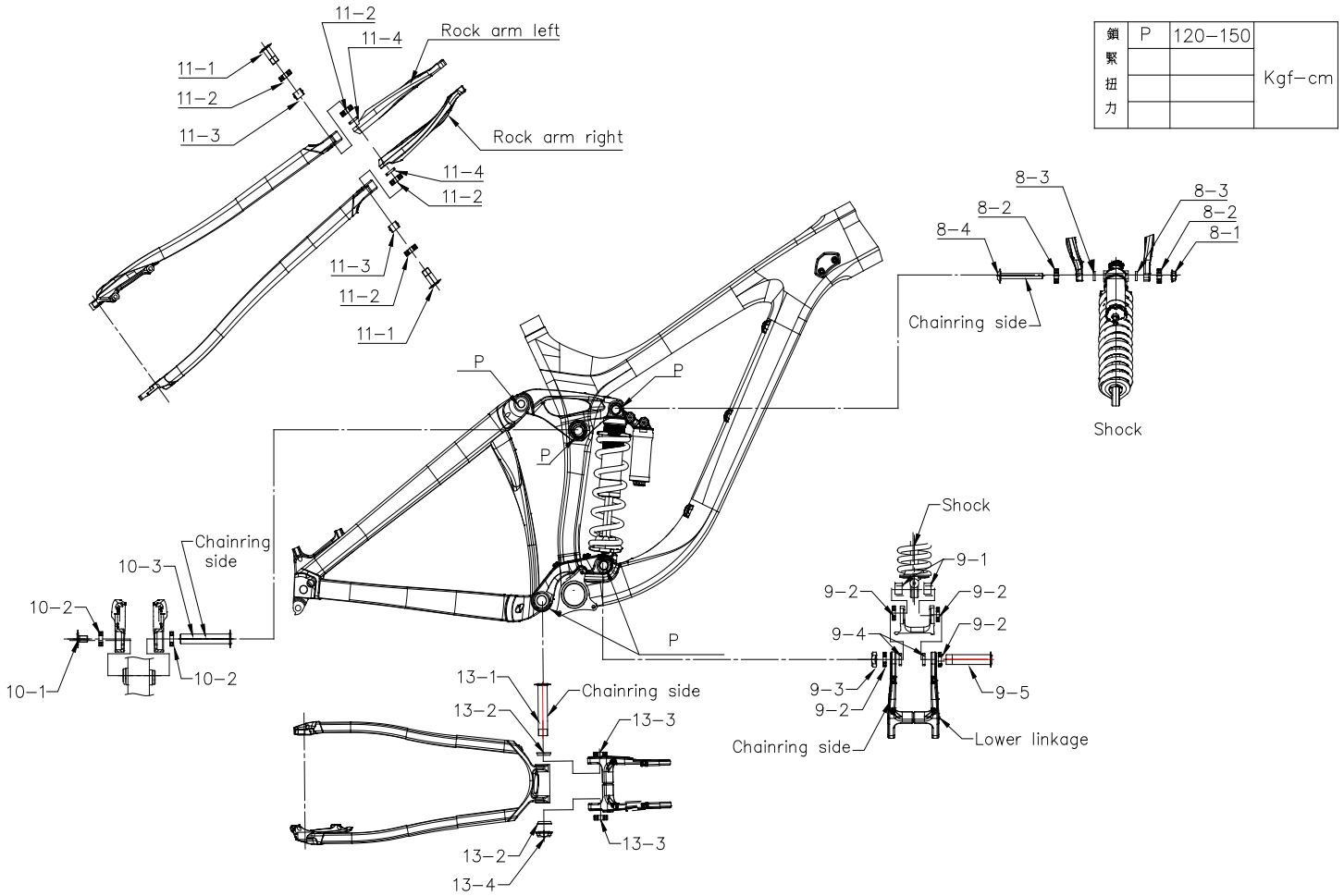
| Part | Ref. | MY15 Anthem X ADV 29er |
|-------------------------|-----------|------------------------|
| Rock arm set | 6 | 1280GS800209B1 |
| Rock Arm bolts kit | 8+10+11 | 1280GS800214A7 |
| Rock arm kit | 6+8+10+11 | 1280GS800211B8 |
| Lower linkage unit | 7 | 1280GS800210B0 |
| Lower linkage bolts kit | 9+13 | 1280GS800215A7 |
| Lower linkage kit | 7+9+13 | 1280GS800212B5 |
| Rear shock bolts kit | 8+9 | 1280GS800213A7 |
| Pivot bolt kit | 11+13 | 1280GS800216A7 |

3.15 MY15 Glory 27.5



| Part | Ref. | Glory 27.5 0 | Glory 27.5 1 | Glory 27.5 2 |
|--------------------------------|-----------|----------------|----------------|----------------|
| Rock arm set | 6 | 1280GS024701A0 | 1280GS024701B9 | 1280GS024701C7 |
| Rock Arm bolts kit | 8+10+11 | 1280GS024705A1 | 1280GS024705A1 | 1280GS024705A1 |
| Rock arm kit | 6+8+10+11 | 1280GS024702A8 | 1280GS024702B6 | 1280GS024702C4 |
| Lower linkage unit | 7 | 1280GS024703A5 | 1280GS024703A5 | 1280GS024703A5 |
| Lower linkage bolts kit | 9+13 | 1280GS024706A7 | 1280GS024706A7 | 1280GS024706A7 |
| Lower linkage kit | 7+9+13 | 1280GS024704A2 | 1280GS024704A2 | 1280GS024704A2 |
| Rear shock bolts kit | 8+9 | 1280GS024707A4 | 1280GS024707A4 | 1280GS024707A4 |
| Pivot bolt kit | 11+13 | 1280GS024708A1 | 1280GS024708A1 | 1280GS024708A1 |

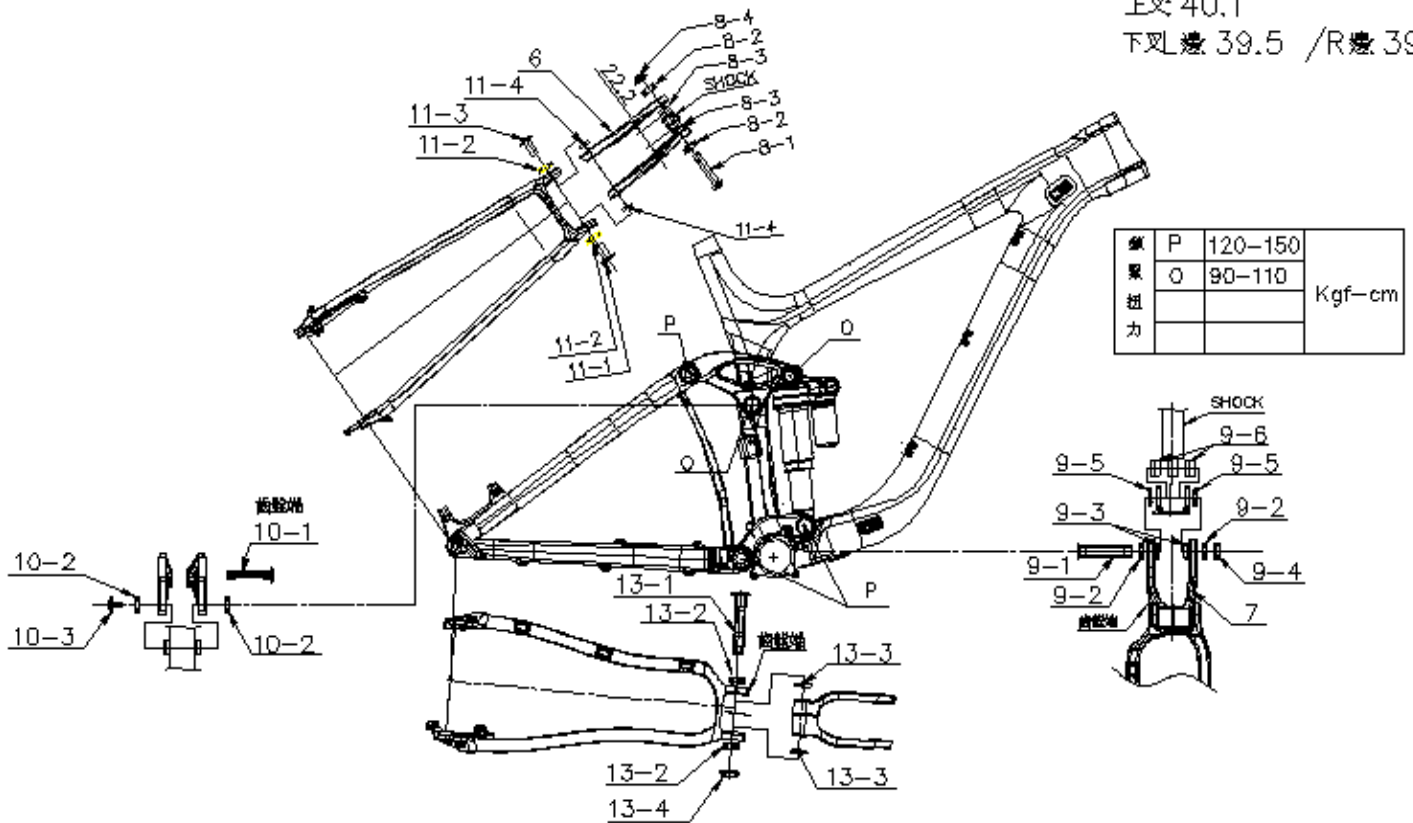
3.16 MY15 Glory ADV 27.5



| Part | Ref. | MY15 Glory ADV 27.5 0 | MY15 Glory ADV 27.5 1 |
|-------------------------|-----------|-----------------------|-----------------------|
| Rock arm set | 6 | 1280GS021001A9 | 1280GS021001B7 |
| Rock Arm bolts kit | 8+10+11 | 1280GS024705A1 | 1280GS024705A1 |
| Rock arm kit | 6+8+10+11 | 1280GS021002A6 | 1280GS021002B4 |
| Lower linkage unit | 7 | 1280GS024703A5 | 1280GS024703A5 |
| Lower linkage bolts kit | 9+13 | 1280GS024706A7 | 1280GS024706A7 |
| Lower linkage kit | 7+9+13 | 1280GS024704A2 | 1280GS024704A2 |
| Rear shock bolts kit | 8+9 | 1280GS024707A4 | 1280GS024707A4 |
| Pivot bolt kit | 11+13 | 1280GS024708A1 | 1280GS024708A1 |

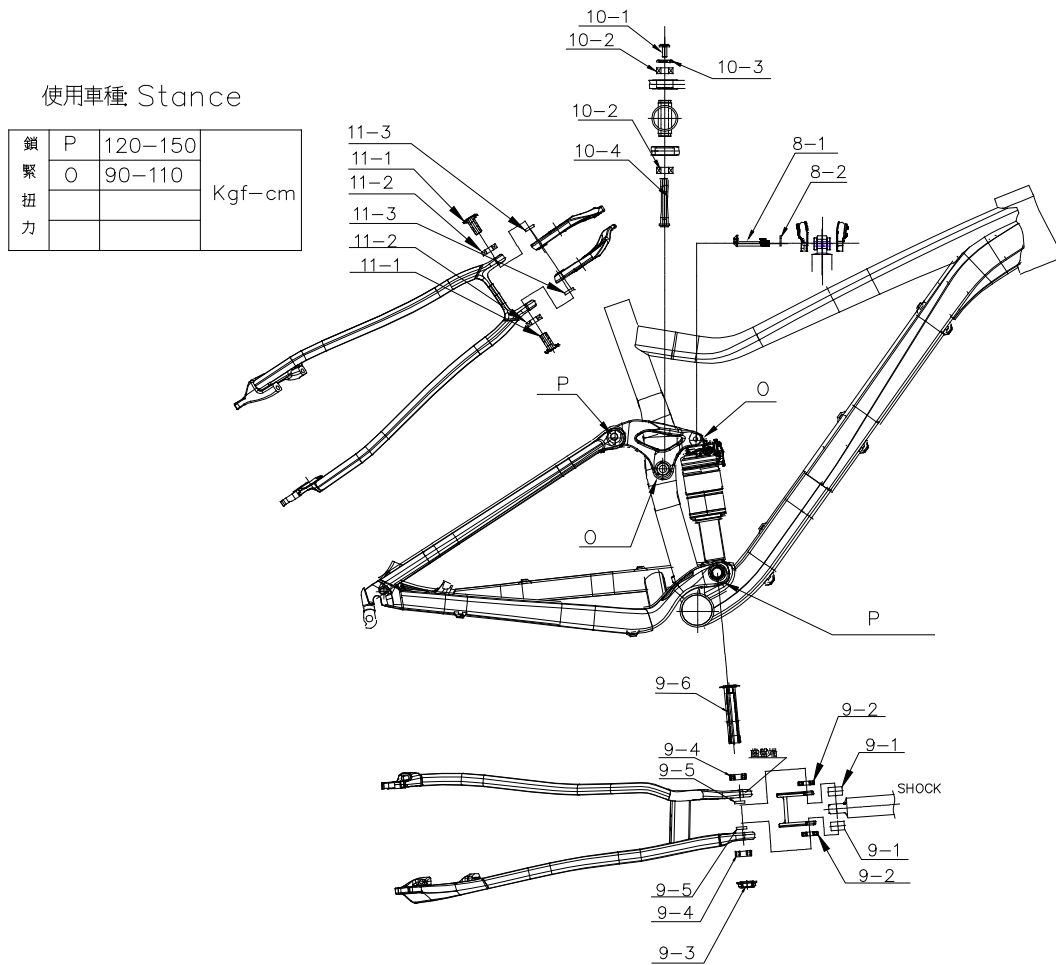
3.17 MY15 Reign 27.5

叉骨偏向量測行程 335
 上叉 40.1
 下叉 邊 39.5 / R邊 39.5



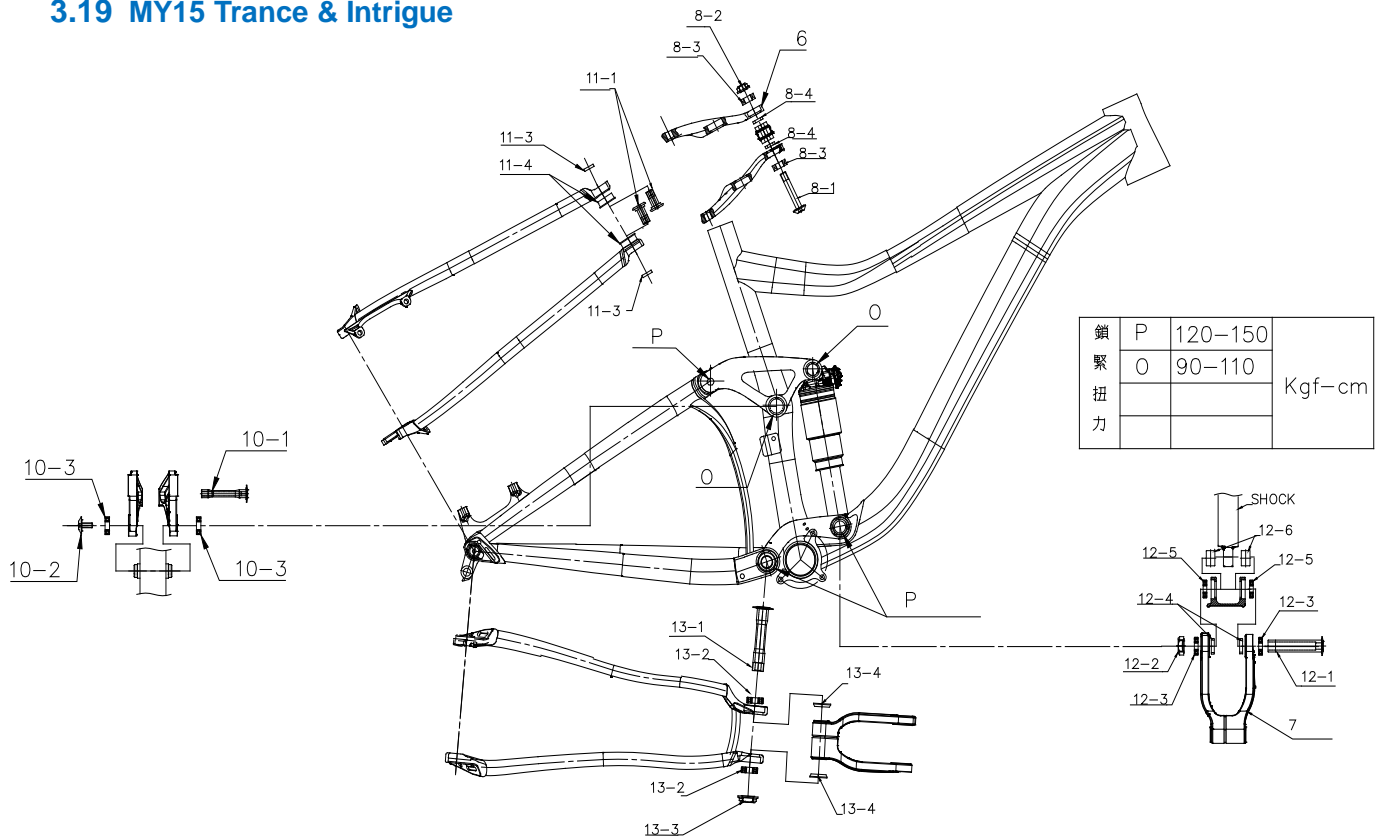
| Part | Ref. | REIGN 27.5 1 | REIGN 27.5 2 | Reign AD27.5 0T | Reign ADV27.5 1 |
|-------------------------|-----------|----------------|----------------|-----------------|-----------------|
| Rock arm set | 6 | 1280GS034F01A1 | 1280GS034F01B1 | 1280GS034F01D1 | 1280GS034F01C1 |
| Rock arm kit | 6+8+10+11 | 1280GS034F02A1 | 1280GS034F02B1 | 1280GS034F02D1 | 1280GS034F02C1 |
| Rock Arm bolts kit | 8+10+11 | 1280GS034F03A1 | 1280GS034F03A1 | 1280GS034F03A1 | 1280GS034F03A1 |
| Lower linkage unit | 7 | 1280GS034F04A1 | 1280GS034F04B1 | 1280GS034F04D1 | 1280GS034F04C1 |
| Lower linkage kit | 7+9+13 | 1280GS034F05A1 | 1280GS034F05B1 | 1280GS034F05D1 | 1280GS034F05C1 |
| Lower linkage bolts kit | 9+13 | 1280GS034F06A1 | 1280GS034F06A1 | 1280GS034F06A1 | 1280GS034F06A1 |
| Rear shock bolts kit | 8+9 | 1280GS034F07A1 | 1280GS034F07A1 | 1280GS034F07A1 | 1280GS034F07A1 |
| Pivot bolt kit | 11+13 | 1280GS034F08A1 | 1280GS034F08A1 | 1280GS034F08A1 | 1280GS034F08A1 |

3.18 MY15 Stance



| Part | Ref. | Stance 27.5 1 | Stance 27.5 2 | Stance 27.5 0 |
|----------------------|------------------|----------------|----------------|----------------|
| Rock arm set | | 1280GSB43002A5 | 1280GSB43002B5 | 1280GSB43002C5 |
| Rock Arm bolts kit | 8+10+11 | 1280GSB43004A1 | 1280GSB43004A1 | 1280GSB43004A1 |
| Rock arm kit | Rock arm+8+10+11 | 1280GSB43003A2 | 1280GSB43003B2 | 1280GSB43003C2 |
| Rear shock bolts kit | 8+9 | 1280GSB43001A8 | 1280GSB43001A8 | 1280GSB43001A8 |
| R.FRAME bolt kit | 9+11 | 1280GSB43005A7 | 1280GSB43005A7 | 1280GSB43005A7 |

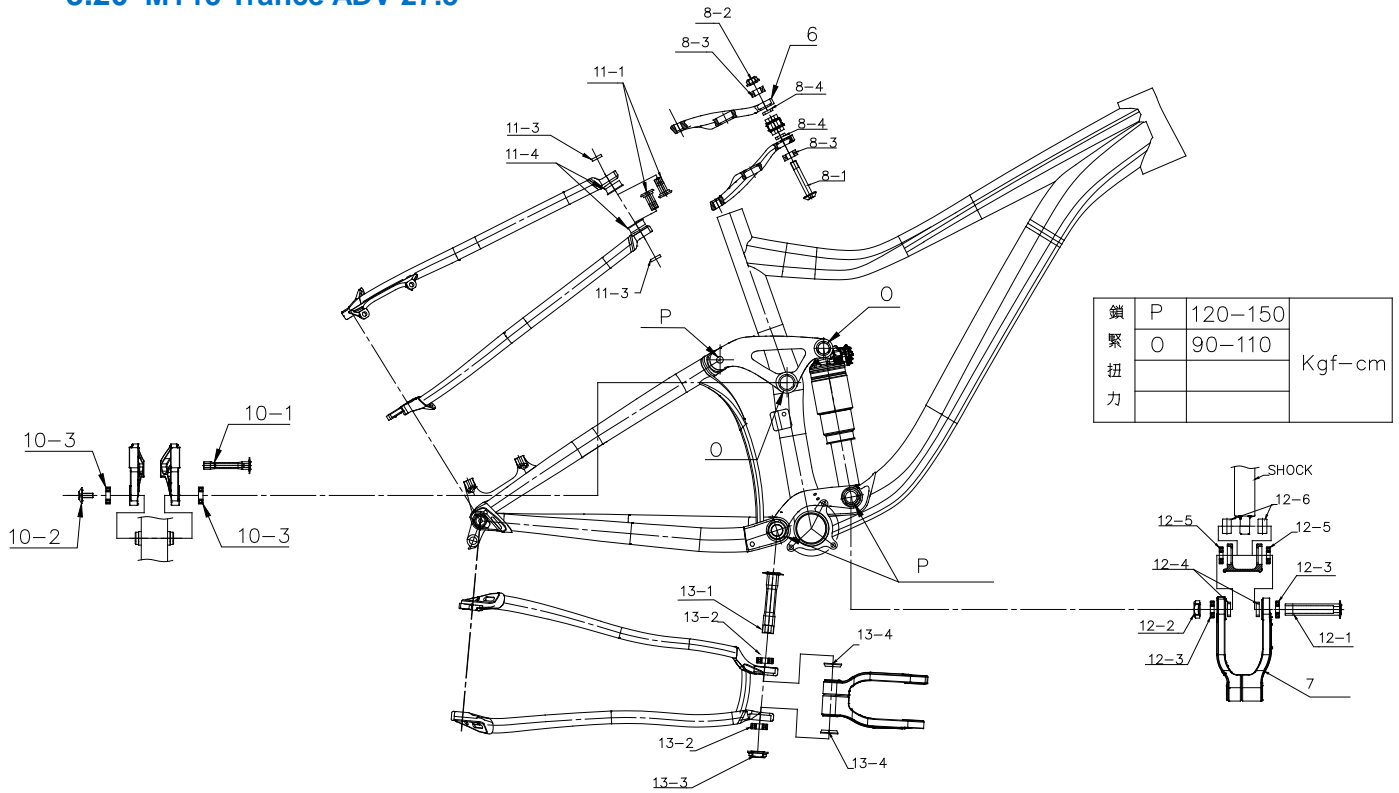
3.19 MY15 Trance & Intrigue



| Part | Ref. | TRANCE 27.5 1 | TRANCE 27.5 2 | TRANCE 27.5 3 | TRANCE 27.5 4 | TRANCE SX 27.5 |
|-------------------------|-----------|----------------|----------------|----------------|----------------|----------------|
| Rock arm set | 6 | 1280GS834801A1 | 1280GS834801B1 | 1280GS834801C1 | 1280GS834801D1 | 1280GS834801E1 |
| Rock Arm bolts kit | 8+10+11 | 1280GS834603A1 | 1280GS834603A1 | 1280GS834603A1 | 1280GS834603A1 | 1280GS834603A1 |
| Rock arm kit | 6+8+10+11 | 1280GS834802A1 | 1280GS834802B1 | 1280GS834802C1 | 1280GS834802D1 | 1280GS834802E1 |
| Lower linkage unit | 7 | 1280GS834804A1 | 1280GS834804B1 | 1280GS834804C1 | 1280GS834804D1 | 1280GS834804E1 |
| Lower linkage bolts kit | 12+13 | 1280GS834606A1 | 1280GS834606A1 | 1280GS834606A1 | 1280GS834606A1 | 1280GS834606A1 |
| Lower linkage kit | 7+12+13 | 1280GS834805A1 | 1280GS834805B1 | 1280GS834805C1 | 1280GS834805D1 | 1280GS834805E1 |
| Rear shock bolts kit | 8+12 | 1280GS834607A1 | 1280GS834607A1 | 1280GS834607A1 | 1280GS834607A1 | 1280GS834607A1 |
| Pivot bolt kit | 11+13 | 1280GS834808A1 | 1280GS834808A1 | 1280GS834808A1 | 1280GS834808A1 | 1280GS834808A1 |

| Part | Ref. | Intrigue 27.5 1 | Intrigue 27.5 2 |
|-------------------------|-----------|-----------------|-----------------|
| Rock arm set | 6 | 1280GS834901A1 | 1280GS834901B1 |
| Rock Arm bolts kit | 8+10+11 | 1280GS834903A1 | 1280GS834903B1 |
| Rock arm kit | 6+8+10+11 | 1280GS834902A1 | 1280GS834902B1 |
| Lower linkage unit | 7 | 1280GS834904A1 | 1280GS834904B1 |
| Lower linkage bolts kit | 12+13 | 1280GS834906A1 | 1280GS834906B1 |
| Lower linkage kit | 7+12+13 | 1280GS834905A1 | 1280GS834905B1 |
| Rear shock bolts kit | 8+12 | 1280GS834907A1 | 1280GS834907B1 |
| Pivot bolt kit | 11+13 | 1280GS834908B1 | 1280GS834908C1 |

3.20 MY15 Trance ADV 27.5



| Part | Ref. | TRANCE AD 27.5 0 | TRANCE AD 27.5 1 | TRANCE AD 27.5 2 | TranceAD27.5 |
|-------------------------|-----------|------------------|------------------|------------------|----------------|
| Rock arm set | 6 | 1280GS831101A1 | 1280GS831101B1 | 1280GS831101C1 | 1280GS831101D1 |
| Rock Arm bolts kit | 8+10+11 | 1280GS831003A1 | 1280GS831003A1 | 1280GS831003A1 | 1280GS831003A1 |
| Rock arm kit | 6+8+10+11 | 1280GS831102A1 | 1280GS831102B1 | 1280GS831102C1 | 1280GS831102D1 |
| Lower linkage unit | 7 | 1280GS831104A1 | 1280GS831104B1 | 1280GS831104C1 | 1280GS831104D1 |
| Lower linkage bolts kit | 12+13 | 1280GS834606A1 | 1280GS834606A1 | 1280GS834606A1 | 1280GS834606A1 |
| Lower linkage kit | 7+12+13 | 1280GS831105A1 | 1280GS831105B1 | 1280GS831105C1 | 1280GS831105D1 |
| Rear shock bolts kit | 8+12 | 1280GS834607A1 | 1280GS834607A1 | 1280GS834607A1 | 1280GS834607A1 |
| Pivot bolt kit | 11+13 | 1280GS834808A1 | 1280GS834808A1 | 1280GS834808A1 | 1280GS834808A1 |