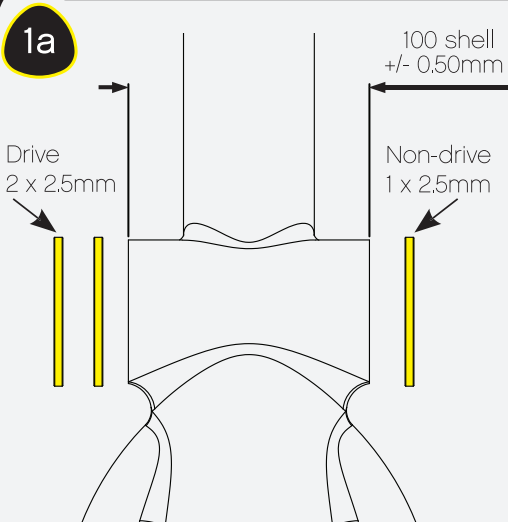
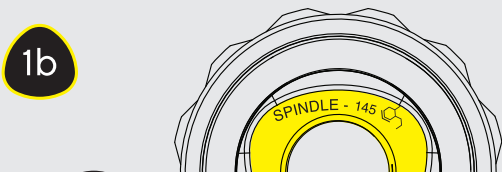


## -BB Spacers Needed- 100mm BB Shells



Start off clean.  
Clean and inspect BB shell.  
If installing on a new frame have  
your LBS face the BB shell to  
ensure both faces are parallel.

1a) Determine the number of  
spacers for your shell width.



1b) 100mm BB shells require the  
145mm spindle crankset.



100 Shell - 145 Spindle

e\*thirteen components



405 East D St. Ste.C  
Petaluma, CA 94952  
1.800.801.9936