

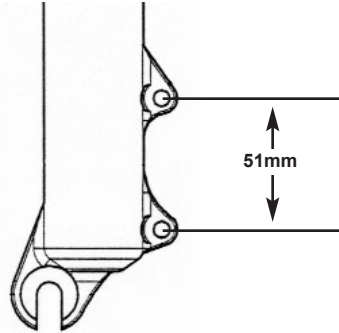


# Disc Brake Fit Info

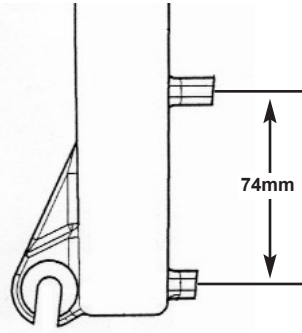
## General Information:

### Forks

Avid Disc brakes are designed to fit the current International Standard (I.S.) mounting specifications. For front brakes, the fork will have a 51mm center to center mounting tab and axle spacing of 100mm.

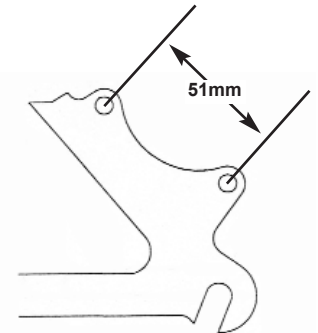


When being used with the standard rotor size (165mm for 2001 brakes and 160mm for 2002 and newer) removal of the I.S. Bracket allows the brake to be mounted on a 74mm Manitou Post Mount.



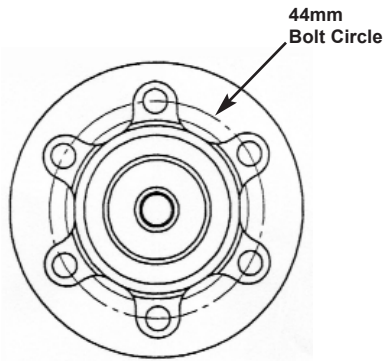
### Frames

International Standard rear frame mounts will be 51mm center to center and be mounted on the seatstay.

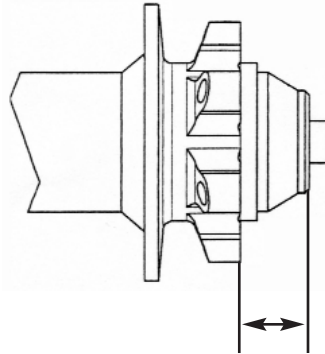


### Hubs

Hubs need to have the International Standard 6 bolt, 44mm bolt circle mounting flange.



The hub flange off-set for the front is 10.16mm and the rear is 15.27mm



10.16mm +/- .1 Front  
15.27mm +/- .1 Rear

## Specifics:

### Frame Fit

| Mount                        | Rotor Size      | Compatibility  |
|------------------------------|-----------------|--|
| I.S. Mount on seatstay       | 160mm           | <ul style="list-style-type: none"> <li>Most. Some pre-2001 frames require a rotor smaller than 160mm. Check with the frame manufacturer.</li> </ul>  |
|                              | 185mm and 203mm | <ul style="list-style-type: none"> <li><b>May</b> be compatible with your frame with the use of a different caliper mounting bracket. Check with the frame manufacturer to ensure proper clearance for an oversized rotor. Avid offers these brackets and they are available through your local bike shop.</li> </ul>  |
| 22mm Post Mount on chainstay | All             | <ul style="list-style-type: none"> <li>None. Avid Disc Brakes will not mount to this tab. The only way to mount a disc brake to this frame is to use a disc brake adapter like those from Therapy Components (<a href="http://www.therapycomponents.com">www.therapycomponents.com</a>) or Woodman Components (<a href="http://www.woodmancomponents.com">www.woodmancomponents.com</a>).</li> <li>Over-sized rotors <b>may</b> be compatible with your frame with the use of a different caliper mounting bracket. Check with the frame manufacturer to ensure proper clearance for an oversized rotor, and with the manufacturer of the disc brake adapter to see if it is recommended. Avid offers these brackets and they are available through your local bike shop.</li> </ul> |
| No Disc Tab                  | All             | <ul style="list-style-type: none"> <li>The only way to mount a disc brake to this frame is to use a disc brake adapter like those from Therapy Components (<a href="http://www.therapycomponents.com">www.therapycomponents.com</a>) or Woodman Components (<a href="http://www.woodmancomponents.com">www.woodmancomponents.com</a>).</li> <li>Over-sized (185mm and 203mm) rotors <b>may</b> be compatible with your frame with the use of a different caliper mounting bracket. Check with the frame manufacturer to ensure proper clearance for an oversized rotor, and with the manufacturer of the disc brake adapter to see if it is recommended. Avid offers these brackets and they are available through your local bike shop.</li> </ul>                                  |

## Fork Fit

| Fork      | Rotor Size      | Compatibility   |
|-----------|-----------------|---|
| Fox Forx  | 160mm           | <ul style="list-style-type: none"> <li>All.</li> </ul>  |
|           | 185mm and 203mm | <ul style="list-style-type: none"> <li>Avid's larger rotor sizes (185mm and 203mm) are compatible with Fox forks but require a different caliper mounting bracket. Avid offers these brackets and they are available through your local bike shop.<br/><b>Note:</b> Fork manufacturers often discourage the use of anything larger than a 185mm rotor on a standard quick-release.</li> </ul>   |
| Manitou   | 160mm           | <ul style="list-style-type: none"> <li>All with 74mm Post Mount. This includes Sherman with both standard quick-release and 20mm thru-axle.<br/><b>Note:</b> Some 2000 and earlier Manitou forks used a post mount that is 69mm center to center. <b>There is no bracket available to mount an Avid Disc Brake to these forks.</b></li> </ul>   |
|           | 185mm and 203mm | <ul style="list-style-type: none"> <li>Avid's larger rotor sizes (185mm and 203mm) are compatible with Manitou forks but require an additional caliper mounting bracket. Avid offers these brackets and they are available through your local bike shop.<br/><b>Note:</b> 185mm and 203mm rotors require a caliper mounting bracket that is specific to Avid's 2002 and later calipers. 2001 calipers are not compatible with 185mm and 203mm rotors on Manitou Forks.<br/><b>Note:</b> Fork manufacturers often discourage the use of anything larger than a 185mm rotor on a standard quick-release.</li> <li>An Avid Disc Brake with a 203mm rotor will fit the Dorado, but requires a specific bracket from Manitou.</li> </ul> |
| Marzocchi | 160mm           | <ul style="list-style-type: none"> <li>All with I.S. disc tabs and standard quick-release drop-outs.<br/><b>Note:</b> Avid does not offer a 160mm caliper mounting bracket for forks with QR20 or QR20 Plus thru-axles.<br/><b>Note:</b> Some 2000 and earlier Marzocchi forks use disc tabs that are not International Standard. <b>Avid does not offer brackets for any of these forks.</b></li> </ul>  |
|           | 185mm and 203mm | <ul style="list-style-type: none"> <li>Avid's larger rotor sizes (185mm and 203mm) are compatible with Marzocchi forks with standard quick-release drop-outs but require a different caliper mounting bracket. Avid offers these brackets and they are available through your local bike shop.<br/><b>Note:</b> Fork manufacturers often discourage the use of anything larger than a 185mm rotor on a standard quick-release.</li> <li>An Avid Disc Brake with a 203mm rotor is compatible with QR20 and QR20 Plus thru-axles but requires a different mounting bracket. Avid offers this bracket and it is available through your local bike shop.</li> </ul>   |
| RockShox  | 160mm           | <ul style="list-style-type: none"> <li>All with I.S. disc tabs.</li> </ul>  |
|           | 185mm and 203mm | <ul style="list-style-type: none"> <li>Avid's larger rotor sizes (185mm and 203mm) are compatible with standard quick-release and Tullio forks but require a different caliper mounting bracket. Avid offers these brackets and they are available through your local bike shop<br/><b>Note:</b> Fork manufacturers often discourage the use of anything larger than a 185mm rotor on a standard quick-release.</li> <li>An Avid Disc Brake with a 203mm rotor is compatible with Boxxer forks but requires a different mounting bracket. Avid offers this bracket and it is available through your local bike shop.</li> </ul>   |

***If your frame or fork is not listed, contact the manufacturer for disc brake compatibility information.***