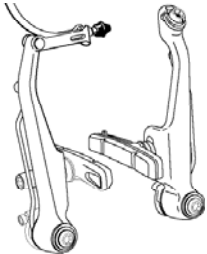


SINGLE DIGIT®7/SL

INSTALLATION AND OPERATION INSTRUCTIONS



Dec 2006 95-5115-000-000 Rev A

BRAKE INSTALLATION

IMPORTANT!

Only levers designated for direct-pull brakes such as the Speed Dial® Ultimate, Speed Dial® SL, 7 and FR-5 levers can be used with Single Digit® brakes. If you have any questions concerning compatibility of levers and brakes, contact your professional bike dealer.

Follow these instructions carefully. If you do not understand the instructions, have the installation done by a professional bike mechanic.

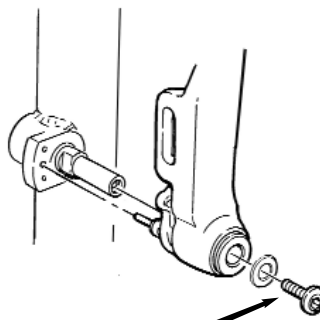


Installation Tools Needed:
3mm and 5mm hex wrenches, torque wrench and cable cutters.

1

MOUNT THE BRAKE

Brake bosses must be clean and free of debris. Grease bosses lightly. Align the brake pin with the center brake boss hole. Tighten the mounting bolt.

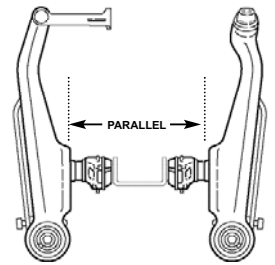


Tighten Mounting Bolt to:
5 - 7 Nm (43 - 61 in lb)

2

CHECK THE PAD SPACING

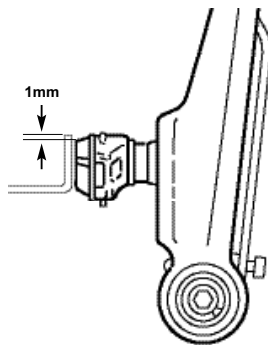
Check that the brake arms are approximately parallel when the brake pads are on the rim. There are 4 spacing options: 3mm, 4mm, 5mm, and 6mm. If the arms aren't parallel, check the chart on the back for corresponding washer configurations.



3

ALIGN THE PADS

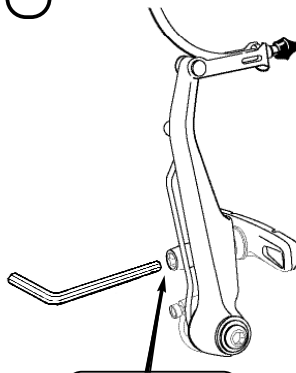
Next, adjust the brake pad to be parallel with the rim. The top of pad should be at 1mm below the top of the rim.



4

TIGHTEN THE PADS

With the pads aligned properly and flat against the rim, tighten the fixing nut to the specified torque.

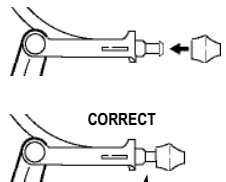


Tighten Pad Fixing Nut to:
6 - 8 Nm (52 - 69 in lb)

5

INSTALL THE BOOT

Insert the boot over the first lip of the noodle. This Avid noodle & boot is designed to be removed from the link without having to disengage the boot.



This boot is not designed to be pushed all the way up to the link.

IMPORTANT

Brakes are a safety-critical item on a bicycle. Improper set-up or use of brakes can result in loss of control or an accident, which could lead to a severe injury.

Avid brakes are a performance product that offer increased stopping power over standard brakes. It's your responsibility to learn and understand proper braking techniques. Consult the owner's manual for your bicycle and a professional bike dealer. Practice your riding and braking techniques on a flat and level surface prior to aggressive riding.

The effectiveness of braking is dependent on many conditions over which Avid has no control including the speed of the bicycle, type and condition of the riding surface, braking lever force, proper installation and maintenance of brakes, cables, levers, brake pads, the condition of the bike, weight of the rider, proper braking techniques, weather, terrain, and a variety of other factors.

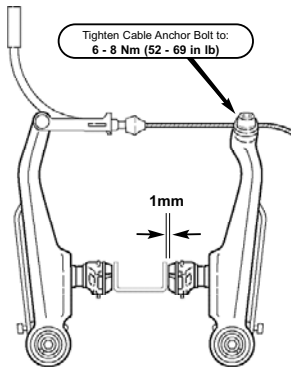
Avid brakes and levers are not intended for use on any motorized bicycle or vehicle. Any such use could result in a serious personal injury.

ALWAYS RIDE UNDER CONTROL.

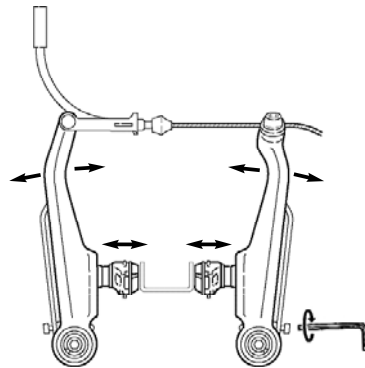
Remember, it takes longer to stop in wet conditions. To reduce the possibility of an accident and minimize trail erosion, you should avoid locking-up your wheels.

1D SL/7-03/04

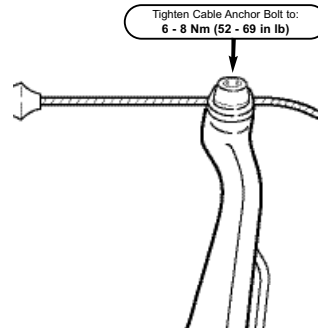
6 ANCHOR THE CABLE
Pull the cable tight enough to have clearance of 1 - 1.5mm, per side, between the rim and the brake pads. Tighten the cable anchor bolt to the specified torque.



7 CENTER THE BRAKE
Center the brake by adjusting the spring tension adjusters. Turn each spring adjuster screw with a 3mm hex wrench clockwise to increase spring tension.

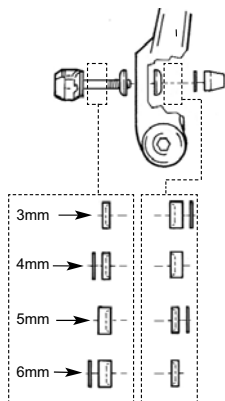


8 TEST THE SYSTEM
With two fingers, squeeze the brake lever firmly about a dozen times to ensure the cables are seated properly and operate smoothly. Make sure the cable has not slipped at the cable anchor bolt. Re-torque if necessary.



Pad Alignment

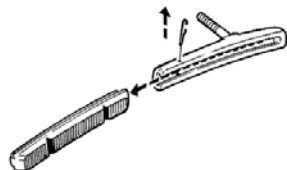
As noted in step 2, there are 4 pad spacing options. Use one of the following configurations to ensure the brake arms are approximately parallel:



RW2™ Pad Replacement

To ensure proper fit, always use Avid Rim Wrangler 2™ (RW2) replacement pads.

1. Remove the locking pin from the holder and slide the old insert out. Make sure the holder is free of any debris.



2. Slide the new brake pad in **ALL THE WAY** until it is fully aligned with the forward edge of the brake pad holder. Push the locking pin in until it is fully engaged.

Troubleshooting / Tech Tips

1. If you use lighter spring tension at the brake, you will use less hand energy when operating the brake lever. Lighter spring tension will also keep the brake better centered.

2. Avid Single Digit brakes are designed to use the supplied Avid noodle and boot. The use of any other noodle or boot could cause brake failure and lead to serious injury. Doing so will void the warranty.

3. Brake pad condition plays an important role in the performance of brakes, check them before every ride. If you have any question about their condition, consult your bicycle dealer or replace them.

SRAM CORPORATION WARRANTY

Extent of Limited Warranty
SRAM warrants its products to be free from defects in materials or workmanship for a period of two years after original purchase. This warranty only applies to the original owner and is not transferable. Claims under this warranty must be made through the retailer where the bicycle or the SRAM component was purchased. Original proof of purchase is required.

Local law
This warranty statement gives the customer specific legal rights. The customer may also have other rights which vary from state to state (USA), from province to province (Canada), and from country to country elsewhere in the world.

To the extent that this warranty statement is inconsistent with the local law, this warranty shall be deemed modified to be consistent with such law, under such local law, certain disclaimers and limitations of this warranty statement may apply to the customer. For example, some states in the United States of America, as well as some governments outside of the United States (including provinces in Canada) may:

- a. Preclude the disclaimers and limitations of this warranty statement from limiting the statutory rights of the consumer (e.g. United Kingdom).
- b. Otherwise restrict the ability of a manufacturer to enforce such disclaimers or limitations.

Limitations of Liability
To the extent allowed by local law, except for the obligations specifically set forth in this warranty statement, in no event shall SRAM or its third party suppliers be liable for direct, indirect, special, incidental, or consequential damages.

Limitations of Warranty
• This warranty does not apply to products that have not been incorrectly installed and/or adjusted according to the respective SRAM technical installation manual. The SRAM installation manuals can be found online at www.sram.com, www.rockshox.com or www.avidbike.com.
• This warranty does not apply to damage to the product caused by a crash, impact, abuse of the product, non-compliance with manufacturers specifications of usage or any other circumstances in which the product has been subjected to forces or loads beyond its design.

- This warranty does not apply when the product has been modified.
- This warranty does not apply when the serial number or production code has been deliberately altered, defaced or removed.
- This warranty does not apply to normal wear and tear. Wear and tear parts are subject to damage as a result of normal use, failure to service according to SRAM recommendations and/or riding or installation in conditions or applications other than recommended.

Wear and tear parts are identified as:

- Dust seals
- Bushings
- Air sealing o-rings
- Glide rings
- Rubber moving parts.
- Foam rings
- Rear shock mounting hardware and main seals
- Stripped threads/bolts (aluminum, titanium, magnesium or steel)
- Upper tubes (astonions)
- Brake sleeves
- Brake pads
- Chains
- Sprockets
- Cassettes
- Shifter and brake cables (inner and outer)
- Handlebar grips
- Shifter grips
- Jockey wheels
- Disc brake rotors
- Tools

• This warranty shall not cover damages caused by the use of parts of different manufacturers.

• This warranty shall not cover damages caused by the use of parts that are not compatible, suitable and/or authorized by SRAM for use with SRAM components.



SRAM Corporation
1333 North Kingsbury • 4th Floor • Chicago, Illinois 60622
1-312-664-8800 • fax 1-312-664-8826
Website: www.avidbike.com Email: tech@avidbike.com