



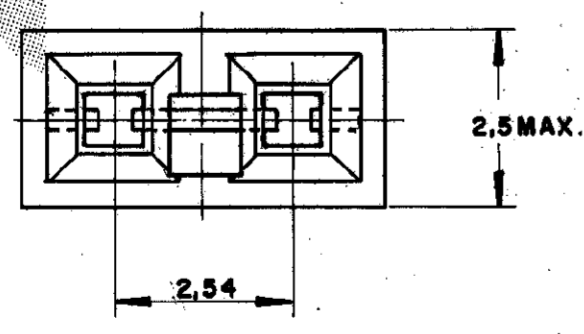
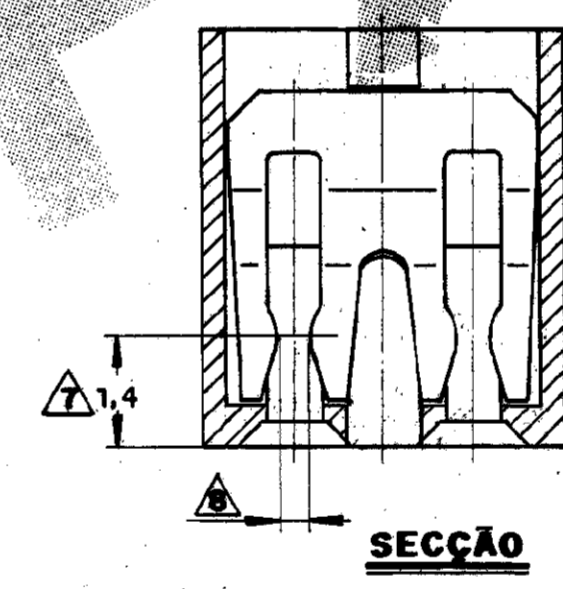
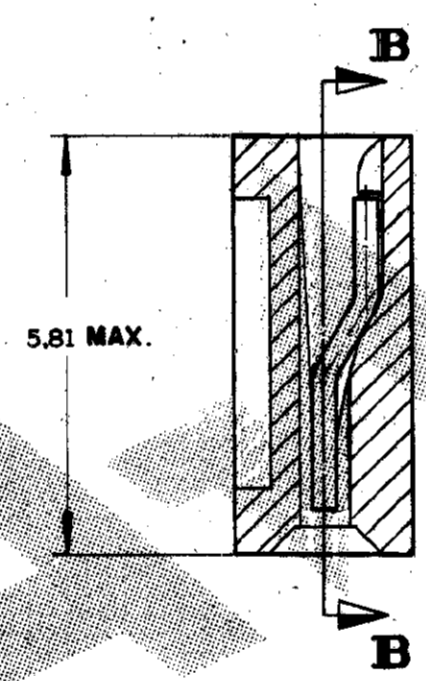
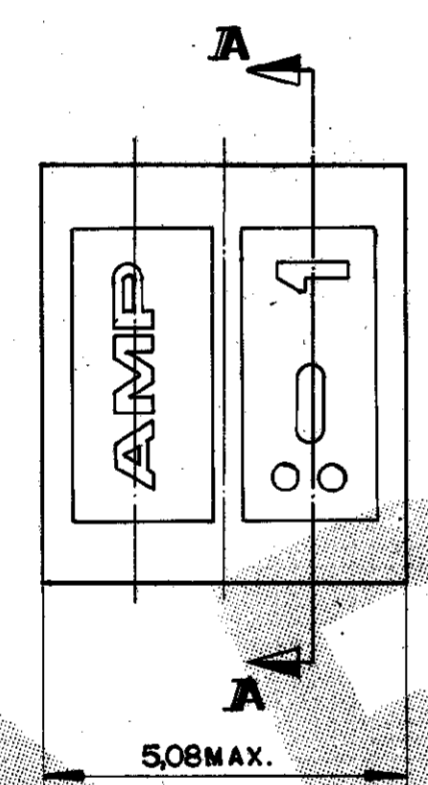
C 881545

DO NOT SCALE  
DIMENSIONS IN mm.

**METRIC**

3rd ANGLE PROJECTION

**SECÇÃO A-A**



6		2-	- 8
5		2-	- 7
4		2-	- 6
3	3	2-	881 545 - 5
6		1-	- 8
5		1-	- 7
4		1-	- 6
3	2	1-	- 5
6		1-	- 4
5		1-	- 3
4		1-	- 2
3	1	1-	881 545 - 1

OTHER TREATMENT	FINISH	MATERIAL	PART NUMBER
<b>CUSTOMER DWG</b> for REFERENCE ONLY			
<small>THIS DRAWING IS UNPUBLISHED. RELEASED FOR PUBLICATION 19            C. COPYRIGHT 19 BY AMP DO BRASIL LTDA S.P. - ALL INTERNATIONAL RIGHTS            RESERVED. AMP PRODUCTS MAY BE COVERED BY U.S. AND FOREIGN PATENTS AND/OR PATENTS PENDING.            TOLERANCES UNLESS OTHERWISE STATED:            DEC. ±0,5            ANGLES ±1°</small>			
<small>DR. 11-09-88</small> <small>CHK. 08-11-88</small> <small>DES. 29 JUL 03</small>		<small>INS. DIA. RANGE</small> <small>WIRE RANGE</small> <small>SCALE</small>	
<small>REVISED EC L800014003 H.C.</small>		<b>AMP</b> AMP do BRASIL LTDA. São Paulo, Brasil	
<small>ISS REVISION RECORD</small>		<small>DESCRIPTION</small> <b>AMP SHUNT</b> <b>LOW PROFILE CONNECTOR ASS'Y</b>	
<small>DR. CHK. DATE</small>		<small>DWG NO</small> <b>A2</b> <b>C 881545</b> <small>SHEET 2 OF 2</small>	

SEE SHEET 1 OF 2