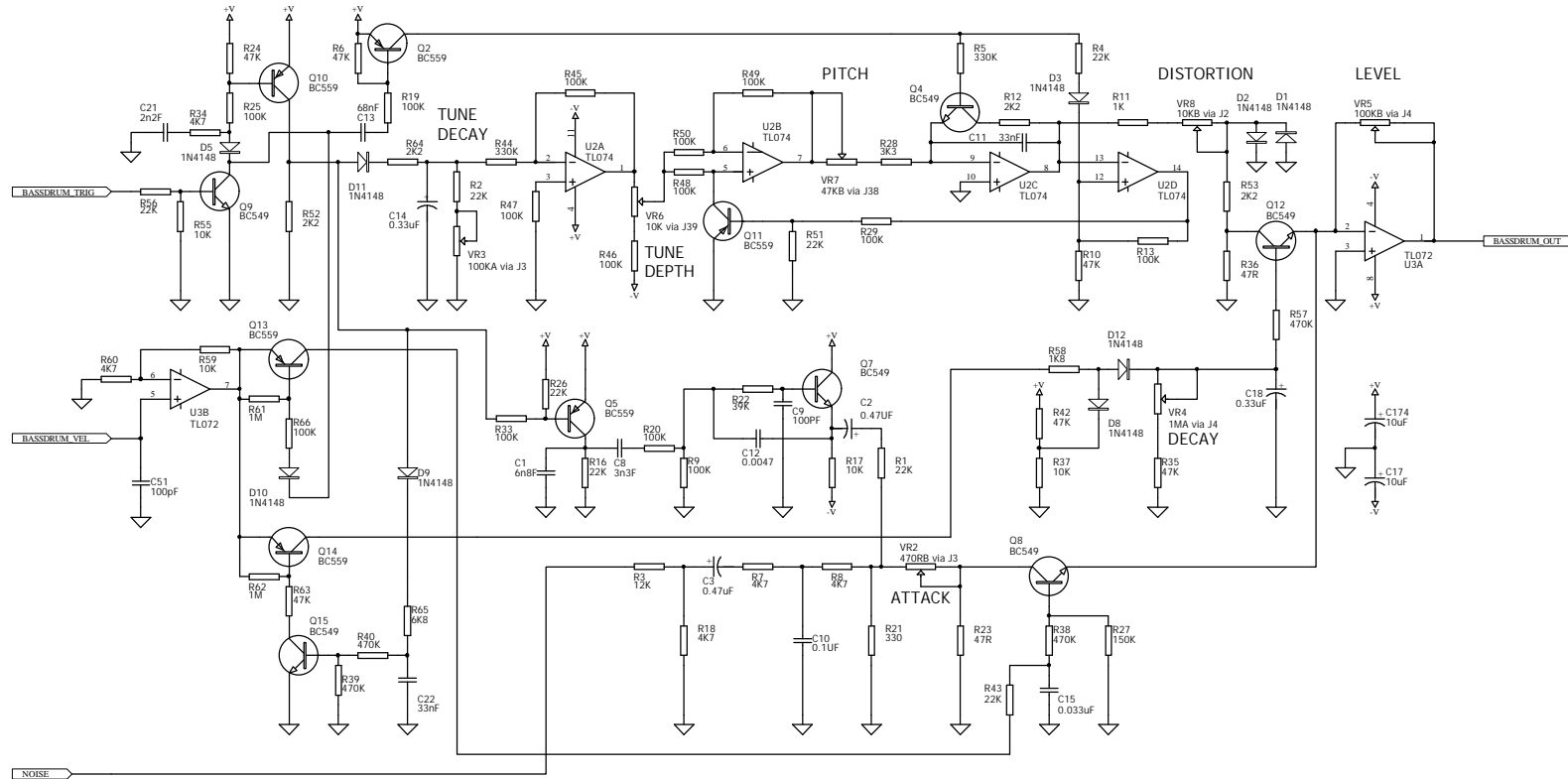


9090 - BASS DRUM

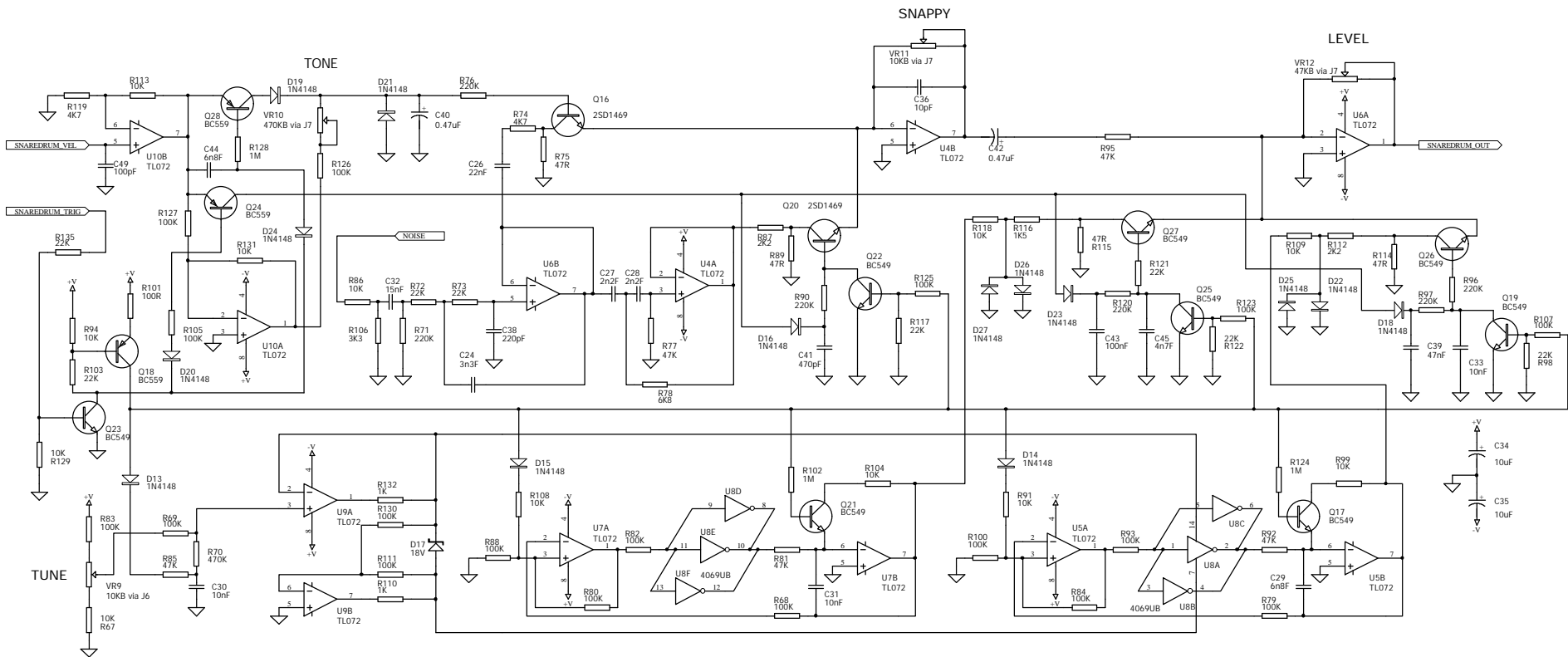


Diodes are 1N4148 or equivalent

All NPN transistors are BC549

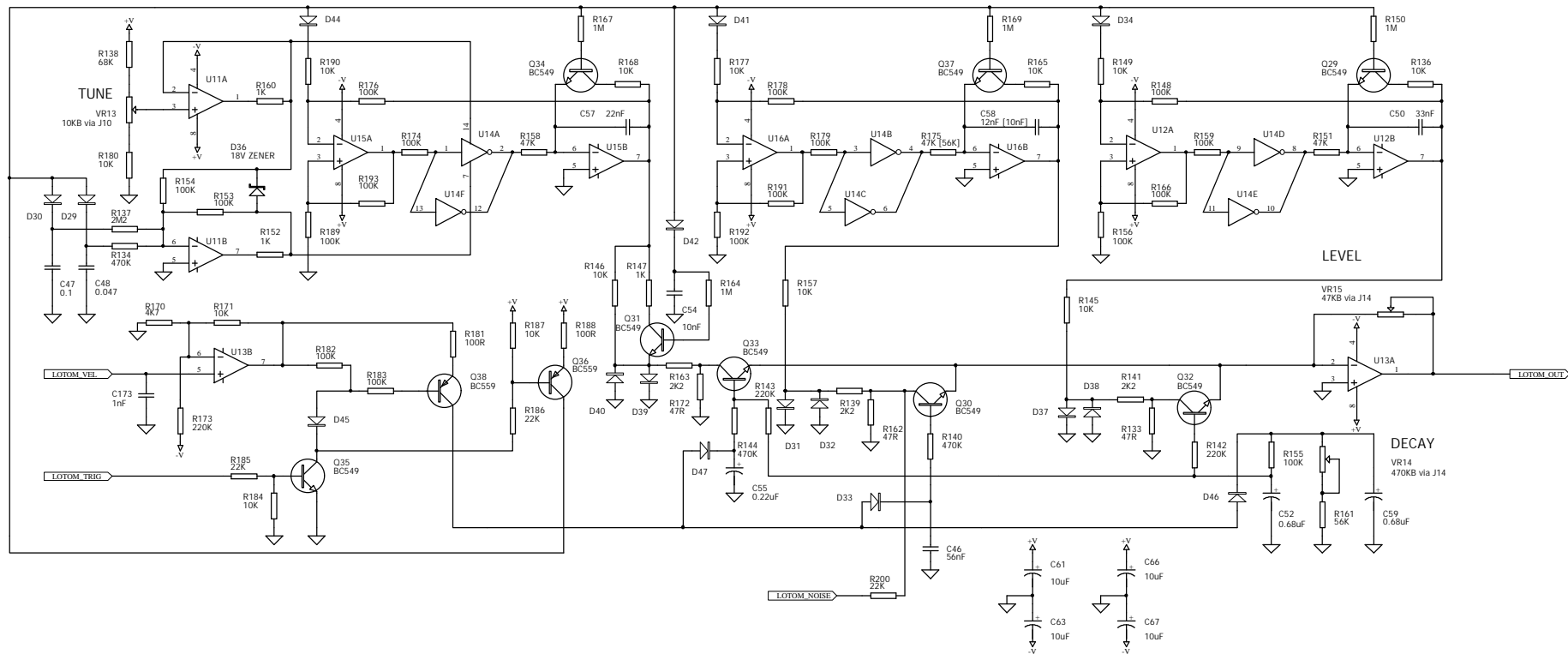
All PNP transistors are BC559

9090 - SNARE DRUM



Diodes are 1N4148 or equivalent
 All NPN transistors are BC549, unless otherwise stated
 All PNP transistors are BC559

9090 - LOW TOM



U11,12,13,15,16: TL072

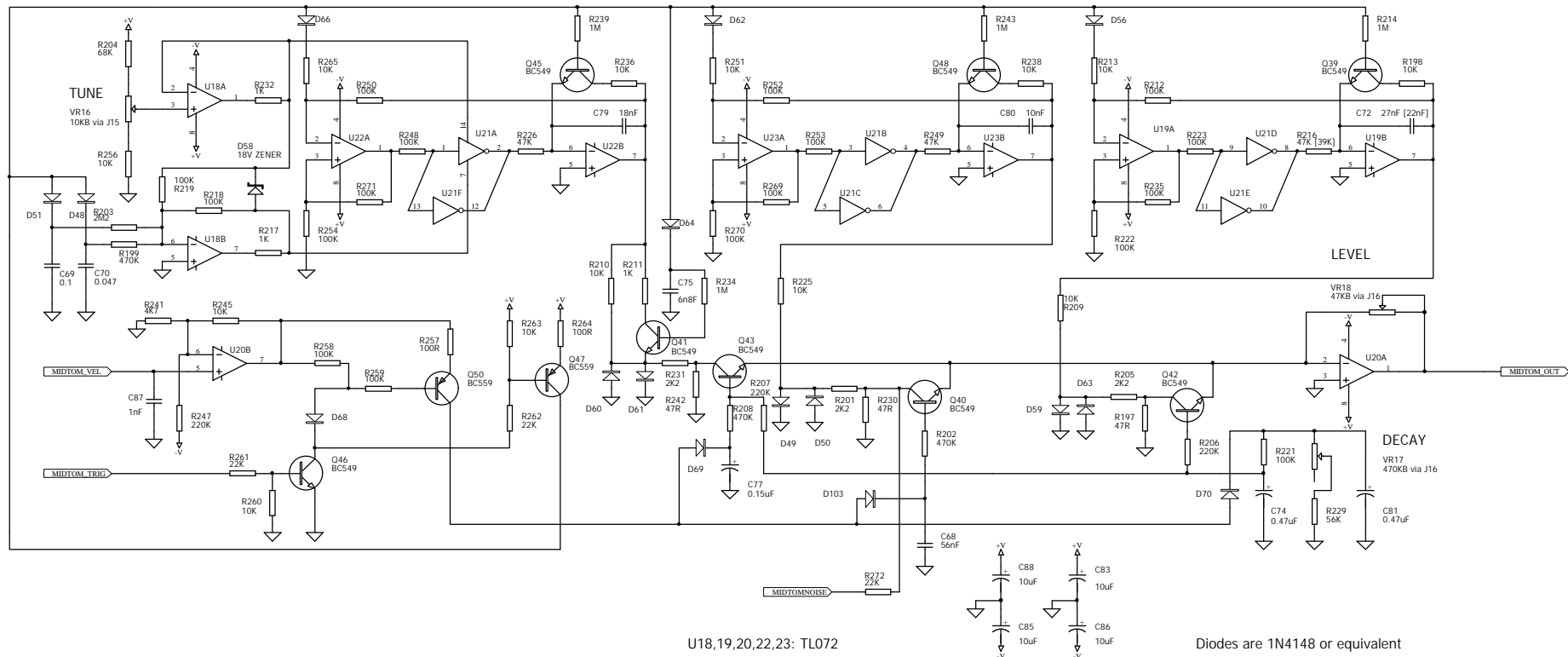
U14: 4069UBP

Diodes are 1N4148 or equivalent

All NPN transistors are BC549

All PNP transistors are BC559

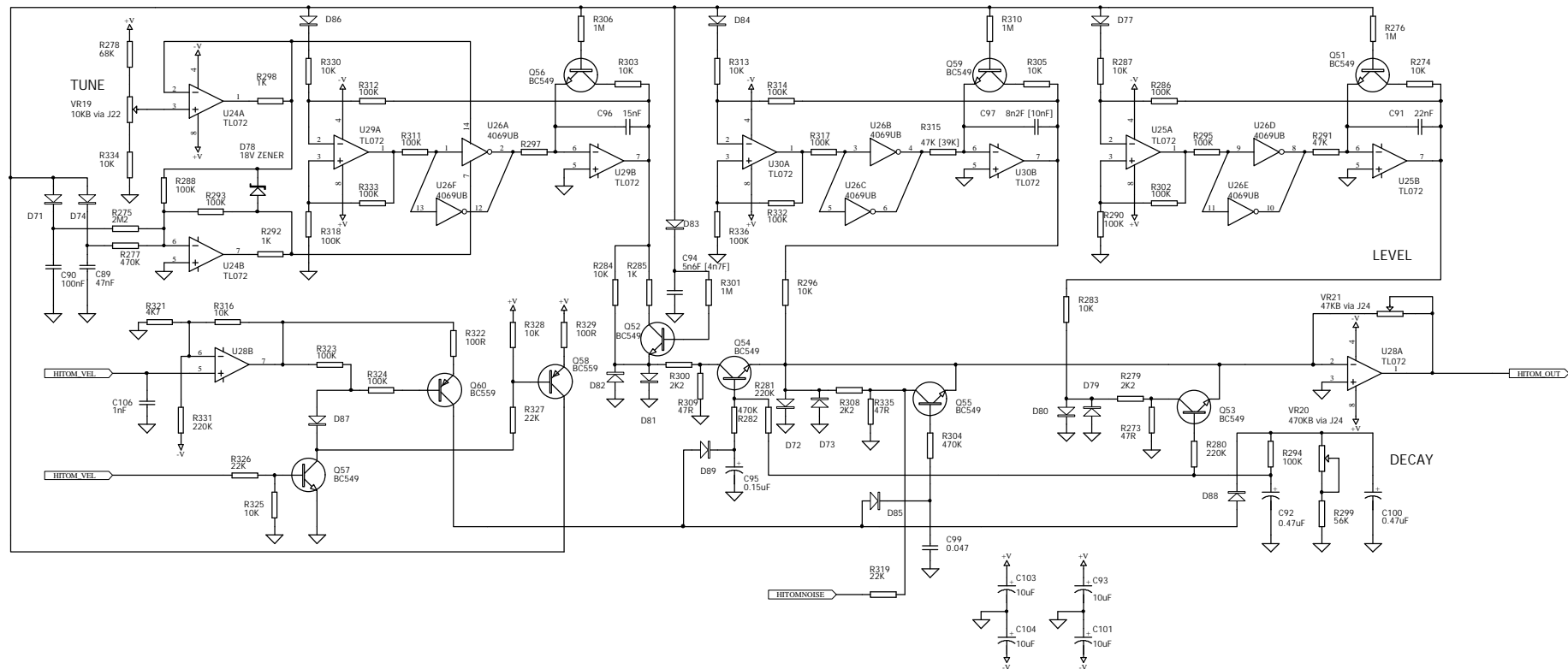
9090 - MID TOM



U18,19,20,22,23: TL072
 U21: 4069UBP

Diodes are 1N4148 or equivalent
 All NPN transistors are BC549
 All PNP transistors are BC559

9090 - HI TOM



U24,25,28,29,30: TL072

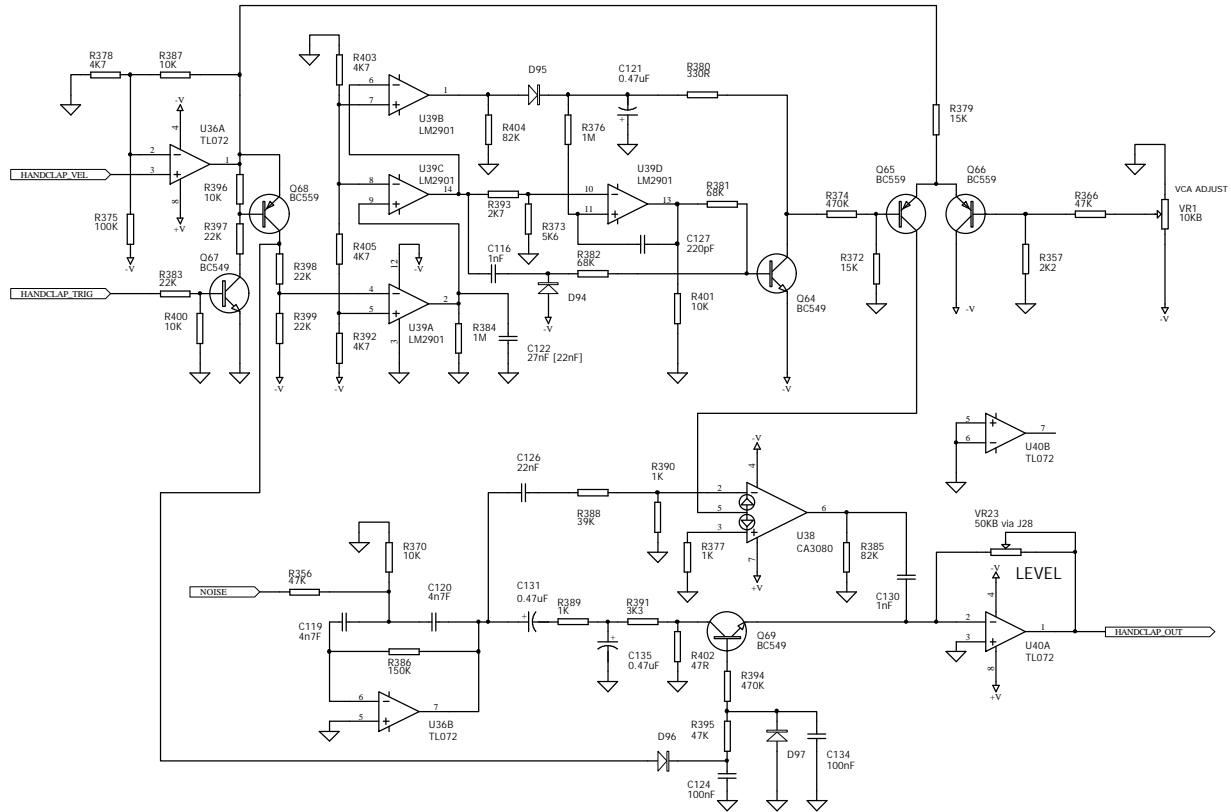
U26: 4069UBP

Diodes are 1N4148 or equivalent

All NPN transistors are BC549

All PNP transistors are BC559

9090 - HAND CLAP

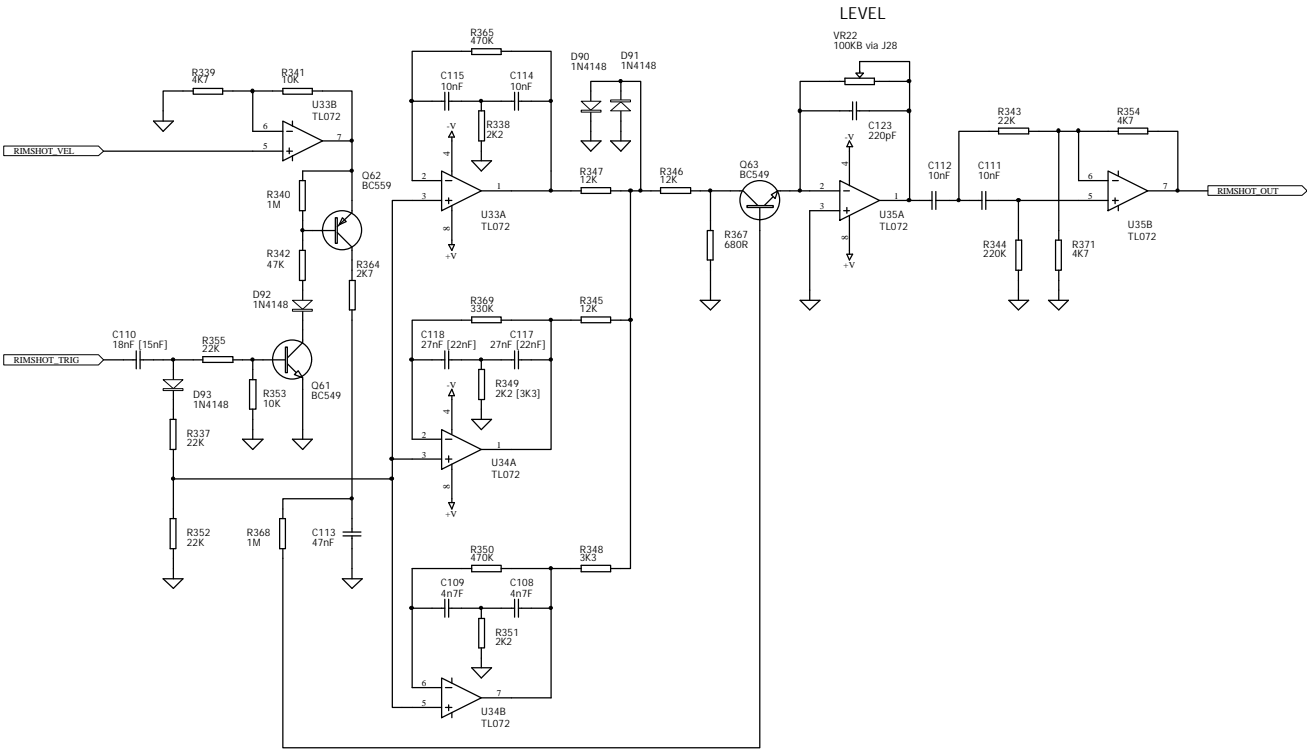


Diodes are 1N4148 or equivalent

All NPN transistors are BC549

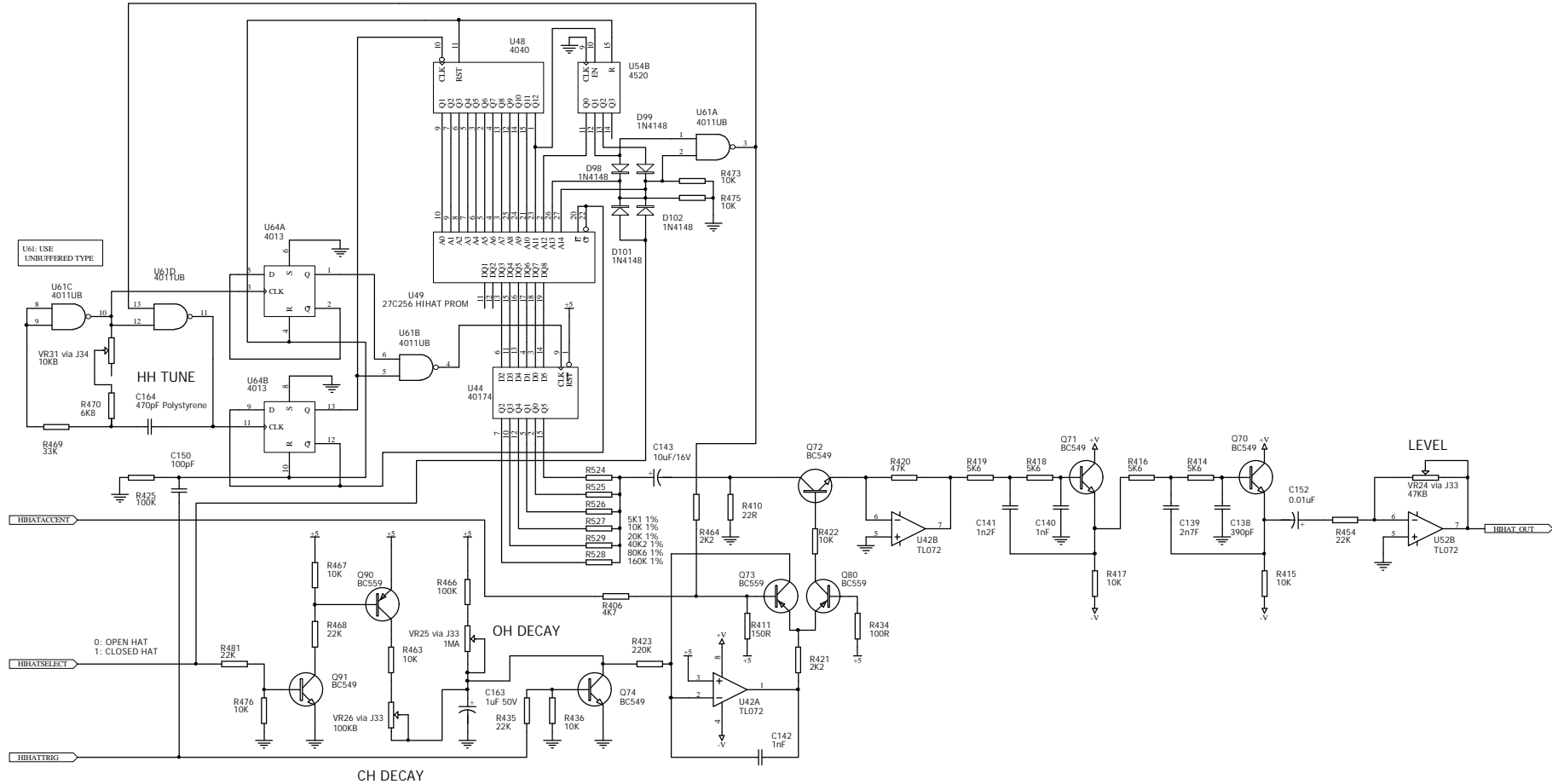
All PNP transistors are BC559

9090 - RIM SHOT



Diodes are 1N4148 or equivalent
 All NPN transistors are BC549
 All PNP transistors are BC559

9090 - HI HATS

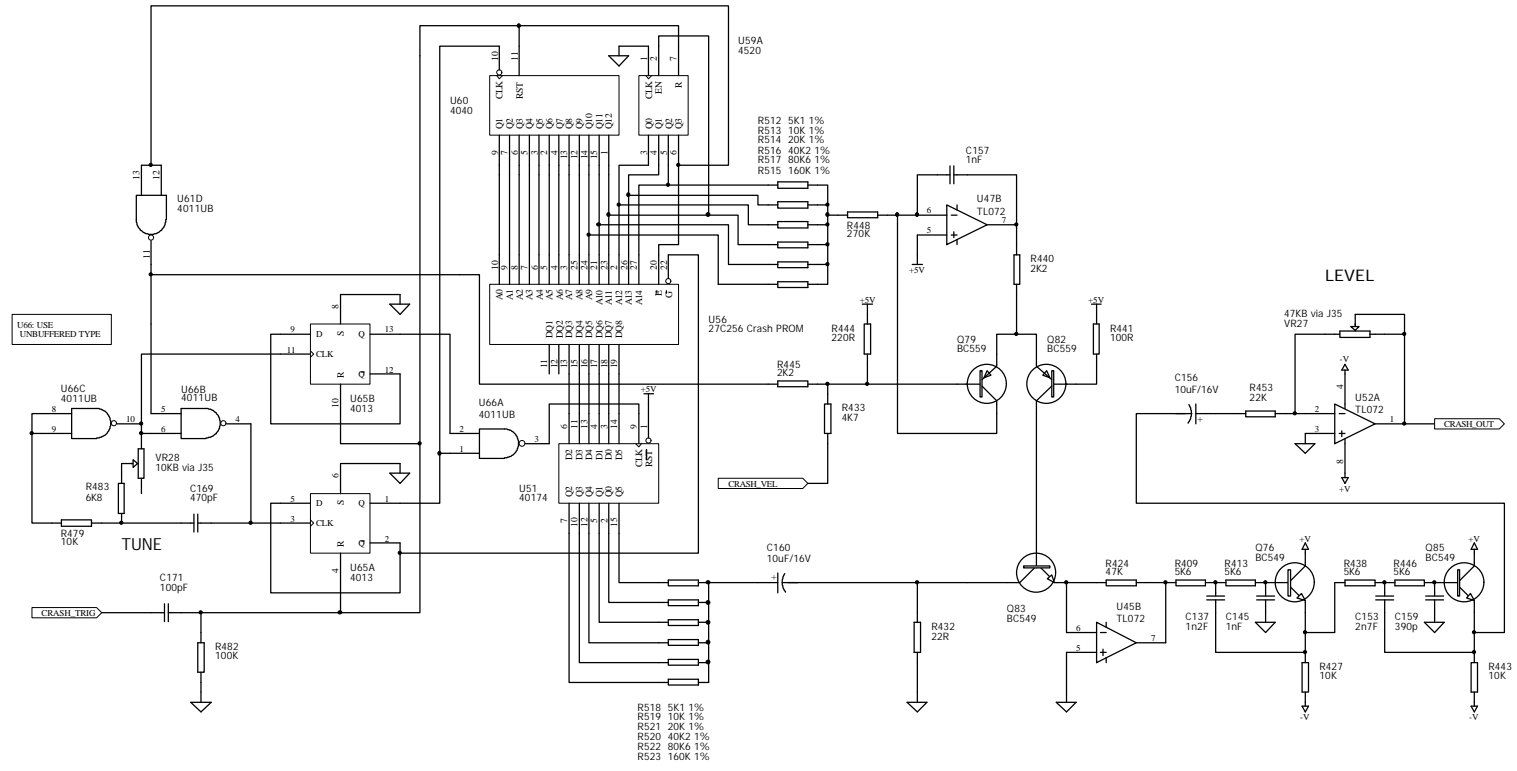


Diodes are 1N4148 or equivalent

All NPN transistors are BC549

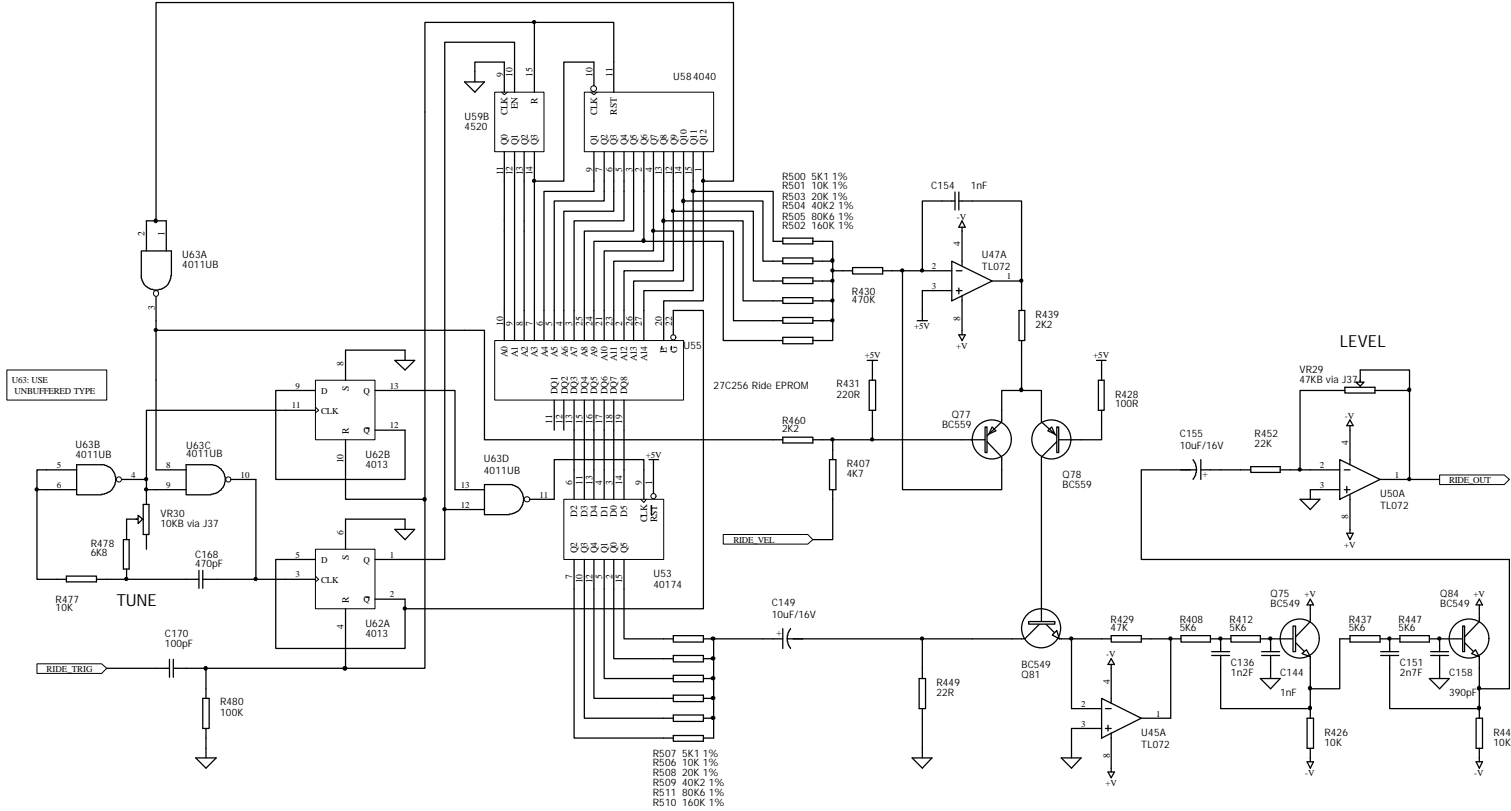
All PNP transistors are BC559

9090 - CRASH CYMBAL



Diodes are 1N4148 or equivalent
 All NPN transistors are BC549
 All PNP transistors are BC559

9090 - RIDE CYMBAL



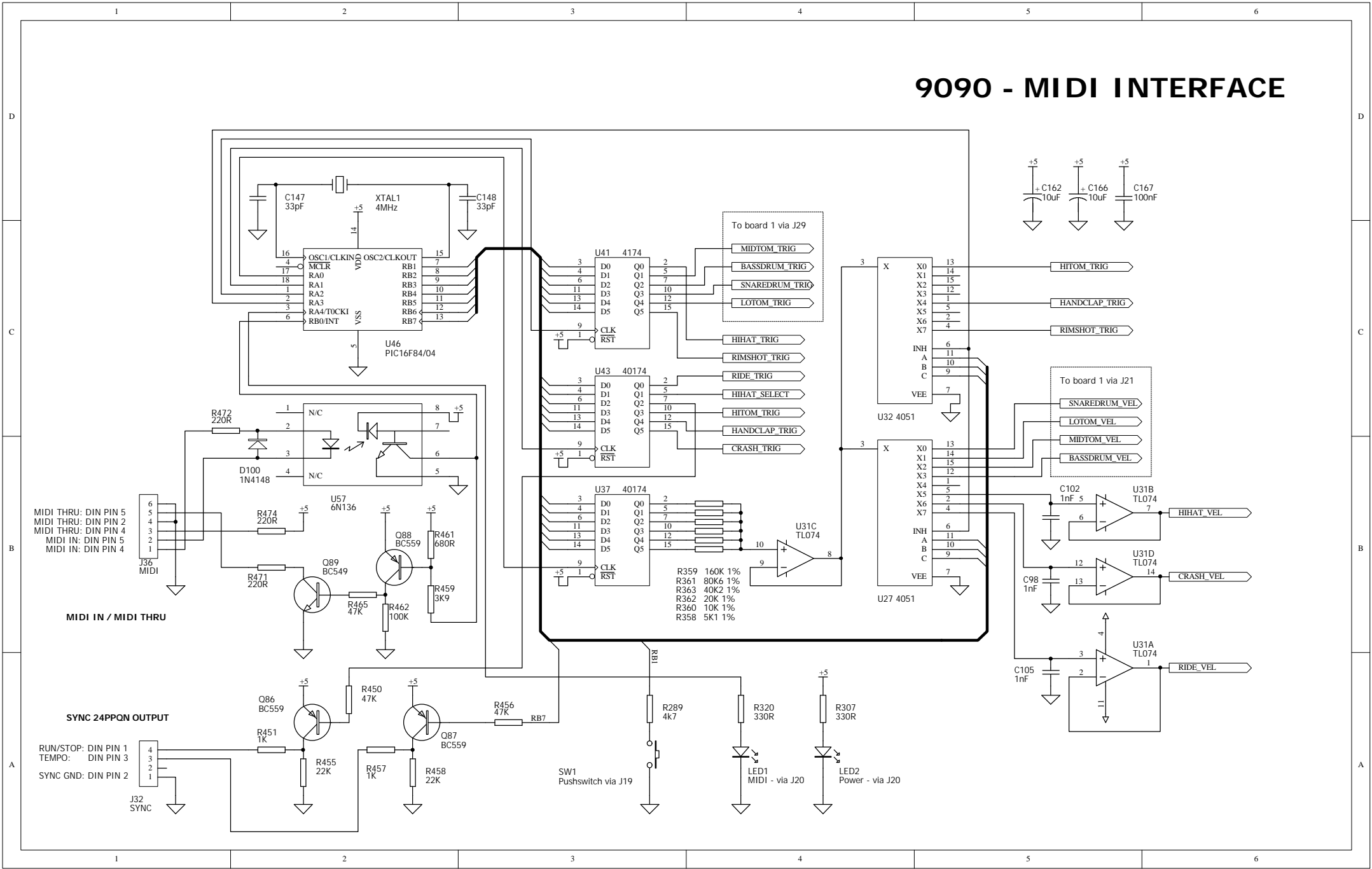
U63- USE UNBUFFERED TYPE

TUNE

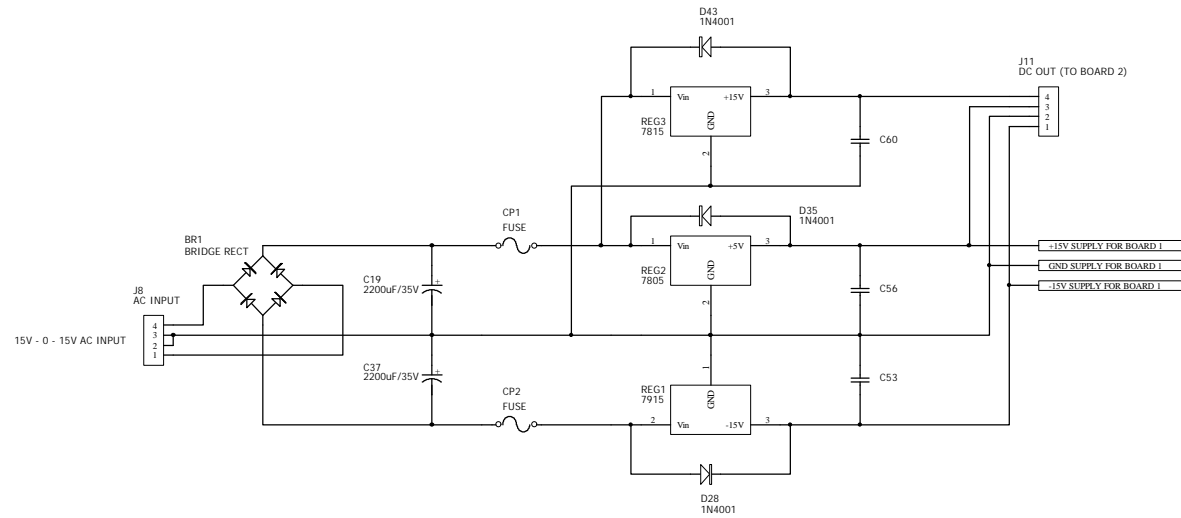
LEVEL

Diodes are 1N4148 or equivalent
 All NPN transistors are BC549
 All PNP transistors are BC559

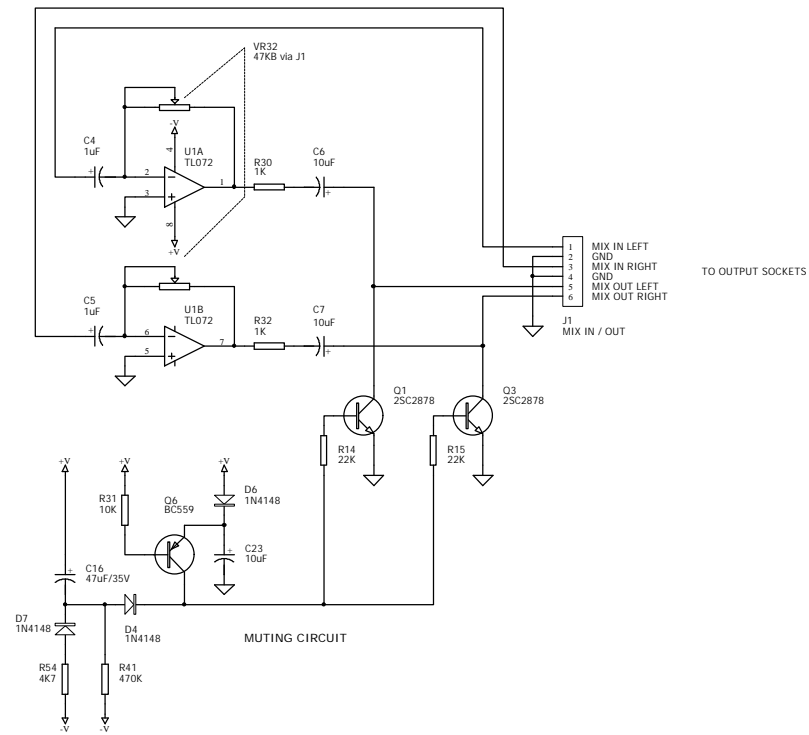
9090 - MIDI INTERFACE



9090 - POWER SUPPLY



9090 - MIX AMPLIFIER / MUTING



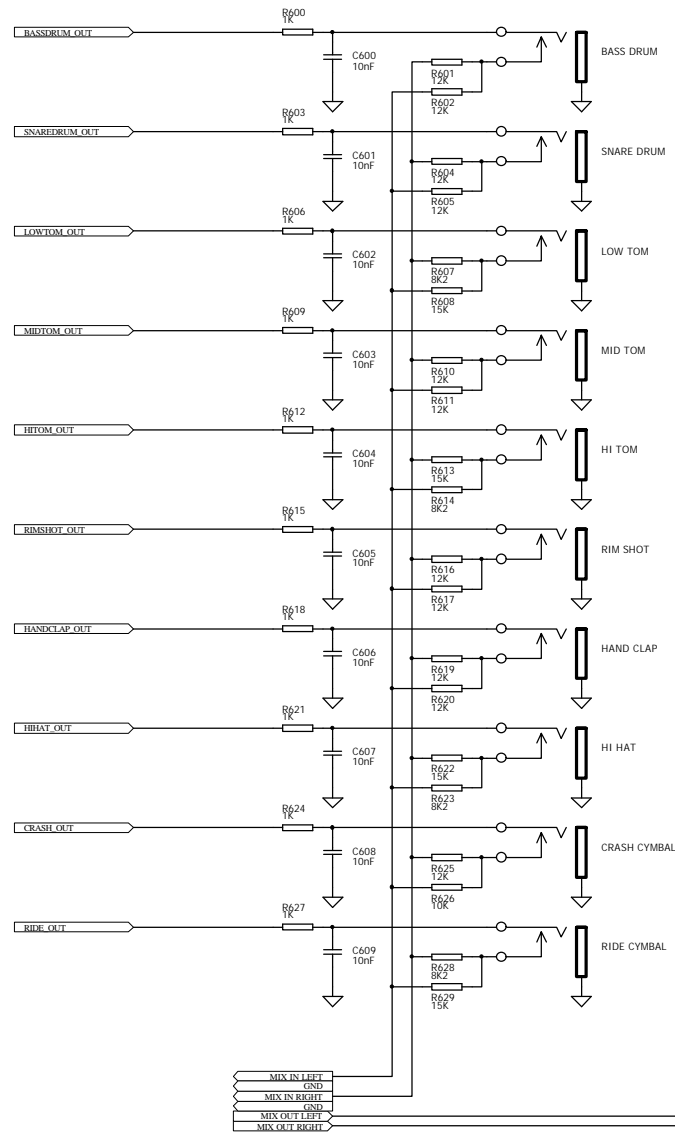
Diodes are 1N4148 or equivalent

All NPN transistors are BC549 unless otherwise stated

All PNP transistors are BC559

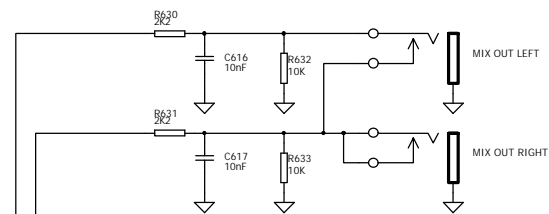
9090 - AUDIO OUTPUT SOCKETS

INDIVIDUAL DRUM OUTPUTS
WIRED FROM J9 (BOARD 1)
AND FROM J26 (BOARD 2)



PASSIVE COMPONENTS ARE MOUNTED DIRECTLY TO JACK SOCKETS.

WIRING TO J1 (MIX IN / OUT)



D
C
B
A

D
C
B
A

